



Alcatel 4400 Release 6.0, using E1 QSIG to Cisco Unified Communications Manager release 6.0

July 27, 2007 Initial Version

Table of Contents

Introduction	1
Network Topology.....	2
Limitations.....	2
System Components	2
Hardware Requirements	2
Software Requirements	3
Features	3
Features Supported.....	3
Features Not Supported	4
Configuration.....	4
Configuring the Alcatel 4400 PBX.....	4
Configuring the Cisco Unified Communication Manager.....	54
Configuring the Cisco 3825-E1 Gateway.....	55
Configuring the Cisco 3825 Router.....	106
Configuring the PSTN Cisco 1700 Router	110
Acronyms	113

Introduction

This is an Application Note for connectivity between an Alcatel 4400 Release 6.0 PBX and Cisco Unified Communication Manager Release 6.0 using a Cisco 3825 voice gateway with MGCP and ISO QSIG protocol.

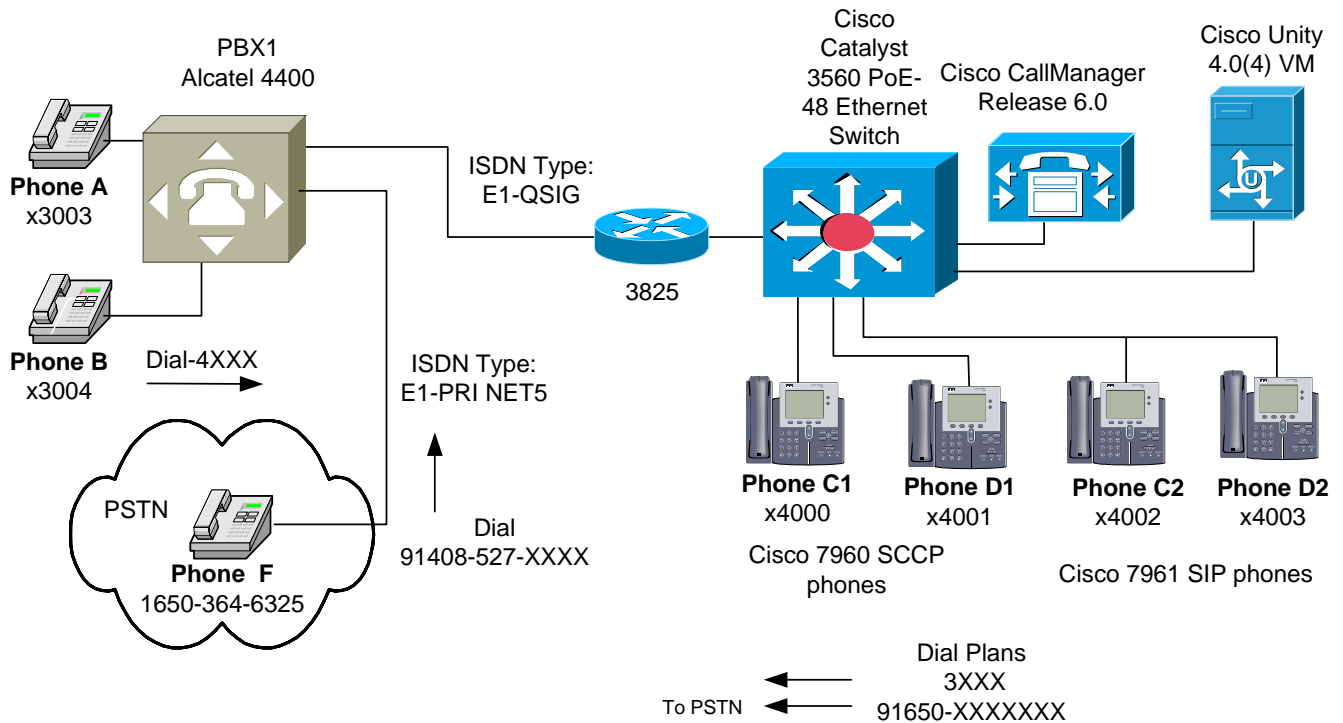
The network topology diagrams (Figures 1 and 2) show the test setup for end-to-end interoperability with Cisco Unified Communication Manager Release 6.0 connected to the PBX via the Cisco 3825 E1 QSIG link as MGCP gateway. A NM-HDV and VWIC-2MFT-E1 were used for the E1 QSIG interfaces. Calls were made to test basic call, caller ID, conference, transfer, forward, call back, reroute, MWI, and path replacement features.

Connectivity is achieved by using the QSIG ISDN switch type on the MGCP gateway with the Cisco Unified Communication Manager services parameter “QSIG variant” set to ISO, and ISO switch type on the Alcatel 4400 PBX.

This Application Note uses the Cisco 3825 voice gateway. However, the use of other Cisco voice gateways is also an option since CUCM QSIG implementation does not depend on the physical interface.

Network Topology

Figure 1. Basic Call Setup



Limitations

Basic Calls – Overlap

Connected number is sent from Cisco Unified Communication Manager, but not displayed on Alcatel phone when call is placed from PBX to IP phone.

Network/External Call Forward by Join

The Alcatel PBX does not support call forward by join. Instead, the Alcatel PBX performs a reroute.

MWI

Unfortunately, Cisco has not been able to validate MWI function in our labs because we do not have an internal voicemail system on our Alcatel PBX.

Cisco Unified Communication Manager can not be the message center PINX for stations on the Alcatel 4400 Release 6.0 PBX. This is because MWI across QSIG is not supported by the Alcatel 4400 Release 6.0 PBX.

System Components

Hardware Requirements

The following hardware is required:

- Cisco MCS 7800 Unified Communication Manager Appliance
- Cisco 3825 voice gateway
- Cisco 1700 voice gateway



NM-HDV

VWIC-2MFT-E1

VIC-2FXS

Analogue Phone Panasonic KX-TSC7

Cisco Unified IP phone 7940

Cisco Unified IP phone 7960

(2) Cisco Unified IP phone 7961G-GE

(2) Alcatel 4400 PBXs

(4) PRA2 trunk cards

(4) 4035 *Advanced Reflexes* digital phones

Software Requirements

The following software is required:

Cisco Unified Communication Manager Release 6.0

Alcatel 4400 software release 6.0

Cisco IOS Release 12.4(3a)

Features

This section lists new and changed features and features that are not supported.

Features Supported

Basic Call, ENBLOC

Basic Call, Overlap (see Limitations section for additional information)

Sending Alerting Name

Sending Busy Name

CLIP-Calling Line (Number) Identification Presentation

CLIR-Calling Line (Number) Identification Restriction

CNIP-Calling Name Identification Presentation

CNIR-Calling Name Identification Restriction

COLP-Connected Line (Number) Identification Presentation

COLR- Connected Line (Number) Identification Restriction

CONP-Connected Name Identification Presentation

CONR- Connected Name Identification Restriction

Tandem PSTN call

Consultation Transfer – Local

Consultation Transfer – Network/External

Blind Transfer – Local



Blind Transfer – Network/External

Call Forward Unconditional by Join – Local

Call Forward Unconditional by Join – Network/External (See Limitations section for details.)

Call Forward Busy by Join – Local

Call Forward Busy by Join – Network/External (See Limitations section for details.)

Call Forward No Reply by Join – Local

Call Forward No Reply by Join – Network/External (See Limitations section for details.)

Call Forward Unconditional by Reroute – Network/External

Call Forward Busy by Reroute – Network/External

Call Forward No Reply by Reroute – Network/External

Call Completion to Busy Subscriber (Call Back when Free)

Call Completion on No Reply (Call Back Next Used)

Path Replacement for Call Transfer by Join

Path Replacement for Trombone Connection (accomplished by consultation transfer)

Features Not Supported

Any Call Forward (CFU, CFB, CFNR) by join from PBX. PBX always performs a reroute.

Path Replacement for Call Diversion by Forward Switch

MWI (see Limitations section for details.)

Configuration

This section contains configuration menus and commands and describes configuration sequences and tasks.

Configuring the Alcatel 4400 PBX

1. System Software Release
2. Configure “ISO Function” System Parameter.
3. Configure Board.
4. Configure Digital Access
5. Configure PRI-ABC_F Trunk Group
6. Configure PSTN Trunk Group
7. Configure Remote Network
8. Configure Network Routing
9. Configure Network routing for “Overlap”
10. Configure Network Routing “Own Node”.
11. Configure Digital Station
12. Configure Digital Station Phone Facilities



Configuration Menus for Alcatel 4400 PBX

System Software Version

The screenshot shows the Cisco configuration interface for a 'nextiraone' system. On the left, a tree view displays the configuration hierarchy under 'PCX', including 'nextiraone', 'Shelf', 'Media Gateway', 'PWT/DECT System', 'System', 'Translator', and 'Prefix Plan'. The 'Prefix Plan' is expanded to show various feature sets such as '# External Features', '# Local Features', and 'Professional TG With Overlapping'.

The main configuration pane on the right displays a table of system parameters:

Node Number (reserved)	101
Software Version	R6.0
Version name	f1.602
CPU Id	e931
Patch No.	3
Notes	
Object Identity	
Node Number (reserved)	101
Ethernet Notes	
Netmask	
Local CPU	
Name	nextiraone
IP Address	172.20.9.251
Twin CPU	
Name	
IP Address	
Main CPU	
Name	
IP Address	
Standby CPU	
Name	
IP Address	
SL Notes []	
SL Notes	
Link Name	
Protocol	
Netmask	
Port	
IPX25 Tunnel Notes	
Netmask	255.255.0.0
Local Node	
Name	x001001_tun

At the bottom of the configuration pane, there are 'All' and 'Action' buttons.



Configure "ISO Function" System Parameter

The screenshot shows the Cisco configuration interface for a 'nextiraone' system. The left pane displays a tree view of configuration categories, with 'System Parameters' expanded. The right pane shows the configuration for 'nextiraone:1'. The 'ISO Function' parameter is highlighted, and its value is set to '1'.

nextiraone:1	
Instance (reserved)	1
Trunk seizure via attendant	<input checked="" type="checkbox"/>
No detect.of On-hook tone	<input checked="" type="checkbox"/>
TrkGrp in ticket for trans.call	<input checked="" type="checkbox"/>
VPN service	<input type="checkbox"/>
ISVPN Node No.	1
No. Digits displayed on sets	16
Melody Ringing Type	1
Int.Call Ringing Cadence No.	1
Ext.Call Ringing Cadence No.	1
Executive Type Ringing Cadence No.	1
Priority Call Cadence No.	1
ISO Function	<input checked="" type="checkbox"/>
Reserve B Channel	<input checked="" type="checkbox"/>
No control: Business Account Code	<input type="checkbox"/>
Business Pref.With Business No.	<input checked="" type="checkbox"/>
Business prefix with code	<input type="checkbox"/>
Follow-Me on Remote forwarding	<input type="checkbox"/>
BC HLC Fax	1
VG Recording Gain from a UA set	3
Calling ID length	7
No. Of Secret Code Errors	0
Transfer All Business Call Types	<input checked="" type="checkbox"/>
Attend Stay PCX on cancel consult	<input type="checkbox"/>
Compatibility GF	<input checked="" type="checkbox"/>



Configure Board (Board 9)

The screenshot shows the Cisco Configuration Assistant interface for configuring Board 9. The left-hand navigation tree is expanded to show the configuration for Board 9 (BPRA2). The main configuration area displays a table of parameters for 'nextiraone:0'.

nextiraone:0	
Board Address	9
Interface Type	BPRA2
Usage State	Busy
Operational State	Enabled
Main/Standby State	Main (Master)
Number Of Sets Connected	4
Country Protocol Type	Default
Incidents Teleservice	YES
ISDN Board Layer 2 Parameters	
Retransmission Timer	100
TEI Identity Check Timer	100
Polling Timer	1000
No. Of Retransmissions	3
Max Frame Size (Bytes)	260
T0 ISDN Board Layer 2 Parameters	
Window Size In Frames SAPI S T0	1
Window Size In Frames SAPI P T0	3
T2 ISDN Board Layer 2 Parameters	
Window Size In Frames SAPI S T2	7
Window Size In Frames SAPI P T2	7
Virtual board	NO



Configure Board (Board 9) Digital Access

Configuration: nextiraone

Search Users In nextiraone

Users Where Directory Number Equal

Configuration

nextiraone:0:9	
T0/T2 Access No.	0
Access Type	T2
Access Board Type	BPRA2
Synchronization Priority	255
Network Mode	NO
Max No. Of Used B Channels	30
Max No. Of Compressed B Channels	0
Tieline Mode	YES
With Alarm	NO
Reserved1	NO
Reserved2	NO
Network Date Time Update	NO
CRC4	YES
Mu Law for BEARER CAP	NO

All

1



Configure Board (Board 4)

Configuration: nextiraone

Search Users In nextiraone

Users Where Directory Number Equal

Configuration

nextiraone:0	
Board Address	4
Interface Type	PRA2
Usage State	Busy
Operational State	Enabled
Main/Standby State	Main (Master)
Number Of Sets Connected	1
Country Protocol Type	Default
Incidents Teleservice	YES
ISDN Board Layer 2 Parameters	
Retransmission Timer	100
TEI Identity Check Timer	100
Polling Timer	1000
No. Of Retransmissions	3
Max Frame Size (Bytes)	260
Passive board	NO
SS7 signaling	NO
T2 ISDN Board Layer 2 Parameters	
Window Size In Frames SAPI S T2	7
Window Size In Frames SAPI P T2	7
Virtual board	NO

All Action

1



Configure Board (Board 4) Digital Access

The screenshot shows the Cisco Configuration Manager interface for configuring a board. The left pane shows a tree view with 'nextiraone' selected, and 'Board' expanded to show '0 T2 PRA2 255 YE'. The right pane shows the configuration details for 'nextiraone:0:4'.

nextiraone:0:4	
T0/T2 Access No.	0
Access Type	T2
Access Board Type	PRA2
Synchronization Priority	255
Network Mode	YES
Max No Of Used B Channels	30
Max No. Of Compressed B Channels	0
Tieline Mode	YES
With Alarm	NO
Reserved1	NO
Reserved2	NO
Network Date Time Update	NO
CRC4	YES
Mu Law for BEARER CAP	NO



Configure PRI-ABC_F Trunk Group (Trunk Group 0 for Board 9) 1 of 5

Configuration: nextiraone

Search Users In nextiraone

Users Where Directory Number Equal

Configuration

nextiraone	
Trunk Group ID	0
Trunk Group Type	T2
Trunk Group Name	PRI-ABC_F
Node number	1
Transcom Trunk Group	<input type="checkbox"/>
Auto.reserv.by Attendant	<input type="checkbox"/>
Overflow trunk group No.	-1
Tone on seizure	<input checked="" type="checkbox"/>
Private Trunk Group	<input type="checkbox"/>
Q931 Signal variant	ABC-F
SS7 Signal variant	No variant
Number Compatible With	-1
Number Of Digits To Send	4
Channel selection type	Quantified
Remote Network	3
Shared Trunk Group	<input type="checkbox"/>
Auto.DTMF dialing on outgoing call	YES
T2 Specification	None
Public Network COS	0
DID transcoding	<input type="checkbox"/>
Special Services	Nothing
Can support UUS in SETUP	<input checked="" type="checkbox"/>
Implicit Priority	
Activation mode	0
Priority Level	0
Preempter	NO
Incoming calls Restriction COS	10

All



Configure PRI-ABC_F Trunk Group (Trunk Group 0 for Board 9) 2 of 5

Configuration: nextiraone

Search Users In nextiraone

Users Where Directory Number Equal

Configuration

nextiraone	
Trunk Group ID	0
Transcom Trunk Group	<input type="checkbox"/>
Auto.reserv.by Attendant	<input type="checkbox"/>
Overflow trunk group No.	-1
Tone on seizure	<input checked="" type="checkbox"/>
Private Trunk Group	<input type="checkbox"/>
Q931 Signal variant	ABC-F
SS7 Signal variant	No variant
Number Compatible With	-1
Number Of Digits To Send	4
Channel selection type	Quantified
Remote Network	3
Shared Trunk Group	<input type="checkbox"/>
Auto.DTMF dialing on outgoing call	YES
T2 Specification	None
Public Network COS	0
DID transcoding	<input type="checkbox"/>
Special Services	Nothing
Can support UUS in SETUP	<input checked="" type="checkbox"/>
Implicit Priority	
Activation mode	0
Priority Level	0
Preempter	NO
Incoming calls Restriction COS	10
Outgoing calls Restriction COS	10
Callee number mpt1343	NO
Overlap dialing	YES

All



Configure PRI-ABC_F Trunk Group (Trunk Group 0 for Board 9) 3 of 5

Configuration: nextiraone

Search Users In nextiraone

Users Where Directory Number Equal

Configuration

nextiraone:0

Instance (reserved)	f
Trunk Group Type	72
Public Network Ref.	
End-to-end dialing	NO
DTMF end-to-end signal.	NO
Trunk group used in DISA	NO
DISA Secret Code	
VG for non-existent No.	YES
Routing To Manager	NO
Trunk COS	18
Sending of Progress message	YES
No. of digits unused (ISDN)	0
B Channel Choice	YES
Channels: Attendant Control (Rsvd)	0
Redirection For ACD (Dissuasion)	NO
DTO joining	NO
Consultation Call On B Channel	NO
Automated Attendant	NO
Calling party Rights C:OS	0
Entity Number	1
TS Overflow	YES
Number To Be Added	
Supervised by Routing	NO
VPN Cost Limit for Incom.Calls	0
Immediate Trk Listening if VPNCall	YES
VPN TS %	50
CSTA-Monitored	NO

All Action



Configure PRI-ABC_F Trunk Group (Trunk Group 0 for Board 9) 4 of 5

Configuration: nextiraone

Search Users In nextiraone

Users Where Directory Number Equal

Configuration

nextiraone:0

Instance (reserved)	f
Calling party Rights COS	0
Entity Number	1
TS Overflow	YES
Number To Be Added	
Supervised by Routing	NO
VPN Cost Limit for Incom.Calls	0
Immediate Trk Listening if VPNCall	YES
VPN TS %	50
CSTA-Monitored	NO
Max.% of trunks out CCD	0
Charge Calling And ADN Creation	NO
Ratio analog.to ISDN cost	
Logical Channel	1__15 & 17__31
TS Distribution on Accesses	YES
Use Split Access	NO
Heterogeneous Remote Network	NO
COS Restrictions - Barring mode	Not Restricted / Not barred
ARS Class of service	31
Quality profile for voice over IP	Profile #1
IP Compression Type	Default
Use of volume in system	YES
External Access Server	NO
CSTA Tracking MCDU Trk	
Announcement for dial tone	NO
Announcement for Ring tone	NO
Private to Public Overflow	YES

All Action



Configure PRI-ABC_F Trunk Group (Trunk Group 1 for Board 4) 1 of 5

Configuration: nextiraone

Search Users In nextiraone

Users Where Directory Number Equal

Configuration

nextiraone	
Trunk Group ID	f
Trunk Group Type	72
Trunk Group Name	PRI-ABCF
Node number	f
Transcom Trunk Group	<input type="checkbox"/>
Auto.reserv.by Attendant	<input type="checkbox"/>
Overflow trunk group No.	-1
Tone on seizure	<input checked="" type="checkbox"/>
Private Trunk Group	<input type="checkbox"/>
Q931 Signal variant	ABC-F
SS7 Signal variant	No variant
Number Compatible With	-1
Number Of Digits To Send	4
Channel selection type	Quantified
Remote Network	0
Shared Trunk Group	<input type="checkbox"/>
Auto.DTMF dialing on outgoing call	NO
T2 Specification	None
Public Network COS	0
DID transcoding	<input type="checkbox"/>
Special Services	Nothing
Can support UUS in SETUP	<input checked="" type="checkbox"/>
Implicit Priority	
Activation mode	0
Priority Level	0
Preempter	NO
Incoming calls Restriction COS	10

All



Configure PRI-ABC_F Trunk Group (Trunk Group 1 for Board 4) 2 of 5

Configuration: nextiraone

Search Users In nextiraone

Users Where Directory Number Equal

Configuration

nextiraone	
Trunk Group ID	1
Transcom Trunk Group	<input type="checkbox"/>
Auto.reserv.by Attendant	<input type="checkbox"/>
Overflow trunk group No.	-1
Tone on seizure	<input checked="" type="checkbox"/>
Private Trunk Group	<input type="checkbox"/>
Q931 Signal variant	ABC-F
SS7 Signal variant	No variant
Number Compatible With	-1
Number Of Digits To Send	4
Channel selection type	Quantified
Remote Network	0
Shared Trunk Group	<input type="checkbox"/>
Auto.DTMF dialing on outgoing call	NO
T2 Specification	None
Public Network COS	0
DID transcoding	<input type="checkbox"/>
Special Services	Nothing
Can support UUS in SETUP	<input checked="" type="checkbox"/>
Implicit Priority	
Activation mode	0
Priority Level	0
Preempter	NO
Incoming calls Restriction COS	10
Outgoing calls Restriction COS	10
Callee number mpt1343	NO
Overlap dialing	YES

All



Configure PRI-ABC_F Trunk Group (Trunk Group 1 for Board 4) 3 of 5

Configuration: nextiraone

Search Users In nextiraone

Users Where Directory Number Equal

Configuration

nextiraone:1	
Instance (reserved)	1
Trunk Group Type	T2
Public Network Ref.	
End-to-end dialing	NO
DTMF end-to-end signal.	NO
Trunk group used in DISA	NO
DISA Secret Code	
VG for non-existent No.	YES
Routing To Manager	NO
Trunk COS	18
Sending of Progress message	YES
No. of digits unused (ISDN)	0
B Channel Choice	YES
Channels: Attendant Control (Rsvd)	0
Redirection For ACD (Dissuasion)	NO
DTO joining	NO
Consultation Call On B Channel	NO
Automated Attendant	NO
Calling party Rights COS	0
Entity Number	1
TS Overflow	YES
Number To Be Added	
Supervised by Routing	NO
VPN Cost Limit for Incom.Calls	0
Immediate Trk Listening if VPNCall	YES
VPN TS %	50
CSTA-Monitored	NO

All Action



Configure PRI-ABC_F Trunk Group (Trunk Group 1 for Board 4) 4 of 5

Configuration: nextiraone

Search Users In nextiraone

Users Where Directory Number Equal

Configuration

nextiraone:0

Instance (reserved)	f
Calling party Rights COS	0
Entity Number	1
TS Overflow	YES
Number To Be Added	
Supervised by Routing	NO
VPN Cost Limit for Incom.Calls	0
Immediate Trk Listening if VPNCall	YES
VPN TS %	50
CSTA-Monitored	NO
Max.% of trunks out CCD	0
Charge Calling And ADN Creation	NO
Ratio analog.to ISDN cost	
Logical Channel	1__15 & 17__31
TS Distribution on Accesses	YES
Use Split Access	NO
Heterogeneous Remote Network	NO
COS Restrictions - Barring mode	Not Restricted / Not barred
ARS Class of service	31
Quality profile for voice over IP	Profile #1
IP Compression Type	Default
Use of volume in system	YES
External Access Server	NO
CSTA Tracking MCDU Trk	
Announcement for dial tone	NO
Announcement for Ring tone	NO
Private to Public Overflow	YES

All Action



Configure PSTN Board 9 (1 of 1)

OmniVista 4760 - NEXIRAONE:389 - AdminNmc

File Applications Security Preferences Configuration Windows Help

Configuration: nextiraone

Networks PCX

- nextiraone
 - Shelf
 - 0 ACT-10 Interfaces Main ACT Shelf No N64 4 YES
 - 1 ACT-10 Interfaces Peripheral ACT Shelf No N64 4
 - Board
 - 0 Address taken Unknown Enabled Main (M
 - 1 INTOFB Unknown Enabled Main (Master)
 - 2 PCM2 Idle Disabled Main (Master) 0
 - 3 INTIPA Active Enabled Main (Master)
 - 4 INTIPA Idle Enabled Main (Master)
 - 5 PCM2 Busy Disabled Main (Master) 30
 - 6 NPRAE Idle Disabled Main (Master) 0
 - 7 PCM2 Idle Disabled Main (Master) 0
 - 8 NDDI Busy Disabled Main (Master) 8
 - 9 PRA2 Busy Enabled Main (Master) 1
 - ATM port
 - ATM E1
 - ATM access
 - BBC2 Access
 - TA adapter
 - S0 Bus
 - Digital Access
 - 0 T2 PRA2 255 YES 30 0
 - Virtual Access
 - Transfix Access
 - Ethernet Access
 - Inter-ACT Link
 - ACT Or SU Events
 - GPA DSP program
 - Dynamic Init Parameters
 - Signaling link
 - Signaling Link Backup
 - IBS
 - SOSM Boards
 - RFP
 - Ethernet Parameters
 - Voice Guide Index.MG
 - 19 Hybrid Peripheral ACT Shelf No N64 4 YES
 - Media Gateway
 - PWTIDECT System
 - System
 - Translator
 - 1
 - Prefix Plan
 - # External Features
 - #0 External Features
 - #1 Local Features
 - #2 Set features Personal Directory Use
 - #3 Set features Cancel auto. callback on bu
 - #40 Set features Forward cancellation

Configuration

nextiraone:1

Board Address	9
Interface Type	PRA2
Usage State	Busy
Operational State	Enabled
Main/Standby State	Main (Master)
Number Of Sets Connected	1
Country Protocol Type	Default
Incidents Teleservice	YES
ISDN Board Layer 2 Parameters	
Retransmission Timer	100
TEI Identity Check Timer	100
Polling Timer	1000
No. Of Retransmissions	3
Max Frame Size (Bytes)	260
Passive board	NO
SS7 signaling	NO
T2 ISDN Board Layer 2 Parameters	
Window Size In Frames SAPI S T2	7
Window Size In Frames SAPI P T2	7
Virtual board	NO

All Action

Configuration: nextiraone



Configure PSTN Board 9 Digital Access (1 of 1)

The screenshot displays the Cisco configuration interface for a Nextiraone system. The left pane shows a hierarchical tree of configuration objects, with '0 T2 PRA2 255 YES 30 0' selected under 'Digital Access'. The right pane shows the configuration details for this object.

nextiraone:1:9	
T0/T2 Access No.	0
Access Type	T2
Access Board Type	PRA2
Synchronization Priority	255
Network Mode	YES
Max No Of Used B Channels	30
Max No. Of Compressed B Channels	0
Tieline Mode	YES
With Alarm	NO
Reserved1	NO
Reserved2	NO
Network Date Time Update	NO
CRC4	YES
Mu Law for BEARER CAP	NO



Configure PSTN Trunk Group (Trunk Group 16 for Board 9) 1 of 4

OmniVista 4760 - NEXTRARAONE:389 - AdminNmc

File Applications Security Preferences Configuration Windows Help

Configuration: nextiraone

Log on to 4760

Directory

Configuration

Reports

Alarms

Scheduler

Maintenance

Configuration: nextiraone

Networks PCX

- Numbering Command Table
 - Code Table Authorization
 - Filtered Called Number
 - ATM Address List
- Classes of Service
- Attendant
- Users
 - Users by profile
 - Set Profile
- Groups
- Speed Dialing
- Phone Book
- Entities
- Trunk Groups
 - 0 T2 PRI-ABCF 1 No No -1 Yes No
 - 1 T2 PRI-ABCF 1 No No -1 Yes No
 - 3 LIA E M 2W 1 No No -1 Yes
 - 4 COMB / MIXED test 1 No No -1 No No
 - 5 NDDI (BCA) NDDI 1 No No -1 No No
 - 6 NDDI (BCA) NDDI 1 No No -1 Yes No
 - 7 T0 BRI-QSIG 1 No No -1 Yes No
 - 8 T0 BRI-ABCF 1 No No -1 Yes No
 - 9 T0 BRI-ISDN 1 No No -1 Yes No
 - 10 LIA E M 4W 1 No No -1 Yes
 - 11 LIA pcm2 1 No No -1 No
 - 12 T2 sip 1 No No -1 No No
 - 13 T2 VOIP_101 1 No No -1 No No
 - 14 DPNSS dpnss_NKO 1 No -1 No No
 - 15 T2 SIP 1 No No -1 No No
 - 16 T2 1 No No -1 Yes No
- Trunk Group
 - 1 T2 NO NO
 - T2/T1/T0 Access
 - 1-9-0 T2 -1 01111111111111111111
 - Trunk
 - Virtual access for SIP
 - Trunk group NPD selector
- External Services
- Inter-Node Links
- X25
- DATA
- Applications
- Specific Telephone Services
- ATM
- Events Routing Discriminator
- Security and Access Control
- IP
- SIP
- DHCP Configuration
- IPTouch

Configuration

nextiraone

Trunk Group ID	76
Trunk Group Type	72
Trunk Group Name	
Node number	f
Transcom Trunk Group	<input type="checkbox"/>
Auto.reserv.by Attendant	<input type="checkbox"/>
Overflow trunk group No.	-1
Tone on seizure	<input checked="" type="checkbox"/>
Private Trunk Group	<input type="checkbox"/>
Q931 Signal variant	ABC-F
SS7 Signal variant	No variant
Number Compatible With	-1
Number Of Digits To Send	11
Channel selection type	Quantified
Remote Network	15
Shared Trunk Group	<input type="checkbox"/>
Auto.DTMF dialing on outgoing call	YES
T2 Specification	None
Public Network COS	0
DID transcoding	<input type="checkbox"/>
Special Services	Nothing
Can support UUS in SETUP	<input checked="" type="checkbox"/>
Implicit Priority	
Activation mode	0
Priority Level	0
Preempter	NO
Incoming calls Restriction COS	10
Outgoing calls Restriction COS	10
Callee number mpt1343	NO
Overlap dialing	YES

All

1

Configuration: nextiraone



Configure PSTN Trunk Group (Trunk Group 16 for Board 9) 2 of 4

OmniVista 4760 - NEXTRAONE:389 - AdminNmc

File Applications Security Preferences Configuration Windows Help

Configuration: nextiraone

Networks PCX

- Numbering Command Table
 - Code Table Authorization
 - Filtered Called Number
 - ATM Address List
- Classes of Service
- Attendant
- Users
 - Users by profile
 - Set Profile
- Groups
- Speed Dialing
- Phone Book
- Entities
- Trunk Groups
 - 0 T2 PRI-ABCF 1 No No -1 Yes No
 - 1 T2 PRI-ABCF 1 No No -1 Yes No
 - 3 LIA E M 2W 1 No No -1 Yes
 - 4 COMB / MIXED test 1 No No -1 No No
 - 5 NDDI (BCA) NDDI 1 No No -1 No No
 - 6 NDDI (BCA) NDDI 1 No No -1 Yes No
 - 7 T0 BRI-QSIG 1 No No -1 Yes No
 - 8 T0 BRI-ABCF 1 No No -1 Yes No
 - 9 T0 BRI-ISDN 1 No No -1 Yes No
 - 10 LIA E M 4W 1 No No -1 Yes
 - 11 LIA pcm2 1 No No -1 No
 - 12 T2 sip 1 No No -1 No No
 - 13 T2 VOIP_101 1 No No -1 No No
 - 14 DPNSS dpnss_NKO 1 No -1 No
 - 15 T2 SIP 1 No No -1 No No
 - 16 T2 1 No No -1 Yes No
 - Trunk Group
 - 1 T2 NO NO
 - T2/T1/T0 Access
 - 1-9-0 T2-1 011111111111111111011
 - Trunk
 - Virtual access for SIP
 - Trunk group NPD selector
- External Services
- Inter-Node Links
- X25
- DATA
- Applications
- Specific Telephone Services
- ATM
- Events Routing Discriminator
- Security and Access Control
- IP
- SIP
- DHCP Configuration
- IPTouch

Configuration

nextiraone:16

Instance (reserved)	?
Trunk Group Type	72
Public Network Ref.	
End-to-end dialing	NO
DTMF end-to-end signal	NO
Trunk group used in DISA	NO
DISA Secret Code	
VG for non-existent No.	YES
Routing To Manager	NO
Trunk COS	19
Sending of Progress message	YES
No. of digits unused (ISDN)	0
B Channel Choice	NO
Channels: Attendant Control (Rsvd)	0
Redirection For ACD (Dissuasion)	NO
DTO joining	NO
Consultation Call On B Channel	NO
Automated Attendant	NO
Calling party Rights COS	0
Entity Number	1
TS Overflow	YES
Number To Be Added	
Supervised by Routing	NO
VPN Cost Limit for Incom.Calls	0
Immediate Trk Listening if VPNCall	YES
VPN TS %	50
CSTA-Monitored	NO
Max.% of trunks out CCD	0
Charge Calling And ADN Creation	NO
Ratio analog to ISDN cost	
Logical Channel	1__15 & 17__31

All Action

Configuration: nextiraone



Configure PSTN Trunk Group (Trunk Group 16 for Board 9) 3 of 4

OmniVista 4760 - NEXTIRAONE:389 - AdminNmc

File Applications Security Preferences Configuration Windows Help

Configuration: nextiraone

Log on to 4760

Directory

Configuration

Reports

Alarms

Scheduler

Maintenance

Configuration: nextiraone

PCX

- Numbering Command Table
- Code Table Authorization
- Filtered Called Number
- ATM Address List
- Classes of Service
- Attendant
- Users
- Users by profile
- Set Profile
- Groups
- Speed Dialing
- Phone Book
- Entities
- Trunk Groups
 - 0 T2 PRI-ABCF 1 No No -1 Yes No
 - 1 T2 PRI-ABCF 1 No No -1 Yes No
 - 3 LIA E M 2W 1 No No -1 Yes
 - 4 COMB / MIXED test 1 No No -1 No No
 - 5 NDDI (BCA) NDDI 1 No No -1 No No
 - 6 NDDI (BCA) NDDI 1 No No -1 Yes No
 - 7 T0 BRI-QSIG 1 No No -1 Yes No
 - 8 T0 BRI-ABCF 1 No No -1 Yes No
 - 9 T0 BRI-ISDN 1 No No -1 Yes No
 - 10 LIA E M 4W 1 No No -1 Yes
 - 11 LIA pcm2 1 No No -1 No
 - 12 T2 sip 1 No No -1 No No
 - 13 T2 VOIP_101 1 No No -1 No No
 - 14 DPNSS dpnss_NKO 1 No -1 No No
 - 15 T2 SIP 1 No No -1 No No
 - 16 T2 1 No No -1 Yes No
- Trunk Group
 - 1 T2 NO NO
 - T2/T1/T0 Access
 - 1-9-0 T2-1 011111111111111111011
 - Trunk
 - Virtual access for SIP
 - Trunk group NPD selector
- External Services
- Inter-Node Links
- X25
- DATA
- Applications
- Specific Telephone Services
- ATM
- Events Routing Discriminator
- Security and Access Control
- IP
- SIP
- DHCP Configuration
- IPTouch

Configuration

nextiraone:16

Instance (reserved)	1
Redirection For ACD (Dissuasion)	NO
DTO joining	NO
Consultation Call On B Channel	NO
Automated Attendant	NO
Calling party Rights COS	0
Entity Number	1
TS Overflow	YES
Number To Be Added	
Supervised by Routing	NO
VPN Cost Limit for Incom. Calls	0
Immediate Trk Listening if VPNCall	YES
VPN TS %	50
CSTA-Monitored	NO
Max. % of trunks out CCD	0
Charge Calling And ADN Creation	NO
Ratio analog to ISDN cost	
Logical Channel	1__15 & 17__31
TS Distribution on Accesses	YES
Use Split Access	NO
Heterogeneous Remote Network	NO
COS Restrictions - Barring mode	Not Restricted / Not barred
ARS Class of service	31
Quality profile for voice over IP	Profile #1
IP Compression Type	Default
Use of volume in system	YES
External Access Server	NO
CSTA Tracking MCDU Trk	
Announcement for dial tone	NO
Announcement for Ring tone	NO
Private to Public Overflow	YES

All Action

1

Configuration: nextiraone



Configure Remote Network (Remote Network #3 for Trunk Group 0)

The screenshot shows the Cisco configuration interface for 'nextiraone'. The left sidebar displays a tree view of configuration objects, with 'Network Routing Table' expanded to show a list of entries. Entry '3 1 QSIG-GF 11 0-1 -1' is selected. The main pane shows the configuration details for 'nextiraone:1'.

Field	Value
Network Number	3
Rank of First Digit to be Sent	1
Incoming identification prefix	
Protocol Type	QSIG-GF
Numbering Plan Descriptor ID	11
ARS Route list	0
Schedule number	-1
ATM Address ID	-1
Network call prefix	
City/Town Name	
Send City/Town Name	<input type="checkbox"/>
Associated Ext SIP gateway	-1



Configure Remote Network (Remote Network #0 for Trunk Group 1)

The screenshot shows the Cisco configuration interface for a network. On the left is a tree view of the configuration hierarchy. The main area displays the configuration for a specific network, identified as 'nextiraone:1'. The configuration table is as follows:

Parameter	Value
Network Number	0
Rank of First Digit to be Sent	1
Incoming identification prefix	
Protocol Type	QSIG-GF
Numbering Plan Descriptor ID	11
ARS Route list	0
Schedule number	-1
ATM Address ID	-1
Network call prefix	
City/Town Name	
Send City/Town Name	<input type="checkbox"/>
Associated Ext SIP gateway	-1



Configure Remote Network (Remote Network #15 for Trunk Group 16)

OmniVista 4760 - NEXTRAONE:389 - AdminNmc

File Applications Security Preferences Configuration Windows Help

Configuration: nextiraone

Networks PCX

- Prefix Plan
- Suffix Plan
- Numbering Plan
- PIN (Personal Ident.No.)
- Private Call Profile
- External Numbering Plan
 - 1
 - Numbering Discriminator
 - 0 public
 - Discriminator Rule
 - 1 1 0 -1 11
 - 1408 1 0 -1 11
 - 1650 1 1 -1 11
 - 2 1 0 -1 11
 - 3 1 0 -1 11
 - 4 1 0 -1 11
 - 5 1 0 -1 11
 - 6 1 0 -1 11
 - 7 1 0 -1 11
 - 8 1 0 -1 11
 - 9 1 0 -1 10
 - 1 private
 - Numbering Plan Description (NPD)
 - DID numbering translator
 - Default DID num. translator
 - Node Access Prefix
 - Network Access Prefix
 - Ext. Callback Translation
 - Country Codes
- Network Routing Table
 - 0 1 QSIG-GF 11 0 -1 -1
 - 1 1 QSIG-GF 11 0 -1 -1
 - 2 1 QSIG-GF 11 0 -1 -1
 - 3 1 QSIG-GF 11 0 -1 -1
 - 4 1 Dependant on Trunk Group Type 11 0 -1 -1
 - 5 1 ABC_F 11 0 -1 -1
 - 6 1 Dependant on Trunk Group Type 33 0 -1 -1
 - 7 1 ABC_F 11 0 -1 -1
 - 8 1 ABC_F 11 0 -1 -1
 - 9 1 ABC_F 11 0 -1 -1
 - 10 1 ABC_F 11 0 -1 -1
 - 11 1 QSIG-GF 11 0 -1 -1
 - 12 1 QSIG-GF 11 0 -1 -1
 - 13 1 Dependant on Trunk Group Type 11 0 -1 -1
 - 14 1 ABC_F 11 0 -1 -1
 - 15 1 Dependant on Trunk Group Type 11 1 -1 -1
- Automatic Route Selection
 - 1
 - ARS Route list

Configuration

nextiraone:1

Network Number	15
Rank of First Digit to be Sent	1
Incoming identification prefix	
Protocol Type	Dependant on Trunk Group Type
Numbering Plan Descriptor ID	11
ARS Route list	1
Schedule number	-1
ATM Address ID	-1
Network call prefix	
City/Town Name	
Send City/Town Name	<input type="checkbox"/>
Associated Ext SIP gateway	-1

All

9

Configuration: nextiraone



Configure Network Routing 4XXX (Trunk Group 0)

The screenshot shows the Cisco configuration interface for 'nextiraone'. The search bar is set to 'Users' with 'Where' set to 'Directory Number' and 'Equal'. The configuration table for 'nextiraone:1' is as follows:

Number	
Prefix Meaning	Routing No.
Network Number	3
Node Number/ABC-F Trunk Group	0
Number of Digits	4
Number With Subaddress (ISDN)	NO
Default X25 ID pref.	NO

The left sidebar shows a list of network features, including:

- *701 Professional trunk s
- *703 Professional trunk s
- *704 Professional trunk s
- *705 Professional trunk s
- *706 Professional trunk s
- *707 Professional trunk s
- *708 Professional trunk s
- *709 Professional trunk s
- *710 Professional trunk s
- *711 Professional trunk s
- *713 Professional trunk s
- *714 Professional TG With
- *80 Set features Accountir
- *81 Local Features
- *82 Set features Overfl.on
- *83 Set features Sta. grou
- *84 Set features Protect. a
- *85 Set features Lock
- *86 Set features Set In/Ou
- *87 Set features Passwor
- *88 Set features Languag
- *89 Set features Associat
- *90 Local Features
- *91 Set features Adjust Di
- *92 Local Features
- *93 Local Features
- *94 Local Features
- *95 Local Features
- *98 Local Features
- *99 External Features
- 2 Routing No. 2 4 4
- 3040 Direct Speed Dialing
- 3100 Local Features
- 3123 Direct Speed Dialing
- 3180 Direct Speed Dialing
- 3999 Individ.Attendant Cat
- 4 Routing No. 3 0 4
- 6 Routing No. 0 1 4
- 7002 Direct Speed Dialing
- 9 ARS Prof.Trq Grp Seizur
- Suffix Plan
- Numbering Plan
- PIN (Personal Ident.No.)
- Private Call Profile
- External Numbering Plan
- Network Routing Table
- Automatic Route Selection



Configure Network Routing 6XXX (Trunk Group 1)

The screenshot shows the Cisco Configuration Manager interface. On the left is a tree view of configuration objects, with '6 Routing No. 0 1 4' selected. The main pane displays the configuration for 'nextiraone:1'.

nextiraone:1	
Number	6
Prefix Meaning	Routing No.
Network Number	0
Node Number/ABC-F Trunk Group	1
Number of Digits	4
Number With Subaddress (ISDN)	NO
Default X25 ID.pref.	NO



Configure Network routing for “Overlap” (Trunk Group 0)

The screenshot shows the Cisco configuration interface for a network device. The left pane displays a tree view of the configuration hierarchy, with 'nextiraone:1' selected. The right pane shows the configuration details for 'nextiraone:1'.

Configuration: nextiraone

Search: Users In: nextiraone

Users Where: Directory Number Equal

Configuration

nextiraone:1	
Number	**900
Prefix Meaning	Professional TG With Overlapping
Prefix Information	0
Private Route type	<input type="checkbox"/>

All



Configure Network Routing Automatic Route Selection (ARS) for PSTN (1 of 7)

The screenshot displays the Cisco Configuration Manager interface for a NextiraOne device. The left pane shows a hierarchical tree of configuration objects under 'PCX'. The 'Automatic Route Selection' section is expanded, showing an 'ARS Route list' with a 'PSTN to CCM' entry. The right pane shows the configuration details for 'nextiraone:1', which includes a table with the following data:

nextiraone:1	
Number	9
Prefix Meaning	ARS Prof.Trq Grp Seizure
Discriminator No.	0

The bottom status bar indicates 'Configuration: nextiraone'.



Configure Network Routing Automatic Route Selection (ARS) for PSTN (2 of 7)

The screenshot displays the Cisco Configuration Manager interface for a device named 'OmniVista 4760 - NEXIRAONE:389 - AdminNmc'. The left pane shows a hierarchical tree of configuration objects. Under 'Automatic Route Selection', the 'ARS Route list' is expanded to show '0 PSTN to CCM', which is further expanded to show '1 PSTN TO CUCM 0 0 0 0 De'. The 'ARS Route' object is selected, and its configuration is shown in the right pane.

nextiraone:1:1:0	
Call Number	1408
Area Number	1
ARS Route List Number	0
Schedule Number	-1
Number of Digits	11

The Windows taskbar at the bottom shows the Start button, system tray, and several open applications: 'OmniVista 4760 - NEX...', 'Enterprise Activities...', 'K:\', and 'PSTN ARS Route A.b...'. The system clock shows 11:53 AM on 11/28.



Configure Network Routing Automatic Route Selection (ARS) for PSTN (3 of 7)

The screenshot displays the Cisco Configuration Manager interface for configuring Automatic Route Selection (ARS) for PSTN. The left pane shows a tree view of the configuration hierarchy. The right pane shows the configuration details for the selected object, 'nextiraone:1:1:0'.

nextiraone:1:1:0	
Call Number	1650
Area Number	1
ARS Route List Number	1
Schedule Number	-1
Number of Digits	11



Configure Network Routing Automatic Route Selection (ARS) for PSTN (4 of 7)

The screenshot shows the Cisco Configuration Manager interface for a Nextiraone device. The left pane displays a tree view of configuration objects, with 'ARS Route list' selected under 'Automatic Route Selection'. The right pane shows the configuration details for 'nextiraone:1:1'.

nextiraone:1:1	
ARS Route list	0
Name	PSTN to CCM



Configure Network Routing Automatic Route Selection (ARS) for PSTN (5 of 7)

The screenshot displays the Cisco Configuration Manager interface for configuring Network Routing Automatic Route Selection (ARS) for PSTN. The main window is titled "Configuration: nextiraone" and shows a tree view on the left and a configuration table on the right.

Configuration Table:

nextiraone:1:1:0	
Route	1
Name	PSTN TO CUCM
Trunk Group	0
No.Digits To Be Removed	0
Digits To Add	
Numbering Command Tabl. ID	0
VPN Cost Limit	0
Protocol Type	Dependant on Trunk Group Type
NPD identifier	11
Route Type	Public
ATM Address ID	-1
Preempter	<input type="checkbox"/>
Quality []	Speech Fax Restricted Digital Information Unrestricted Digital Information



Configure Network Routing Automatic Route Selection (ARS) for PSTN (6 of 7)

The screenshot shows the Cisco AdminNmc configuration interface for a Nextiraone device. The main window is titled "Configuration: nextiraone". The left sidebar contains navigation icons for Log on to 4760, Directory, Configuration, Reports, Alarms, Scheduler, and Maintenance. The main area is divided into two panes: "Networks" and "Configuration".

The "Networks" pane shows a tree view of the configuration hierarchy. The "Automatic Route Selection" folder is expanded, showing a sub-folder "1" which contains an "ARS Route list" folder. This folder contains two "ARS Route" entries: "0 PSTN to CCM" and "1 CUCM TO PSTN". The "1 CUCM TO PSTN" entry is selected, and its details are shown in the "Configuration" pane.

The "Configuration" pane shows the details for the "ARS Route list" configuration. The "Name" field is set to "CUCM TO PSTN".

nextiraone:1:1	
ARS Route list	1
Name	CUCM TO PSTN

The bottom of the interface shows a status bar with the text "Configuration: nextiraone" and a page number "1".



Configure Network Routing Automatic Route Selection (ARS) for PSTN (7 of 7)

OmniVista 4760 - NEXTIRAONE:389 - AdminNmc

File Applications Security Preferences Configuration Windows Help

Configuration: nextiraone

Networks PCX

- 1400 1 0-1 11
- 1650 1 1 -1 11
- 2 1 0-1 11
- 3 1 0-1 11
- 4 1 0-1 11
- 5 1 0-1 11
- 6 1 0-1 11
- 7 1 0-1 11
- 8 1 0-1 11
- 9 1 0-1 10
- 1 private
 - Numbering Plan Description (NPD)
 - DID numbering translator
 - Default DID num. translator
 - Node Access Prefix
 - Network Access Prefix
 - Ext.Callback Translation
 - Country Codes
 - Network Routing Table
 - Automatic Route Selection
 - 1
 - ARS Route list
 - 0 PSTN to CCM
 - ARS Route
 - 1 PSTN TO CUCM 0 0 0 0 De
 - Time-based Route List
 - 1 CUCM TO PSTN
 - ARS Route
 - 1 CUCM to PSTN 16 0 0 0 De
 - Time-based Route List
 - ARS Schedule
 - ARS Calendar
 - Numbering Command Table
 - Code Table Authorization
 - Filtered Called Number
 - ATM Address List
 - Classes of Service
 - Attendant
 - Users
 - Users by profile
 - Set Profile
 - Groups
 - Speed Dialing
 - Phone Book
 - Entities
 - Trunk Groups
 - 0 T2 PRI-ABCF 1 No No -1 Yes No
 - 1 T2 PRI-ABCF 1 No No -1 Yes No
 - 3 LIA E M 2W 1 No No -1 Yes
 - 4 COMB / MIXED test 1 No No -1 No No

Configuration

nextiraone:1:1:1

Route	1
Name	CUCM to PSTN
Trunk Group	16
No.Digits To Be Removed	0
Digits To Add	
Numbering Command Tabl. ID	0
VPN Cost Limit	0
Protocol Type	Dependant on Trunk Group Type
NPD identifier	11
Route Type	Public
ATM Address ID	-1
Preempter	<input type="checkbox"/>
Quality []	Speech

All

9

Configuration: nextiraone



Configure Network routing for "Overlap" (Trunk Group 1)

The screenshot shows the Cisco configuration interface for a network device. The left pane displays a tree view of the configuration hierarchy, with 'nextiraone:1' selected. The right pane shows the configuration details for 'nextiraone:1', including a search bar and a table of configuration parameters.

nextiraone:1	
Number	**901
Prefix Meaning	Professional TG With Overlapping
Prefix Information	1
Private Route type	<input type="checkbox"/>



Configure Network Routing “Own Node”. (Required to enable ‘Path Replacement’)

The screenshot shows the Cisco configuration interface for 'nextiraone'. The left pane displays a tree view of configuration objects, with '3100 Local Features' selected. The right pane shows the configuration details for this object, including a table with the following data:

nextiraone:1	
Number	3100
Prefix Meaning	Local Features
Local Features	PCX address in DPNSS

The interface also includes a search bar at the top, a 'Where' dropdown set to 'Directory Number', and an 'Equal' operator dropdown. The bottom of the window shows a toolbar with navigation icons and a page number '1'.



Configure Digital Station 1 of 5

Configuration: nextiraone

Networks PCX

- nextiraone
 - Shelf
 - 0 ACT-10 Interfaces Main ACT Shelf
 - 1 ACT-10 Interfaces Peripheral ACT
 - 19 Hybrid Peripheral ACT Shelf No N
 - Media Gateway
 - PWT/DECT System
 - System
 - Translator
 - Classes of Service
 - Attendant
 - Users
 - 3001 Jack Doe 1 0 2 1 4035T 1
 - 3002 Jill Doe 1 0 2 2 4035T 1
 - 3003 Jane Doe 1 0 2 3 4035T 1
 - 3004 Big Doe 1 0 2 4 4035T 1
 - 3010 alcatel ipphone1 1 255 255 25
 - 3011 Alcatel IPP2 1 255 255 255 40
 - 3012 1 255 255 255 4022 (4020 &
 - 3032 Mummy Doe 1 0 7 0 ANALOG
 - 3033 Daddy Doe 1 0 7 1 ANALOG 1
 - 3034 Brother Doe 1 0 7 2 ANALOG
 - 3035 Sister Doe 1 0 7 3 ANALOG 1
 - 3038 uk_test_1 1 255 255 255 IPTc
 - 3039 uk_test_2 1 255 255 255 IPTc
 - 3050 Alcatel SIP0 1 255 255 255 Ex
 - 3051 Alcatel SIP1 1 255 255 255 Ex
 - 7000 Little Doe 1 0 2 5 4035T 1
 - 7001 Doe Doe 1 0 2 6 4035T 1
 - Users by profile
 - Set Profile
 - Groups
 - Speed Dialing
 - Phone Book
 - Entities
 - Trunk Groups
 - External Services
 - Inter-Node Links
 - X25
 - DATA
 - Applications
 - Specific Telephone Services
 - ATM
 - Events Routing Discriminator
 - Security and Access Control
 - IP
 - SIP
 - DHCP Configuration
 - IPTouch

Configuration

nextiraone

Directory Number	3003
Directory name	Jane Doe
Directory First Name	
Location Node	1
Shelf Address	0
Board Address	2
Equipment Address	3
Set Type	4035T
Entity Number	1
Set Function	Default
Profile Name	
Key Profiles	None
Domain Identifier	0
Add On Module 1	None
Add On Module 2	None
Add On Module 3	None
External Alphanumeric Keyboard	None
Internal Alphanum.Keyboard	English
V24 Extension	<input type="checkbox"/>
S0 Extension	<input type="checkbox"/>
MAC/PC	NO
Z Adapter	<input type="checkbox"/>
Language ID	1
Secret Code	****
Associated Set No.	3003
Cost Center ID	255
Cost Center Name	
Charging COS	Justified
Public Network COS	2
External Forwarding COS	255
Phone Feature COS	0

General Characteristics PIN Assoc.Sets Rights Profile VoiceMail

Facilities Set Characteristics Hotel SIP_Attributes Miscellaneous All Action



Configure Digital Station 2 of 5

Configuration: nextiraone

Networks PCX

- nextiraone
 - Shelf
 - 0 ACT-10 Interfaces Main ACT Shelf
 - 1 ACT-10 Interfaces Peripheral ACT
 - 19 Hybrid Peripheral ACT Shelf No
 - Media Gateway
 - PWT/DECT System
 - System
 - Translator
 - Classes of Service
 - Attendant
 - Users
 - 3001 Jack Doe 1 0 2 1 4035T 1
 - 3002 Jill Doe 1 0 2 2 4035T 1
 - 3003 Jane Doe 1 0 2 3 4035T 1
 - 3004 Big Doe 1 0 2 4 4035T 1
 - 3010 alcatel ipphone1 1 255 255 25
 - 3011 Alcatel IPP2 1 255 255 255 40
 - 3012 1 255 255 255 4022 (4020 &
 - 3032 Mummy Doe 1 0 7 0 ANALOG
 - 3033 Daddy Doe 1 0 7 1 ANALOG 1
 - 3034 Brother Doe 1 0 7 2 ANALOG
 - 3035 Sister Doe 1 0 7 3 ANALOG 1
 - 3038 uk_test_1 1 255 255 255 IPTc
 - 3039 uk_test_2 1 255 255 255 IPTc
 - 3050 Alcatel SIP0 1 255 255 255 Ex
 - 3051 Alcatel SIP1 1 255 255 255 Ex
 - 7000 Little Doe 1 0 2 5 4035T 1
 - 7001 Doe Doe 1 0 2 6 4035T 1
 - Users by profile
 - Set Profile
 - Groups
 - Speed Dialing
 - Phone Book
 - Entities
 - Trunk Groups
 - External Services
 - Inter-Node Links
 - X25
 - DATA
 - Applications
 - Specific Telephone Services
 - ATM
 - Events Routing Discriminator
 - Security and Access Control
 - IP
 - SIP
 - DHCP Configuration
 - IPTouch

Configuration

nextiraone	
Directory Number	3003
External Forwarding COS	255
Phone Features COS	0
Connection COS	0
Hunt Group Dir No.	
ACD Group Directory No.	
Pickup Group Name	
Reserved Time Slot	<input type="checkbox"/>
Voice Mail Dir.No.	
Voice Mail Type	No Voice Mail
Paging Trunk Group	255
Paging Beeper	
Called Associated DECT set	
Tele-Marketing Agent	<input type="checkbox"/>
ISDN User	
External	<input checked="" type="checkbox"/>
Internal	<input checked="" type="checkbox"/>
Display ext. calling number	<input checked="" type="checkbox"/>
ISDN Teleservice	Phone
Hotel-Set Operation	Administrative
Use Type Of Dir. No.	Normal
Number Of Set Users	1
Dial by name and text msg.	NO
Multi-line station	NO
Multi-Line Properties	
Automatic Incoming Seizure	<input type="checkbox"/>
Automatic Outgoing Seizure	<input type="checkbox"/>
Selective Filtering	<input type="checkbox"/>
Overflow on no answer	<input type="checkbox"/>
Overflow on busy	<input type="checkbox"/>
Supervision at off-hook	<input type="checkbox"/>

General Characteristics PIN Assoc.Sets Rights Profile VoiceMail

Facilities Set Characteristics Hotel SIP_Attributes Miscellaneous All Action



Configure Digital Station 3 of 5

Configuration: nextiraone

Networks PCX

- nextiraone
 - Shelf
 - 0 ACT-10 Interfaces Main ACT Shelf
 - 1 ACT-10 Interfaces Peripheral ACT
 - 19 Hybrid Peripheral ACT Shelf No N
 - Media Gateway
 - PWT/DECT System
 - System
 - Translator
 - Classes of Service
 - Attendant
 - Users
 - 3001 Jack Doe 1 0 2 1 4035T 1
 - 3002 Jill Doe 1 0 2 2 4035T 1
 - 3003 Jane Doe 1 0 2 3 4035T 1
 - 3004 Big Doe 1 0 2 4 4035T 1
 - 3010 alcatel ipphone1 1 255 255 25
 - 3011 Alcatel IPP2 1 255 255 255 40
 - 3012 1 255 255 255 4022 (4020 &
 - 3032 Mummy Doe 1 0 7 0 ANALOG
 - 3033 Daddy Doe 1 0 7 1 ANALOG 1
 - 3034 Brother Doe 1 0 7 2 ANALOG
 - 3035 Sister Doe 1 0 7 3 ANALOG 1
 - 3038 uk_test_1 1 255 255 255 IPTc
 - 3039 uk_test_2 1 255 255 255 IPTc
 - 3050 Alcatel SIP0 1 255 255 255 Ext
 - 3051 Alcatel SIP1 1 255 255 255 Ext
 - 7000 Little Doe 1 0 2 5 4035T 1
 - 7001 Doe Doe 1 0 2 6 4035T 1
 - Users by profile
 - Set Profile
 - Groups
 - Speed Dialing
 - Phone Book
 - Entities
 - Trunk Groups
 - External Services
 - Inter-Node Links
 - X25
 - DATA
 - Applications
 - Specific Telephone Services
 - ATM
 - Events Routing Discriminator
 - Security and Access Control
 - IP
 - SIP
 - DHCP Configuration
 - IPTouch

Configuration

nextiraone	
Directory Number	3003
Supervision at off-hook	<input type="checkbox"/>
Automatic Outgoing Seizure for MLA	<input type="checkbox"/>
Dialed number masked	NO
Access Code to UUS messages	NO
Routing Table	0
Associated Videophone	<input type="checkbox"/>
VIP (Very Important Pers.)	<input type="checkbox"/>
Assistant Directory Number	3003
Calls Priority	0
PCBT Associated	NO
Urgent Call	NO
PIN (Personal Ident.No.)	
PIN No.	
PIN With Secret Code	<input checked="" type="checkbox"/>
Type of control	By COS
PIN group number	1
Can be Called/Dialed By Name	YES
Phone book Name (Dial by name)	Jane Doe
Phone book First Name	
Displayed Name	Jane Doe
Remote UA	<input type="checkbox"/>
Errors on Secret Code Counter	0
ACD station	NO
NS Right (Notification server)	NO
Incidents Teleservice	NO
CSTA routing	<input type="checkbox"/>
Voice Guide listening Class	7
Caller COS	4
VSI Transparency	<input type="checkbox"/>
Type of Keyboard	Default keyboard

General Characteristics PIN Assoc.Sets Rights Profile VoiceMail

Facilities Set Characteristics Hotel SIP_Attributes Miscellaneous All Action



Configure Digital Station 4 of 5

Configuration: nextiraone

Networks PCX

nextiraone

- Shelf
 - 0 ACT-10 Interfaces Main ACT Shelf
 - 1 ACT-10 Interfaces Peripheral ACT
 - 19 Hybrid Peripheral ACT Shelf No
- Media Gateway
- PWT/DECT System
- System
- Translator
- Classes of Service
- Attendant
- Users
 - 3001 Jack Doe 1 0 2 1 4035T 1
 - 3002 Jill Doe 1 0 2 2 4035T 1
 - 3003 Jane Doe 1 0 2 3 4035T 1
 - 3004 Big Doe 1 0 2 4 4035T 1
 - 3010 alcatel ipphone1 1 255 255 25
 - 3011 Alcatel IPP2 1 255 255 255 40
 - 3012 1 255 255 255 4022 (4020 &
 - 3032 Mummy Doe 1 0 7 0 ANALOG
 - 3033 Daddy Doe 1 0 7 1 ANALOG 1
 - 3034 Brother Doe 1 0 7 2 ANALOG
 - 3035 Sister Doe 1 0 7 3 ANALOG 1
 - 3038 uk_test_1 1 255 255 255 IPTC
 - 3039 uk_test_2 1 255 255 255 IPTC
 - 3050 Alcatel SIP0 1 255 255 255 Ext
 - 3051 Alcatel SIP1 1 255 255 255 Ext
 - 7000 Little Doe 1 0 2 5 4035T 1
 - 7001 Doe Doe 1 0 2 6 4035T 1
- Users by profile
- Set Profile
- Groups
- Speed Dialing
- Phone Book
- Entities
- Trunk Groups
- External Services
- Inter-Node Links
- X25
- DATA
- Applications
- Specific Telephone Services
- ATM
- Events Routing Discriminator
- Security and Access Control
- IP
- SIP
- DHCP Configuration
- IPTruch

Configuration

nextiraone

Directory Number	3003
VSI Transparency	<input type="checkbox"/>
Type of Keyboard	Default keyboard
Errors on Business Code Counter	0
STAP	Off-hook
Tandem	
Tandem Directory Number	
Main set in the tandem	<input type="checkbox"/>
Partial busy	<input type="checkbox"/>
Ringing in partial busy	Long Ring
Specific supervision	<input type="checkbox"/>
Use Personal Calling Number	<input type="checkbox"/>
UA 3G features	
Emulation	UA 3G
4035 Features	
Navigator	UA 3G
Group PIN control	No group
CCA Operations	<input type="checkbox"/>
A4980	No 4980
Z IVR	<input type="checkbox"/>
NOMADIC	<input type="checkbox"/>
TAPI premium server	NO
Conference group	-1
Announcement group	-1
Call Restriction COS	0
Applicable Restriction COS	0
Implicit Priority	
Activation mode	0
Priority Level	0
Explicit Priority	
Activation mode	

General Characteristics PIN Assoc.Sets Rights Profile VoiceMail

Facilities Set Characteristics Hotel SIP_Attributes Miscellaneous All Action



Configure Digital Station 5 of 5

Configuration: nextiraone

NETWORKS PCX

- nextiraone
 - Shelf
 - 0 ACT-10 Interfaces Main ACT Shelf
 - 1 ACT-10 Interfaces Peripheral ACT
 - 19 Hybrid Peripheral ACT Shelf No N
 - Media Gateway
 - PWT/DECT System
 - System
 - Translator
 - Classes of Service
 - Attendant
 - Users
 - 3001 Jack Doe 1 0 2 1 4035T 1
 - 3002 Jill Doe 1 0 2 2 4035T 1
 - 3003 Jane Doe 1 0 2 3 4035T 1
 - 3004 Big Doe 1 0 2 4 4035T 1
 - 3010 alcatel ipphone1 1 255 255 25
 - 3011 Alcatel IPP2 1 255 255 255 40
 - 3012 1 255 255 255 4022 (4020 &
 - 3032 Mummy Doe 1 0 7 0 ANALOG
 - 3033 Daddy Doe 1 0 7 1 ANALOG 1
 - 3034 Brother Doe 1 0 7 2 ANALOG
 - 3035 Sister Doe 1 0 7 3 ANALOG 1
 - 3038 uk_test_1 1 255 255 255 IPTc
 - 3039 uk_test_2 1 255 255 255 IPTc
 - 3050 Alcatel SIP0 1 255 255 255 Ex
 - 3051 Alcatel SIP1 1 255 255 255 Ex
 - 7000 Little Doe 1 0 2 5 4035T 1
 - 7001 Doe Doe 1 0 2 6 4035T 1
 - Users by profile
 - Set Profile
 - Groups
 - Speed Dialing
 - Phone Book
 - Entities
 - Trunk Groups
 - External Services
 - Inter-Node Links
 - X25
 - DATA
 - Applications
 - Specific Telephone Services
 - ATM
 - Events Routing Discriminator
 - Security and Access Control
 - IP
 - SIP
 - DHCP Configuration
 - IPTrunk

nextiraone	
Directory Number	3003
Navigator	UA 3G
Group PIN control	No group
CCA Operations	<input type="checkbox"/>
A4980	No 4980
Z IVR	<input type="checkbox"/>
NOMADIC	<input type="checkbox"/>
TAPI premium server	NO
Conference group	-1
Announcement group	-1
Call Restriction COS	0
Applicable Restriction COS	0
Implicit Priority	
Activation mode	0
Priority Level	0
Explicit Priority	
Activation mode	0
Priority Level	0
Pre-emptable Primary Inc. Line	NO
Pre-emptable Secondary Inc. Line	NO
Priority Presentation	NO
lth Service type	Not Valid
CUG List Number	-1
Preferential CUG	-1
CUG Outgoing Access	<input type="checkbox"/>
CUG Incoming Access	<input type="checkbox"/>
Automatic reconfiguration	CTQ Forbidden - Connection TO
URL UserName	
URL Domain	
Advanced configuration	<input type="checkbox"/>

General Characteristics PIN Assoc.Sets Rights Profile VoiceMail

Facilities Set Characteristics Hotel SIP_Attributes Miscellaneous All Action



Configure Digital Station Phone Facilities 1 of 7

Configuration: nextiraone

Networks PCX

- nextiraone
 - Shelf
 - Media Gateway
 - PWT/DECT System
 - System
 - Translator
 - Classes of Service
 - 1
 - Access COS
 - Connection COS
 - Transfer COS
 - Private Calls Connect.COS
 - Phone Features COS
 - 0 000010000110000100
 - 1 00001100000000000000
 - 2 00001100000000000000
 - 3 00000000000000000000
 - 4 00000000000000000000
 - 5 00000000000000000000
 - 6 00000000000000000000
 - 7 00000000000000000000
 - 8 00000000000000000000
 - 9 00000000000000000000
 - 10 000010000111100101
 - 11 000010000111100101
 - 12 011001011111100101
 - 13 000010000111100101
 - 14 111010000111100101
 - 15 111011100101011111
 - 16 00000000000000000000
 - 17 00000000000000000000
 - 18 00000000000000000000
 - 19 00000000000000000000
 - 20 00000000000000000000
 - 21 00000000000000000000
 - 22 00000000000000000000
 - 23 00000000000000000000
 - 24 00000000000000000000
 - 25 00000000000000000000
 - 26 00000000000000000000
 - 27 00000000000000000000
 - 28 00000000000000000000
 - 29 00000000000000000000
 - 30 111001111000000001
 - 31 11101110000001101
 - Attendant
 - Users
 - Users by profile
 - Set Profile

Configuration

nextiraone:1

Phone Features COS	
Rights Prot.against dir.call pickup	0
Rights Protected against all barge-in	0
Rights Protected against set barge-in	0
Rights Outgoing calls only	0
Rights Forward to external No.	1
Rights Prot.against multi-I ringing	0
Rights Protected against forwarding	0
Rights Protected (against barge-in, etc.)	0
Rights Prot.against call announc.	0
Rights Remote wake-up/appointment	0
Rights Auto.call back satell.trk grp	1
Rights Transfer on no answer	1
Rights ISDN remote charge service	0
Rights Bypass on forwarding	0
Rights Prot.against bypass onforward	0
Rights Interphony	0
Rights Secret Code, Repertory Key	1
Rights Night Serv.Answ.Pick up	0
Rights Night Serv.Direct call pick-up	0
Rights Attendant Call Privil.on PAI	0
Rights Busy priv.to public overfl.	0
Rights Server-Minitel PC	0
Rights Prot.against Priv.Call	0
Rights Prot.against.Rem.Forward.	0
Rights Beep On Ext.Call	0
Rights O/S private to public overflow	0
Rights Transfer outgoing - incoming	1
Rights Transfer Outgoing-Outgoing	1
Rights PCX Calls Follow Ext. forwarding	1
Rights Mask ID.name Only for ext.calls	0

All



Configure Digital Station Phone Facilities 2 of 7

The screenshot displays the Cisco Configuration Manager interface for configuring Phone Features COS. The left pane shows a tree view with 'Phone Features COS' selected. The right pane shows a configuration table for 'nextiraone:1'.

nextiraone:1	
Phone Features COS	0
Rights Mask ID.name Only for ext.calls	0
Rights Ringing tone In Handset	1
Rights No Text Msg reception	0
Rights No Callback On Free Set	0
Rights No Callback On Busy Set	0
Rights Override Att Control of TG (Resv)	0
Rights No Substitution	0
Rights Reserved or Att Control	0
Rights Lock Key	0
Rights Prot.against Guest Private Call	0
Rights Prot.against VIP Private Call	0
Rights Prot.against Private Call res1	0
Rights Prot.against Private Call res2	0
Rights Prot.against Automatic answer	0
Rights Authorized DISA unlocking	0
Rights Timed Call Release	0
Rights Calling name display (CNIP/-CNAM)	0
Rights Int. calls overflow if caller	0
Rights Int. calls overflow if called	0
Rights Record Authorization	0
Rights Casual Conference	0
Rights Silent Connection on Agent	0
Rights Virtual set on CMP board	0
Routing Mode At Off-hook	NO Routing
Inter-Company Calling Right	<input type="checkbox"/>
Set features Immediate forward	1
Set features Immediate forward on busy	1
Set features Forward on no answer	1
Set features Forward on busy or no answer	1
Set features Forward cancellation	1



Configure Digital Station Phone Facilities 3 of 7

Configuration: nextiraone

Networks PCX

- nextiraone
 - Shelf
 - Media Gateway
 - PWT/DECT System
 - System
 - Translator
 - Classes of Service
 - 1
 - Access COS
 - Connection COS
 - Transfer COS
 - Private Calls Connect.COS
 - Phone Features COS
 - 0 00001000011000100
 - 1 0000110000000000000
 - 2 0000110000000000000
 - 3 0000000000000000000
 - 4 0000000000000000000
 - 5 0000000000000000000
 - 6 0000000000000000000
 - 7 0000000000000000000
 - 8 0000000000000000000
 - 9 0000000000000000000
 - 10 00001000011100101
 - 11 00001000011100101
 - 12 01100101111100101
 - 13 00001000011100101
 - 14 11101000011100101
 - 15 11101100101011111
 - 16 0000000000000000000
 - 17 0000000000000000000
 - 18 0000000000000000000
 - 19 0000000000000000000
 - 20 0000000000000000000
 - 21 0000000000000000000
 - 22 0000000000000000000
 - 23 0000000000000000000
 - 24 0000000000000000000
 - 25 0000000000000000000
 - 26 0000000000000000000
 - 27 0000000000000000000
 - 28 0000000000000000000
 - 29 0000000000000000000
 - 30 11100111000000001
 - 31 11101110000001101

Attendant

Users

Users by profile

Set Profile

Configuration

nextiraone:1

Phone Features COS	
Set features Forward cancellation	1
Set features Forward cancel.by destinat.	0
Set features Overfl.on no answer to associate	0
Set features Cancel Overfl.to associate	0
Set features Sta. group exit	0
Set features Sta. group entry	0
Set features Protect. against barge-in & beeps	0
Set features Lock	0
Set features Auto-assignment	0
Set features Substitution	0
Set features Password modification	0
Set features Accounting/Chargeback Readout	0
Set features Do not disturb	0
Set features Set Out/In of Service	1
Set features Associated Direct. No. modif.	0
Set features Remote forward	0
Set features Cancel Remote forward	0
Set features Unused	0
Set features Cancel auto. callback on busy	1
Set features Personal directory Programming	0
Set features Personal Directory Use	0
Set features Language	0
Set features Adjust Display Visibility	1
Set features Access and Review Alarms	0
Set features Camp-on Control	0
Set features Overfl.busy to assoc.set	0
Set features Overfl.busy/no answer to assoc.set	0
Set features Voice Guide Listening	0
Set features Suite Do Not Disturb	0
Set features No Ringing	0

All



Configure Digital Station Phone Facilities 4 of 7

The screenshot displays the Cisco configuration interface for a device named 'nextiraone'. The left sidebar shows a tree view of the configuration hierarchy, with 'Phone Features COS' selected under 'Classes of Service'. The main window shows the configuration for 'nextiraone:1', which is a table of features and their status (0 or 1).

nextiraone:1	
Phone Features COS	0
Set features No Ringing	0
Set features Tandem: Assistant Away	0
Set features Tandem: Filter activation	0
Set features Force Set Type Identification	0
Set features Privileged substitution	0
Set features Ubiquity Mobile Programming	0
Set features Ubiquity	0
General Services Group call pickup	1
General Services Direct call pickup	1
General Services Processing group call pickup	0
PCX Services Speed call to associated set	1
PCX Services Access Callback list	1
PCX Services Last Caller Callback	1
PCX Services Paging call answer	0
PCX Services Voice Mail Access	0
PCX Services Wake-up/appointment reminder	0
PCX Services Tone test	0
PCX Services Collect telex	0
PCX Services Collect text	0
PCX Services Collect fax	0
PCX Services Message deposit	0
PCX Services Text deposit	0
PCX Services Image deposit	0
PCX Services ACD Prefixes	0
PCX Services Meet-me Conference	0
PCX Services Cancel Wake-up	0
PCX Services Switch off Message LED	0
PCX Services Room status management	0
PCX Services Mini-bar	0
PCX Services Voice Mail Manager Access	0



Configure Digital Station Phone Facilities 5 of 7

The screenshot shows the Cisco configuration interface for a device named 'nextiraone'. The left sidebar displays a tree view of the configuration hierarchy, with 'Phone Features COS' selected. The main window shows a table of configuration parameters for 'nextiraone:1'.

nextiraone:1	
Phone Features COS	0
PCX Services Conversation Recording	0
PCX Services PCX address in DPNSS	0
PCX Services Direct Paging Call	0
PCX Services Infocenter	0
PCX Services Voice Mail Deposit	0
PCX Services Select Primary Line	0
PCX Services Select Secondary Line	0
PCX Services Z dialing Behind UA	0
PCX Services Mask remote identity	0
PCX Services Recordable Voice Guides	0
PCX Services Suite Wake-up	0
PCX Services Suite Wake-up Cancel	0
PCX Services Physical Room Call	0
PCX Services Under A4980 Control	0
PCX Services Manual Add-on Conference	0
PCX Services Automatic Add-on Conference	0
PCX Services Announcement	0
PCX Services Automatic Answering	0
PCX Services Call Restriction Service	0
PCX Services Explicit Priority	0
PCX Services Intercom Service Loop	0
PCX Services Explicit Precedence level	0
PCX Services CUG Call	1
PCX Services Background Music	1
External Services Direct trunk seizure	1
External Services Business account code	0
External Services Redial last number	1
External Services Night service answering	0
External Services DTMF Frequencies test	0
External Services Park Call/Retrieve	1



Configure Digital Station Phone Facilities 6 of 7

Configuration: nextiraone

Networks PCX

- nextiraone
 - Shelf
 - Media Gateway
 - PWT/DECT System
 - System
 - Translator
 - Classes of Service
 - 1
 - Access COS
 - Connection COS
 - Transfer COS
 - Private Calls Connect COS
 - Phone Features COS
 - 0 000010000110000100
 - 1 000011000000000000
 - 2 000011000000000000
 - 3 000000000000000000
 - 4 000000000000000000
 - 5 000000000000000000
 - 6 000000000000000000
 - 7 000000000000000000
 - 8 000000000000000000
 - 9 000000000000000000
 - 10 00001000011100101
 - 11 00001000011100101
 - 12 01100101111100101
 - 13 00001000011100101
 - 14 11101000011100101
 - 15 11101100101011111
 - 16 000000000000000000
 - 17 000000000000000000
 - 18 000000000000000000
 - 19 000000000000000000
 - 20 000000000000000000
 - 21 000000000000000000
 - 22 000000000000000000
 - 23 000000000000000000
 - 24 000000000000000000
 - 25 000000000000000000
 - 26 000000000000000000
 - 27 000000000000000000
 - 28 000000000000000000
 - 29 000000000000000000
 - 30 11100111000000001
 - 31 111011100000001101
 - Attendant
 - Users
 - Users by profile
 - Set Profile

Configuration

nextiraone:1

Phone Features COS		
External Services Waiting call Consultation / Access		0
External Services Rotary End-to-End Signal.		1
External Services DTMF End-to-End Signal.		1
External Services Malicious call		0
External Services Common Hold		0
External Services Priority of Call		0
External Services Secret/Identity		1
External Services Alphanumeric Paging		0
External Services Manual Hold		1
Suffixes Broker Call		0
Suffixes Three-Party conference		1
Suffixes Barge-in		1
Suffixes Callback on free or busy set		1
Suffixes Camp-on Waiting		0
Suffixes Speaker Paging		0
Suffixes Call announce through speaker		0
Suffixes Consultation Call		1
Suffixes Paging request		0
Suffixes Business number		0
Suffixes Rotary End-to-End Dialing		1
Suffixes DTMF end-to-end dialing		1
Suffixes Malicious Call		0
Suffixes Voice Mail Message Deposit		0
Suffixes Camp-on Control		0
Suffixes Voice Mail Access		0
Suffixes By pass on Do Not Distrub		0
Speed Dialing Area Area 0		1
Speed Dialing Area Area 1		1
Speed Dialing Area Area 2		1
Speed Dialing Area Area 3		1
Speed Dialing Area Area 4		1

All



Configure Digital Station Phone Facilities 7 of 7

Configuration: nextiraone

Networks PCX

- nextiraone
 - Shelf
 - Media Gateway
 - PWT/DECT System
 - System
 - Translator
 - Classes of Service
 - 1
 - Access COS
 - Connection COS
 - Transfer COS
 - Private Calls Connect COS
 - Phone Features COS
 - 0 000010000110000100
 - 1 000011000000000000
 - 2 000011000000000000
 - 3 000000000000000000
 - 4 000000000000000000
 - 5 000000000000000000
 - 6 000000000000000000
 - 7 000000000000000000
 - 8 000000000000000000
 - 9 000000000000000000
 - 10 00001000011100101
 - 11 00001000011100101
 - 12 01100101111100101
 - 13 00001000011100101
 - 14 11101000011100101
 - 15 11101100101011111
 - 16 000000000000000000
 - 17 000000000000000000
 - 18 000000000000000000
 - 19 000000000000000000
 - 20 000000000000000000
 - 21 000000000000000000
 - 22 000000000000000000
 - 23 000000000000000000
 - 24 000000000000000000
 - 25 000000000000000000
 - 26 000000000000000000
 - 27 000000000000000000
 - 28 000000000000000000
 - 29 000000000000000000
 - 30 11100111000000001
 - 31 11101100000001101
 - Attendant
 - Users
 - Users by profile
 - Set Profile

Configuration

nextiraone:1

Phone Features COS	
Speed Dialing Area Area 6	1
Speed Dialing Area Area 7	1
Speed Dialing Area Area 8	1
Speed Dialing Area Area 9	1
Speed Dialing Area Area 10	1
Speed Dialing Area Area 11	1
Speed Dialing Area Area 12	1
Speed Dialing Area Area 13	1
Speed Dialing Area Area 14	1
Speed Dialing Area Area 15	1
Speed Dialing Area Area 16	1
Speed Dialing Area Area 17	1
Speed Dialing Area Area 18	1
Speed Dialing Area Area 19	1
Speed Dialing Area Area 20	1
Speed Dialing Area Area 21	1
Speed Dialing Area Area 22	1
Speed Dialing Area Area 23	1
Speed Dialing Area Area 24	1
Speed Dialing Area Area 25	1
Speed Dialing Area Area 26	1
Speed Dialing Area Area 27	1
Speed Dialing Area Area 28	1
Speed Dialing Area Area 29	1
Speed Dialing Area Area 30	1
Speed Dialing Area Area 31	1
Voice Mail Forwarding	Ring Final Set Mail
Default Overflow Type	No forward
Default Overflow Addressee	Nothing
Quality profile for voice over IP	Profile #2

All



Configuring the Cisco Unified Communication Manager

CUCM Version

Cisco Unified Communications Manager Console - Windows Internet Explorer

https://172.20.221.254:8443/cmadmin/showHome.do

Certificate Error

Google

File Edit View Favorites Tools Help

Google

Service Parameter Configura... Cisco Unified Communica... x

Cisco Unified CM Administration
For Cisco Unified Communications Solutions

Navigation Cisco Unified CM Administration Go

administrator About Logout

System Call Routing Media Resources Voice Mail Device Application User Management Bulk Administration Help

Cisco Unified CM Administration

System version: 6.0.1.1000-37

Copyright © 1999 - 2006 Cisco Systems, Inc.
All rights reserved.

This product contains cryptographic features and is subject to United States and local country laws governing import, export, transfer and use. Delivery of Cisco cryptographic products does not imply third-party authority to import, export, distribute or use encryption. Importers, exporters, distributors and users are responsible for compliance with U.S. and local country laws. By using this product you agree to comply with applicable laws and regulations. If you are unable to comply with U.S. and local laws, return this product immediately.

A summary of U.S. laws governing Cisco cryptographic products may be found at: <http://www.cisco.com/wwl/export/crypto/tool/stqrg.html>.
If you require further assistance please contact us by sending email to export@cisco.com.

Done Local intranet 100%



Configuring the Cisco 3825-E1 Gateway

The screenshot shows the Cisco Unified CM Administration interface for configuring a Cisco 3825 gateway. The browser window title is "Gateway Configuration - Windows Internet Explorer". The address bar shows the URL: <https://172.20.221.254:8443/ccmadmin/gatewayEdit.do?key=7834080b-51e5-e473-e33a-de12ef7a>. The page header includes the Cisco logo and "Cisco Unified CM Administration For Cisco Unified Communications Solutions". The navigation menu includes System, Call Routing, Media Resources, Voice Mail, Device, Application, User Management, Bulk Administration, and Help. The current page is "Gateway Configuration" with a "Related Links: Back To Find/List" button.

Gateway Details

Product	Cisco 3825
Gateway	Vindaloo
Protocol	MGCP
Domain Name*	Vindaloo
Description	3825 Gateway to Alcatel
Cisco Unified Communications Manager Group*	Default

Configured Slots, VICs and Endpoints

Module in Slot 0	NM-4VWIC-MBRD				
Subunit 0	VWIC-2MFT-T1	0/0/ 0	0/0/ 1		
Subunit 1	VIC3-4FXS/DID	0/1/ 0	0/1/ 1	0/1/ 2	0/1/ 3
Subunit 2	VIC2-2FXO	0/2/ 0	0/2/ 1		
Subunit 3	< None >				
Module in Slot 1	NM-HDV				
Subunit 0	VWIC-2MFT-E1	1/0/ 0	1/0/ 1		
Module in Slot 2	< None >				

Product Specific Configuration Layout

Global ISDN Switch Type	EURO
Switchback Timing*	Graceful
Switchback uptime-delay (min)	10
Switchback schedule (hh:mm)	12:00
Type Of DTMF Relay*	Current GW Config

Buttons: Save, Delete, Reset, Add New



Cisco 3825-E1 Gateway Configuration port 1/0/0 (1 of 3)

The screenshot shows the Cisco Unified CM Administration web interface in Internet Explorer. The browser address bar shows the URL: https://172.20.221.254:8443/ccadmin/gatewayEdit.do?key=9bc6e665-7bbe-f52f-a97f-cdb70e2391. The page title is "Gateway Configuration - Windows Internet Explorer". The main content area is titled "Gateway Configuration" and includes a "Status" section showing "Status: Ready". Below this is the "Device Information" section, which contains a table of configuration parameters:

Product	Cisco MGCP E1 Port
Gateway	Vindaloo
Device Protocol	Digital Access PRI
Registration	Registered with Cisco Unified Communications Manager CM-Vindaloo
IP Address	172.20.221.202
End-Point Name *	S1/SU0/DS1-0@Vindaloo
Description	<input type="text" value="S1/SU0/DS1-0@Vindaloo"/>
Device Pool *	<input type="text" value="Default"/>
Common Device Configuration	<input type="text" value="< None >"/>
Call Classification *	<input type="text" value="Use System Default"/>
NetworkLocale	<input type="text" value="< None >"/>
Packet Capture Mode *	<input type="text" value="None"/>
Packet Capture Duration	<input type="text" value="0"/>
Media Resource Group List	<input type="text" value="< None >"/>
Location *	<input type="text" value="Hub_None"/>
AAR Group	<input type="text" value="< None >"/>
Load Information	<input type="text" value=""/>

Below the table are two checkboxes: Transmit UTF-8 for Calling Party Name and V150 (subset). The "Multilevel Precedence and Preemption (MLPP) Information" section shows: MLPP Domain: , MLPP Indication: Not available on this device, and MLPP Preemption: Not available on this device. The browser status bar at the bottom shows "Done" and "Local intranet".



Cisco 3825-E1 Gateway Configuration port 1/0/0 (2 of 3)

The screenshot shows the Cisco Unified CM Administration web interface in Internet Explorer. The browser address bar shows the URL: <https://172.20.221.254:8443/ccadmin/gatewayEdit.do?key=9bc6e665-7bbe-f52f-a97f-cdb70e2391>. The page title is "Gateway Configuration - Windows Internet Explorer".

The main content area is titled "Gateway Configuration" and includes a navigation menu with options like System, Call Routing, Media Resources, Voice Mail, Device, Application, User Management, Bulk Administration, and Help. The user is logged in as "administrator".

The configuration page is divided into three main sections:

- Interface Information:**
 - PRI Protocol Type*: PRI ISO QSIG E1
 - Protocol Side*: User
 - Channel Selection Order*: Top Down
 - Channel IE Type*: Timeslot Number
 - PCM Type*: A-law
 - Delay for first restart (1/8 sec ticks)*: 32
 - Delay between restarts (1/8 sec ticks)*: 4
 - Inhibit restarts at PRI initialization
 - Enable status poll
 - Unattended Port
- Call Routing Information - Inbound Calls:**
 - Significant Digits*: All
 - Calling Search Space: < None >
 - AAR Calling Search Space: < None >
 - Prefix DN: (empty)
- Call Routing Information - Outbound Calls:**
 - Calling Party Presentation*: Default
 - Calling Party Selection*: Originator
 - Called party IE number type unknown*: Unknown
 - Calling party IE number type unknown*: Unknown
 - Called Numbering Plan*: Private
 - Calling Numbering Plan*: Private
 - Number of digits to strip*: 0
 - Caller ID DN: (empty)
 - CMR Data Sent*: (empty)

At the bottom of the configuration area, there are buttons for "Save", "Delete", and "Reset". The status bar at the bottom of the browser shows "Done" and "Local intranet".



Cisco 3825-E1 Gateway Configuration port 1/0/0 (3 of 3)

Gateway Configuration - Windows Internet Explorer

Address bar: <https://172.20.221.254:8443/ccmadmin/gatewayEdit.do?key=9bc6e665-7bbe-f52f-a97f-cdb70e2391>

Navigation: Cisco Unified CM Administration

System | Call Routing | Media Resources | Voice Mail | Device | Application | User Management | Bulk Administration | Help

Gateway Configuration Related Links: [Back to MGCP Configuration](#)

Save Delete Reset

SMDI Base Port*

PRI Protocol Type Specific Information

- Display IE Delivery
- Redirecting Number IE Delivery - Outbound
- Redirecting Number IE Delivery - Inbound
- Send Extra Leading Character in Display IE***
- Setup non-ISDN Progress Indicator IE Enable****
- MCDN Channel Number Extension Bit Set to Zero**
- Send Calling Name In Facility IE
- Interface Identifier Present**

Interface Identifier Value**

Connected Line ID Presentation (QSIG Inbound Call)*

UUIE Configuration

- Passing Precedence Level Through UUIE

Security Access Level*

Product Specific Configuration Layout

Line Coding* ?

Framing*

Clock*

Input Gain (-6..14 db)*

Output Attenuation (-6..14 db)*

Echo Cancellation Enable*

Echo Cancellation Coverage (ms)*

Done Local intranet 100%



Cisco 3825-E1 Gateway Configuration port 1/0/1 (1 of 3)

The screenshot shows the Cisco Unified CM Administration web interface in Internet Explorer. The browser address bar shows the URL: <https://172.20.221.254:8443/ccadmin/gatewayEdit.do?key=749ced7a-799e-2e47-da66-c0c6c9549>. The page title is "Gateway Configuration - Windows Internet Explorer".

The main content area is titled "Gateway Configuration" and includes a "Related Links" section with a link to "Back to MGCP Configuration". Below this are "Save", "Delete", and "Reset" buttons.

Status
Status: Ready

Device Information

Product	Cisco MGCP E1 Port
Gateway	Vindaloo
Device Protocol	Digital Access PRI
Registration	Registered with Cisco Unified Communications Manager CM-Vindaloo
IP Address	172.20.221.202
End-Point Name *	S1/SU0/DS1-1@Vindaloo
Description	<input type="text" value="S1/SU0/DS1-1@Vindaloo"/>
Device Pool*	<input type="text" value="Default"/>
Common Device Configuration	<input type="text" value="< None >"/>
Call Classification*	<input type="text" value="Use System Default"/>
NetworkLocale	<input type="text" value="< None >"/>
Packet Capture Mode*	<input type="text" value="None"/>
Packet Capture Duration	<input type="text" value="0"/>
Media Resource Group List	<input type="text" value="< None >"/>
Location*	<input type="text" value="Hub_None"/>
AAR Group	<input type="text" value="< None >"/>
Load Information	<input type="text" value=""/>

Transmit UTF-8 for Calling Party Name
 V150 (subset)

Multilevel Precedence and Preemption (MLPP) Information

MLPP Domain	<input type="text" value="< None >"/>
MLPP Indication	Not available on this device
MLPP Preemption	Not available on this device

The status bar at the bottom shows "Done" and "Local intranet".



Cisco 3825-E1 Gateway Configuration port 1/0/1 (2 of 3)

The screenshot shows the Cisco Unified CM Administration web interface in Internet Explorer. The browser address bar shows the URL: <https://172.20.221.254:8443/ccadmin/gatewayEdit.do?key=749ced7a-799e-2e47-da66-c0c6c9549>. The page title is "Gateway Configuration - Windows Internet Explorer".

The main content area is titled "Gateway Configuration" and includes a navigation menu with options like System, Call Routing, Media Resources, Voice Mail, Device, Application, User Management, Bulk Administration, and Help. The user is logged in as "administrator".

The configuration form is divided into three sections:

- Interface Information:**
 - PRI Protocol Type*: PRI ISO QSIG E1
 - Protocol Side*: Network
 - Channel Selection Order*: Top Down
 - Channel IE Type*: Timeslot Number
 - PCM Type*: A-law
 - Delay for first restart (1/8 sec ticks)*: 32
 - Delay between restarts (1/8 sec ticks)*: 4
 - Inhibit restarts at PRI initialization
 - Enable status poll
 - Unattended Port
- Call Routing Information - Inbound Calls:**
 - Significant Digits*: All
 - Calling Search Space: < None >
 - AAR Calling Search Space: < None >
 - Prefix DN: (empty)
- Call Routing Information - Outbound Calls:**
 - Calling Party Presentation*: Default
 - Calling Party Selection*: Originator
 - Called party IE number type unknown*: Unknown
 - Calling party IE number type unknown*: Unknown
 - Called Numbering Plan*: Private
 - Calling Numbering Plan*: Private
 - Number of digits to strip*: 0
 - Caller ID DN: (empty)
 - SMDI Base Port*: 0

The status bar at the bottom shows "Done" and "Local intranet".



Cisco 3825-E1 Gateway Configuration port 1/0/1 (3 of 3)



Enbloc Route Configuration 3XXX (1 of 2)

Route Pattern Configuration - Windows Internet Explorer

https://172.20.221.254:8443/ccadmin/routePattern2Edit.do?key=47b03892-1b0e-ca47-c8ae-d621

Cisco Unified CM Administration
For Cisco Unified Communications Solutions

Navigation Cisco Unified CM Administration administrator About Logout

System Call Routing Media Resources Voice Mail Device Application User Management Bulk Administration Help

Route Pattern Configuration Related Links: Back To Find/List Go

Save Delete Copy Add New

Status
Status: Ready

Pattern Definition

Route Pattern* 3XXX

Route Partition < None >

Description Route to NextiraOne

Numbering Plan -- Not Selected --

Route Filter < None >

MLPP Precedence* Default

Gateway/Route List* S1/SU0/DS1-1@Vindaloo (Edit)

Route Option
 Route this pattern
 Block this pattern No Error

Call Classification* OffNet

Allow Device Override Provide Outside Dial Tone Allow Overlap Sending Urgent Priority

Require Forced Authorization Code

Authorization Level* 0

Require Client Matter Code

Calling Party Transformations

Use Calling Party's External Phone Number Mask

Calling Party Transform Mask

Prefix Digits (Outgoing Calls)

Calling Line ID Presentation* Default

Calling Name Presentation* Default

Connected Party Transformations

Done Local intranet 100%



Enbloc Route Configuration 3XXX (2 of 2)

Route Pattern Configuration - Windows Internet Explorer

https://172.20.221.254:8443/ccadmin/routePattern2Edit.do?key=47b03892-1b0e-ca47-c8ae-d621

Cisco Unified CM Administration
For Cisco Unified Communications Solutions

Navigation Cisco Unified CM Administration administrator About Logout

System Call Routing Media Resources Voice Mail Device Application User Management Bulk Administration Help

Route Pattern Configuration

Related Links: Back To Find/List Go

Save Delete Copy Add New

Authorization Level* 0

Require Client Matter Code

Calling Party Transformations

Use Calling Party's External Phone Number Mask

Calling Party Transform Mask

Prefix Digits (Outgoing Calls)

Calling Line ID Presentation* Default

Calling Name Presentation* Default

Connected Party Transformations

Connected Line ID Presentation* Default

Connected Name Presentation* Default

Called Party Transformations

Discard Digits < None >

Called Party Transform Mask

Prefix Digits (Outgoing Calls)

ISDN Network-Specific Facilities Information Element

Network Service Protocol -- Not Selected --

Carrier Identification Code

Network Service	Service Parameter Name	Service Parameter Value
-- Not Selected --	< Not Exist >	

Save Delete Copy Add New

i *- indicates required item.

Done Local intranet 100%



Enbloc Route Configuration 6XXX (1 of 2)

The screenshot shows the Cisco Unified CM Administration web interface in Internet Explorer. The browser address bar shows the URL: <https://172.20.221.254:8443/ccadmin/routePattern2Edit.do?key=1cd1776d-bacb-6248-a5ab-31b0>. The page title is "Route Pattern Configuration - Windows Internet Explorer".

The main content area is titled "Route Pattern Configuration" and includes a navigation menu with options like System, Call Routing, Media Resources, Voice Mail, Device, Application, User Management, Bulk Administration, and Help. The user is logged in as "administrator".

The configuration form is divided into several sections:

- Status:** Status: Ready
- Pattern Definition:**
 - Route Pattern*: 6XXX
 - Route Partition: < None >
 - Description: Route to Compidea
 - Numbering Plan: -- Not Selected --
 - Route Filter: < None >
 - MLPP Precedence*: Default
 - Gateway/Route List*: S1/SU0/DS1-0@Vindaloo (Edit)
 - Route Option: Route this pattern, Block this pattern (No Error)
 - Call Classification*: OffNet
 - Allow Device Override:
 - Provide Outside Dial Tone:
 - Allow Overlap Sending:
 - Urgent Priority:
 - Require Forced Authorization Code:
 - Authorization Level*: 0
 - Require Client Matter Code:
- Calling Party Transformations:**
 - Use Calling Party's External Phone Number Mask:
 - Calling Party Transform Mask: [Empty]
 - Prefix Digits (Outgoing Calls): [Empty]
 - Calling Line ID Presentation*: Default
 - Calling Name Presentation*: Default
- Connected Party Transformations:** [Empty]

The status bar at the bottom shows "Done" and "Local intranet".



Enbloc Route Configuration 6XXX (2 of 2)

Route Pattern Configuration - Windows Internet Explorer

https://172.20.221.254:8443/ccadmin/routePattern2Edit.do?key=1cd1776d-bacb-6248-a5ab-31b0

Cisco Unified CM Administration
For Cisco Unified Communications Solutions

Navigation Cisco Unified CM Administration administrator About Logout

System Call Routing Media Resources Voice Mail Device Application User Management Bulk Administration Help

Route Pattern Configuration

Related Links: Back To Find/List Go

Save Delete Copy Add New

Authorization Level* 0

Require Client Matter Code

Calling Party Transformations

Use Calling Party's External Phone Number Mask

Calling Party Transform Mask

Prefix Digits (Outgoing Calls)

Calling Line ID Presentation* Default

Calling Name Presentation* Default

Connected Party Transformations

Connected Line ID Presentation* Default

Connected Name Presentation* Default

Called Party Transformations

Discard Digits < None >

Called Party Transform Mask

Prefix Digits (Outgoing Calls)

ISDN Network-Specific Facilities Information Element

Network Service Protocol -- Not Selected --

Carrier Identification Code

Network Service	Service Parameter Name	Service Parameter Value
-- Not Selected --	< Not Exist >	

Save Delete Copy Add New

i *- indicates required item.

Done Local intranet 100%



PSTN Route Configuration (1 of 2)

The screenshot displays the Cisco Unified CM Administration web interface in Internet Explorer. The browser address bar shows the URL: `https://172.20.221.254:8443/cmadmin/routePattern2Edit.do?key=d3789e63-7b68-1dc1-fec6-6ae693af6b08`. The page title is "Route Pattern Configuration".

The interface includes a navigation menu with options like System, Call Routing, Media Resources, Voice Mail, Device, Application, User Management, Bulk Administration, and Help. The current page is "Route Pattern Configuration", and the user is logged in as "administrator".

The main configuration area is titled "Route Pattern Configuration" and includes a "Status" section showing "Status: Ready". Below this is the "Pattern Definition" section, which contains the following fields and options:

- Route Pattern*: 916503646325
- Route Partition: < None >
- Description: (empty)
- Numbering Plan: Not Selected
- Route Filter: < None >
- MLPP Precedence*: Default
- Gateway/Route List*: S1/SU0/DS1-1@Vindaloo (Edit)
- Route Option: Route this pattern, Block this pattern | No Error
- Call Classification*: OffNet
- Allow Device Override:
- Provide Outside Dial Tone:
- Allow Overlap Sending:
- Urgent Priority:
- Require Forced Authorization Code:
- Authorization Level*: 0
- Require Client Matter Code:

Below the Pattern Definition section is the "Calling Party Transformations" section, which includes:

- Use Calling Party's External Phone Number Mask:
- Calling Party Transform Mask: (empty)
- Prefix Digits (Outgoing Calls): (empty)
- Calling Line ID Presentation*: Default
- Calling Name Presentation*: Default

At the bottom, there is a "Connected Party Transformations" section, which is currently collapsed. The status bar at the bottom of the browser shows "Local intranet" and "100%".



PSTN Route Configuration (1 of 2)

Route Pattern Configuration - Windows Internet Explorer

https://172.20.221.254:8443/cmadmin/routePattern2Edit.do?key=d3789e63-7b68-1dc1-fec6-6ae693af6b08

Cisco Unified CM Administration
For Cisco Unified Communications Solutions

Navigation Cisco Unified CM Administration Go

administrator About Logout

System Call Routing Media Resources Voice Mail Device Application User Management Bulk Administration Help

Route Pattern Configuration

Related Links: Back To Find/List Go

Save Delete Copy Add New

Authorization Level: 0

Require Client Matter Code

Calling Party Transformations

Use Calling Party's External Phone Number Mask

Calling Party Transform Mask:

Prefix Digits (Outgoing Calls):

Calling Line ID Presentation*: Default

Calling Name Presentation*: Default

Connected Party Transformations

Connected Line ID Presentation*: Default

Connected Name Presentation*: Default

Called Party Transformations

Discard Digits: < None >

Called Party Transform Mask:

Prefix Digits (Outgoing Calls):

ISDN Network-Specific Facilities Information Element

Network Service Protocol: -- Not Selected --

Carrier Identification Code:

Network Service	Service Parameter Name	Service Parameter Value
-- Not Selected --	< Not Exist >	<input type="text"/>

Save Delete Copy Add New

i *- indicates required item.

Done Local Intranet 100%



Overlap Route Sending Configuration 3XXX (1 of 2)

Route Pattern Configuration - Windows Internet Explorer

https://172.20.221.254:8443/ccadmin/routePattern2Edit.do?key=3f77c52e-ec16-067a-7232-b0c2b Certificate Error Google

File Edit View Favorites Tools Help

Google G Go 0 blocked Check AutoLink AutoFill Send to Settings

Service Parameter Configura... Route Pattern Configura... x

Cisco Unified CM Administration For Cisco Unified Communications Solutions Navigation Cisco Unified CM Administration Go

administrator About Logout

System Call Routing Media Resources Voice Mail Device Application User Management Bulk Administration Help

Route Pattern Configuration Related Links: Back To Find/List Go

Save Delete Copy Add New

Status
Status: Ready

Pattern Definition

Route Pattern* 9.3

Route Partition < None >

Description Overlap Route to NextiraOne

Numbering Plan -- Not Selected --

Route Filter < None >

MLPP Precedence* Default

Gateway/Route List* S1/SU0/DS1-1@Vindaloo (Edit)

Route Option
 Route this pattern
 Block this pattern No Error

Call Classification* OffNet

Allow Device Override Provide Outside Dial Tone Allow Overlap Sending Urgent Priority

Require Forced Authorization Code

Authorization Level* 0

Require Client Matter Code

Calling Party Transformations

Use Calling Party's External Phone Number Mask

Calling Party Transform Mask

Prefix Digits (Outgoing Calls)

Calling Line ID Presentation* Default

Calling Name Presentation* Default

Connected Party Transformations

Done Local intranet 100%



Overlap Sending Route Configuration 3XXX (2 of 2)

Route Pattern Configuration - Windows Internet Explorer

https://172.20.221.254:8443/ccadmin/routePattern2Edit.do?key=3f77c52e-ec16-067a-7232-b0c2b Certificate Error Google

File Edit View Favorites Tools Help

Google G Go Bookmarks 0 blocked Check AutoLink AutoFill Send to Settings

Service Parameter Configura... Route Pattern Configura... x

Cisco Unified CM Administration For Cisco Unified Communications Solutions Navigation Cisco Unified CM Administration Go

administrator About Logout

System Call Routing Media Resources Voice Mail Device Application User Management Bulk Administration Help

Route Pattern Configuration Related Links: Back To Find/List Go

Save Delete Copy Add New

Authorization Level* 0

Require Client Matter Code

Calling Party Transformations

Use Calling Party's External Phone Number Mask

Calling Party Transform Mask

Prefix Digits (Outgoing Calls)

Calling Line ID Presentation* Default

Calling Name Presentation* Default

Connected Party Transformations

Connected Line ID Presentation* Default

Connected Name Presentation* Default

Called Party Transformations

Discard Digits PreDot

Called Party Transform Mask

Prefix Digits (Outgoing Calls)

ISDN Network-Specific Facilities Information Element

Network Service Protocol -- Not Selected --

Carrier Identification Code

Network Service	Service Parameter Name	Service Parameter Value
-- Not Selected --	< Not Exist >	

Save Delete Copy Add New

i *- indicates required item.

Done Local intranet 100%



Overlap Sending Route Configuration 6XXX (1 of 2)

Route Pattern Configuration - Windows Internet Explorer

https://172.20.221.254:8443/ccadmin/routePattern2Edit.do?key=003092c0-9ac7-4411-8f7c-d5378 Certificate Error Google

File Edit View Favorites Tools Help

Google G Go 0 blocked Check AutoLink AutoFill Send to Settings

Service Parameter Configura... Route Pattern Configura... x

Cisco Unified CM Administration For Cisco Unified Communications Solutions Navigation Cisco Unified CM Administration Go

administrator About Logout

System Call Routing Media Resources Voice Mail Device Application User Management Bulk Administration Help

Route Pattern Configuration Related Links: Back To Find/List Go

Save Delete Copy Add New

Status
Status: Ready

Pattern Definition

Route Pattern* 9.6

Route Partition < None >

Description Overlap Route to Compidea

Numbering Plan -- Not Selected --

Route Filter < None >

MLPP Precedence* Default

Gateway/Route List* S1/SU0/DS1-0@Vindaloo (Edit)

Route Option
 Route this pattern
 Block this pattern No Error

Call Classification* OffNet

Allow Device Override Provide Outside Dial Tone Allow Overlap Sending Urgent Priority

Require Forced Authorization Code

Authorization Level* 0

Require Client Matter Code

Calling Party Transformations

Use Calling Party's External Phone Number Mask

Calling Party Transform Mask

Prefix Digits (Outgoing Calls)

Calling Line ID Presentation* Default

Calling Name Presentation* Default

Connected Party Transformations

Done Local intranet 100%



Overlap Sending Route Configuration 6XXX (2 of 2)

Route Pattern Configuration - Windows Internet Explorer

https://172.20.221.254:8443/ccadmin/routePattern2Edit.do?key=003092c0-9ac7-4411-8f7c-d5378 Certificate Error Google

File Edit View Favorites Tools Help

Google G Go 0 blocked Check AutoLink AutoFill Send to Settings

Service Parameter Configura... Route Pattern Configura... x

Cisco Unified CM Administration For Cisco Unified Communications Solutions Navigation Cisco Unified CM Administration Go

administrator About Logout

System Call Routing Media Resources Voice Mail Device Application User Management Bulk Administration Help

Route Pattern Configuration Related Links: Back To Find/List Go

Save Delete Copy Add New

Status
Status: Ready

Pattern Definition

Route Pattern* 9.6

Route Partition < None >

Description Overlap Route to Compidea

Numbering Plan -- Not Selected --

Route Filter < None >

MLPP Precedence* Default

Gateway/Route List* S1/SU0/DS1-0@Vindaloo (Edit)

Route Option
 Route this pattern
 Block this pattern No Error

Call Classification* OffNet

Allow Device Override Provide Outside Dial Tone Allow Overlap Sending Urgent Priority

Require Forced Authorization Code

Authorization Level* 0

Require Client Matter Code

Calling Party Transformations

Use Calling Party's External Phone Number Mask

Calling Party Transform Mask

Prefix Digits (Outgoing Calls)

Calling Line ID Presentation* Default

Calling Name Presentation* Default

Connected Party Transformations

Done Local intranet 100%



Translation Pattern for Incoming Calls (1 of 2)

The screenshot shows the Cisco Unified CM Administration web interface in Internet Explorer. The browser address bar shows the URL: <https://172.20.221.254:8443/ccadmin/translationEdit.do?key=5d2e6fa4-a8b3-6e43-5d52-392fcbf>. The page title is "Translation Pattern Configuration".

The interface includes a navigation menu with options like System, Call Routing, Media Resources, Voice Mail, Device, Application, User Management, Bulk Administration, and Help. The current page is "Translation Pattern Configuration" with a "Related Links" section containing "Back To Find/List".

The main configuration area is divided into three sections:

- Status:** Status: Ready
- Pattern Definition:**
 - Translation Pattern: 4XXX
 - Partition: < None >
 - Description:
 - Numbering Plan: < None >
 - Route Filter: < None >
 - MLPP Precedence*: Default
 - Calling Search Space: < None >
 - Route Option: Route this pattern, Block this pattern (No Error)
 - Provide Outside Dial Tone
 - Urgent Priority
- Calling Party Transformations:**
 - Use Calling Party's External Phone Number Mask
 - Calling Party Transform Mask:
 - Prefix Digits (Outgoing Calls):
 - Calling Line ID Presentation*: Default
 - Calling Name Presentation*: Default
- Connected Party Transformations:**
 - Connected Line ID Presentation*: Default
 - Connected Name Presentation*: Default

The status bar at the bottom shows "Done" and "Local intranet".



Translation Pattern for Incoming Calls (2 of 2)

Translation Pattern Configuration - Windows Internet Explorer

https://172.20.221.254:8443/ccadmin/translationEdit.do?key=5d2e6fa4-a8b3-6e43-5d52-392fcbf... Certificate Error Google

File Edit View Favorites Tools Help

Google G Go Bookmarks 0 blocked Check AutoLink AutoFill Send to Settings

Service Parameter Configura... Translation Pattern Conf...

Cisco Unified CM Administration For Cisco Unified Communications Solutions

Navigation Cisco Unified CM Administration Go

administrator About Logout

System Call Routing Media Resources Voice Mail Device Application User Management Bulk Administration Help

Translation Pattern Configuration Related Links: Back To Find/List Go

Save Delete Copy Add New

Route Filter < None >

MLPP Precedence* Default

Calling Search Space < None >

Route Option

Route this pattern

Block this pattern No Error

Provide Outside Dial Tone

Urgent Priority

Calling Party Transformations

Use Calling Party's External Phone Number Mask

Calling Party Transform Mask

Prefix Digits (Outgoing Calls)

Calling Line ID Presentation* Default

Calling Name Presentation* Default

Connected Party Transformations

Connected Line ID Presentation* Default

Connected Name Presentation* Default

Called Party Transformations

Discard Digits < None >

Called Party Transform Mask 4000

Prefix Digits (Outgoing Calls)

Save Delete Copy Add New

*- indicates required item.

Done Local intranet 100%



CLIR Route Pattern Configuration

The screenshot displays the Cisco Unified CM Administration web interface in Internet Explorer. The browser address bar shows the URL: `https://172.20.221.254:8443/ccadmin/routePattern2Edit.do?key=47b03892-1b0e-ca47-c8ae-d621`. The page title is "Route Pattern Configuration - Windows Internet Explorer".

The main content area is titled "Route Pattern Configuration" and includes a navigation menu with options like "System", "Call Routing", "Media Resources", "Voice Mail", "Device", "Application", "User Management", "Bulk Administration", and "Help". The user is logged in as "administrator".

The configuration form is divided into three sections:

- Pattern Definition:**
 - Route Pattern*: 3XXX
 - Route Partition: < None >
 - Description: Route to NextiraOne
 - Numbering Plan: -- Not Selected --
 - Route Filter: < None >
 - MLPP Precedence*: Default
 - Gateway/Route List*: S1/SU0/DS1-1@Vindaloo (Edit)
 - Route Option: Route this pattern, Block this pattern (No Error)
 - Call Classification*: OffNet
 - Checkboxes: Allow Device Override, Provide Outside Dial Tone, Allow Overlap Sending, Urgent Priority, Require Forced Authorization Code
 - Authorization Level*: 0
 - Require Client Matter Code
- Calling Party Transformations:**
 - Use Calling Party's External Phone Number Mask
 - Calling Party Transform Mask: [Empty]
 - Prefix Digits (Outgoing Calls): [Empty]
 - Calling Line ID Presentation*: Restricted
 - Calling Name Presentation*: Default
- Connected Party Transformations:**
 - Connected Line ID Presentation*: Default
 - Connected Name Presentation*: Default

The status bar at the bottom shows "Done" and "Local intranet".



CNIR Route Pattern Configuration

The screenshot displays the Cisco Unified CM Administration web interface in Internet Explorer. The browser address bar shows the URL: `https://172.20.221.254:8443/ccadmin/routePattern2Edit.do?key=47b03892-1b0e-ca47-c8ae-d621`. The page title is "Route Pattern Configuration".

The interface includes a navigation menu with options: System, Call Routing, Media Resources, Voice Mail, Device, Application, User Management, Bulk Administration, and Help. The user is logged in as "administrator".

The main content area is titled "Route Pattern Configuration" and includes a "Related Links" section with a "Back To Find/List" button. Below this are icons for Save, Delete, Copy, and Add New.

The configuration is divided into three sections:

- Pattern Definition:**
 - Route Pattern*: 3XXX
 - Route Partition: < None >
 - Description: Route to NextiraOne
 - Numbering Plan: -- Not Selected --
 - Route Filter: < None >
 - MLPP Precedence*: Default
 - Gateway/Route List*: S1/SU0/DS1-1@Vindaloo (Edit)
 - Route Option: Route this pattern, Block this pattern (No Error)
 - Call Classification*: OffNet
 - Allow Device Override:
 - Provide Outside Dial Tone:
 - Allow Overlap Sending:
 - Urgent Priority:
 - Require Forced Authorization Code:
 - Authorization Level*: 0
 - Require Client Matter Code:
- Calling Party Transformations:**
 - Use Calling Party's External Phone Number Mask:
 - Calling Party Transform Mask: [Empty]
 - Prefix Digits (Outgoing Calls): [Empty]
 - Calling Line ID Presentation*: Default
 - Calling Name Presentation*: Restricted
- Connected Party Transformations:**
 - Connected Line ID Presentation*: Default
 - Connected Name Presentation*: Default

The status bar at the bottom shows "Done" and "Local intranet".



COLR Translation Pattern Configuration

Translation Pattern Configuration - Windows Internet Explorer
https://172.20.221.254:8443/ccadmin/translationSave.do

Cisco Unified CM Administration
For Cisco Unified Communications Solutions

Navigation Cisco Unified CM Administration Go
administrator About Logout

System Call Routing Media Resources Voice Mail Device Application User Management Bulk Administration Help

Translation Pattern Configuration Related Links: Back To Find/List Go

Save Delete Copy Add New

Pattern Definition

Translation Pattern 4060
Partition < None >
Description
Numbering Plan < None >
Route Filter < None >
MLPP Precedence* Default
Calling Search Space < None >
Route Option
 Route this pattern
 Block this pattern No Error
 Provide Outside Dial Tone
 Urgent Priority

Calling Party Transformations

Use Calling Party's External Phone Number Mask
Calling Party Transform Mask 4000
Prefix Digits (Outgoing Calls)
Calling Line ID Presentation* Default
Calling Name Presentation* Default

Connected Party Transformations

Connected Line ID Presentation* Restricted
Connected Name Presentation* Default

Called Party Transformations

Discard Digits < None >
Called Party Transform Mask 4000
Prefix Digits (Outgoing Calls)

Done Local intranet 100%



CONR Translation Pattern Configuration

Translation Pattern Configuration - Windows Internet Explorer
https://172.20.221.254:8443/ccadmin/translationSave.do

Cisco Unified CM Administration
For Cisco Unified Communications Solutions

Navigation: Cisco Unified CM Administration | administrator | About | Logout

System | Call Routing | Media Resources | Voice Mail | Device | Application | User Management | Bulk Administration | Help

Translation Pattern Configuration | Related Links: Back To Find/List | Go

Save | Delete | Copy | Add New

Pattern Definition

Translation Pattern: 4060
Partition: < None >
Description:
Numbering Plan: < None >
Route Filter: < None >
MLPP Precedence*: Default
Calling Search Space: < None >
Route Option:
 Route this pattern
 Block this pattern: No Error
 Provide Outside Dial Tone
 Urgent Priority

Calling Party Transformations

Use Calling Party's External Phone Number Mask
Calling Party Transform Mask: 4000
Prefix Digits (Outgoing Calls):
Calling Line ID Presentation*: Default
Calling Name Presentation*: Default

Connected Party Transformations

Connected Line ID Presentation*: Default
Connected Name Presentation*: Restricted

Called Party Transformations

Discard Digits: < None >
Called Party Transform Mask: 4000
Prefix Digits (Outgoing Calls):
Done | Local intranet | 100%



MWI lamp On/Off Configuration

The screenshot shows the Cisco Unified CM Administration interface in Internet Explorer. The browser address bar displays the URL: `https://172.20.221.254:8443/ccmadmin/messageWaitingEdit.do?key=5d7065fc-aa50-5fe7-0727-2`. The page title is "Message Waiting Configuration". The navigation menu includes "System", "Call Routing", "Media Resources", "Voice Mail", "Device", "Application", "User Management", "Bulk Administration", and "Help". The user is logged in as "administrator".

The "Message Waiting Configuration" section includes the following fields:

- Status: Ready
- Message Waiting Information:
 - Message Waiting Number*: 7001
 - Partition: < None >
 - Description: MWI ON
 - Message Waiting Indicator*: On Off
 - Calling Search Space: < None >

Buttons for "Save", "Delete", "Copy", and "Add New" are visible below the form. A note at the bottom states: "* - indicates required item."

The screenshot shows the Cisco Unified CM Administration interface in Internet Explorer. The browser address bar displays the URL: `https://172.20.221.254:8443/ccmadmin/messageWaitingEdit.do?key=e15d09ab-a2a9-d154-e037-`. The page title is "Message Waiting Configuration". The navigation menu and user information are the same as in the previous screenshot.

The "Message Waiting Configuration" section includes the following fields:

- Status: Ready
- Message Waiting Information:
 - Message Waiting Number*: 7000
 - Partition: < None >
 - Description: MWI OFF
 - Message Waiting Indicator*: On Off
 - Calling Search Space: < None >

Buttons for "Save", "Delete", "Copy", and "Add New" are visible below the form. A note at the bottom states: "* - indicates required item."



Voice Mail Profile Configuration

The screenshot shows the Cisco Unified CM Administration interface for Voice Mail Profile Configuration. The browser title is "Voice Mail Profile Configuration - Windows Internet Explorer". The address bar shows the URL: <https://172.20.221.254:8443/ccmadmin/vmProfileEdit.do?key=9c62b2d8-1c37-7335-e0e2-b43c833>. The page header includes the Cisco logo, "Cisco Unified CM Administration", and "For Cisco Unified Communications Solutions". The navigation menu includes System, Call Routing, Media Resources, Voice Mail, Device, Application, User Management, Bulk Administration, and Help. The main content area is titled "Voice Mail Profile Configuration" and includes a "Related Links" section with "Back To Find/List". Below this are icons for Save, Delete, Copy, Reset, and Add New. The "Status" section shows "Status: Ready". The "Voice Mail Profile Information" section contains the following fields: Voice Mail Profile (CM-Vindaloo-VMP, used by 4 devices), Voice Mail Profile Name* (CM-Vindaloo-VMP), Description, Voice Mail Pilot** (4010/< None >), and Voice Mail Box Mask. A checkbox "Make this the default Voice Mail Profile for the System" is checked.

Voice Mail Pilot Configuration

The screenshot shows the Cisco Unified CM Administration interface for Voice Mail Pilot Configuration. The browser title is "Voice Mail Pilot Configuration - Windows Internet Explorer". The address bar shows the URL: <https://172.20.221.254:8443/ccmadmin/vmPilotEdit.do?key=84a666b7-8f6f-444d-cf15-d42eb42>. The page header includes the Cisco logo, "Cisco Unified CM Administration", and "For Cisco Unified Communications Solutions". The navigation menu includes System, Call Routing, Media Resources, Voice Mail, Device, Application, User Management, Bulk Administration, and Help. The main content area is titled "Voice Mail Pilot Configuration" and includes a "Related Links" section with "Back To Find/List". Below this are icons for Save, Delete, and Add New. The "Status" section shows "Status: Ready". The "Voice Mail Pilot Information" section contains the following fields: Voice Mail Pilot Number (4010), Calling Search Space (< None >), and Description (CM_Vindaloo Voice mail Pilot). A checkbox "Make this the default Voice Mail Pilot for the system" is unchecked. At the bottom, there are buttons for Save, Delete, and Add New.



Voice Mail Ports List

Find and List Voice Mail Ports - Windows Internet Explorer

https://172.20.221.254:8443/ccadmin/vmPortFindList.do

Certificate Error

Google

File Edit View Favorites Tools Help

Google

Service Parameter Configura... Find and List Voice Mail P... x

Cisco Unified CM Administration
For Cisco Unified Communications Solutions

Navigation Cisco Unified CM Administration Go

administrator | About | Logout

System Call Routing Media Resources Voice Mail Device Application User Management Bulk Administration Help

Find and List Voice Mail Ports

+ Add New Select All Clear All Delete Selected Reset Selected

Status
4 records found

Voice Mail Port (1 - 4 of 4) Rows per Page 50

Find Voice Mail Port where Device Name begins with Find Clear Filter + -

Select item or enter search text

<input type="checkbox"/>	Device Name	Description	Device Pool	Device Security Mode	Calling Search Space	Ext.	Partition	Status	IP Address	Copy
<input type="checkbox"/>	CiscoUM1-VI1	CM_Vindaloo	Default	Non Secure Voice Mail Port		4011		Registered with CM-Vindaloo	172.20.239.252	
<input type="checkbox"/>	CiscoUM1-VI2	CM_Vindaloo	Default	Non Secure Voice Mail Port		4012		Registered with CM-Vindaloo	172.20.239.252	
<input type="checkbox"/>	CiscoUM1-VI3	CM_Vindaloo	Default	Non Secure Voice Mail Port		4013		Registered with CM-Vindaloo	172.20.239.252	
<input type="checkbox"/>	CiscoUM1-VI4	CM_Vindaloo	Default	Non Secure Voice Mail Port		4014		Registered with CM-Vindaloo	172.20.239.252	

Add New Select All Clear All Delete Selected Reset Selected

Local intranet 100%



Voice Mail Port Configuration

The screenshot shows the Cisco Unified CM Administration web interface in Internet Explorer. The browser address bar shows the URL: `https://172.20.221.254:8443/ccadmin/vmPortEdit.do?key=ad6ddb23-0ed0-716f-b45e-8149d87`. The page title is "Voice Mail Port Configuration". The navigation menu includes "System", "Call Routing", "Media Resources", "Voice Mail", "Device", "Application", "User Management", "Bulk Administration", and "Help". The current page is "Voice Mail Port Configuration" for the "administrator" user. The page contains the following sections:

- Status:** Status: Ready
- Device Information:**

Registration	Registered with Cisco Unified Communications Manager CM-Vindaloo
IP Address	172.20.239.252
Port Name*	CiscoUM1-VI1
Description	CM_Vindaloo
Device Pool*	Default
Common Device Configuration	< None >
Calling Search Space	< None >
AAR Calling Search Space	< None >
Location*	Hub_None
Device Security Mode*	Non Secure Voice Mail Port
- Directory Number Information:**

Directory Number*	4011
Partition	< None >
Calling Search Space	< None >
AAR Group	< None >
Internal Caller ID Display	VoiceMail
Internal Caller ID Display (ASCII format)	VoiceMail
External Number Mask	

At the bottom of the configuration area, there are buttons for "Save", "Delete", "Copy", "Reset", and "Add New". The status bar at the bottom of the browser shows "Done" and "Local intranet".



Callback Service Parameters

The screenshot shows the 'Service Parameter Configuration' page in a web browser. The page title is 'Service Parameter Configuration - Windows Internet Explorer'. The URL is 'https://172.20.221.254:8443/ccadmin/serviceParamEdit.do'. The page header includes the Cisco logo and 'Cisco Unified CM Administration For Cisco Unified Communications Solutions'. The user is logged in as 'administrator'. The main content area is titled 'Service Parameter Configuration' and contains a table of parameters for 'Clusterwide Parameters (Feature - Call Back)'. The parameters are:

Parameter Name	Value	Default Value
Call Back Enabled Flag *	True	True
Call Back Notification Audio File Name *	CallBack.raw	CallBack.raw
Connection Proposal Type *	Connection Retention	Connection Retention
Connection Response Type *	Default to Connection Retention	Default to Connection Retention
Call Back Request Protection T1 Timer *	10	10
Call Back Recall T3 Timer *	20	20
Call Back Calling Search Space	< None >	
No Path Reservation *	True	True
Set Private Numbering Plan for Call Back *	False	False

Callback Softkey Configuration (1 of 2)

The screenshot shows the 'Softkey Template Configuration' page in a web browser. The page title is 'Softkey Template Configuration - Windows Internet Explorer'. The URL is 'https://172.20.221.254:8443/ccadmin/softkeyTemplateLayoutEdit.do?key=c81bdf55-b58c-b5...'. The page header includes the Cisco logo and 'Cisco Unified CM Administration For Cisco Unified Communications Solutions'. The user is logged in as 'administrator'. The main content area is titled 'Softkey Template Configuration' and contains a 'Status' section showing 'Status: Ready'. Below this is the 'Softkey Layout Configuration' section, which shows a 'Softkey Template: Standard User Callback Idirect' and a 'Select a call state to configure' dropdown set to 'On Hook'. The configuration is divided into two columns: 'Unselected Softkeys' and 'Selected Softkeys (ordered by position)**'. The 'Unselected Softkeys' list includes: Conference List (ConfList), Direct Transfer (DirTrfr), Group Pick Up (GPickUp), HLog (HLog), Immediate Divert (iDivert), Join (Join), Meet Me (MeetMe), Mobility (Mobility), Other Pickup (oPickup), Pick Up (PickUp), Quality Report Tool (QRT), Remove Last Conference Party (RmLstC), Select (Select), Toggle Do Not Disturb (DND), Undefined (Undefined), and Video Mode Command (VidMode). The 'Selected Softkeys' list includes: Redial (Redial), **NewCall (NewCall), Forward All (CfwdAll), and Call Back (CallBack). There are arrows between the two columns indicating the ability to move softkeys between them. At the bottom of the page, there are 'Save' and 'Reset' buttons.



CallBack Softkey Configuration (2 of 2)

The screenshot shows the Cisco Unified CM Administration interface for Softkey Template Configuration. The page title is "Softkey Template Configuration - Windows Internet Explorer". The URL is <https://172.20.221.254:8443/ccadmin/softkeyTemplateLayoutEdit.do?key=c81bdf55-b58c-b5>. The page header includes the Cisco logo and "Cisco Unified CM Administration For Cisco Unified Communications Solutions". The user is logged in as "administrator".

The main content area is titled "Softkey Template Configuration" and shows the configuration for the "Ring Out" call state. The "Softkey Layout Configuration" section indicates the template is "Standard User Callback Idivert".

Unselected Softkeys	Selected Softkeys (ordered by position)**
Toggle Do Not Disturb (DND) Undefined (Undefined)	Undefined (Undefined) End Call (EndCall) Call Back (CallBack)

Buttons for "Save" and "Reset" are visible at the bottom of the configuration area.

Idivert Softkey Configuration (1 of 3)

The screenshot shows the Cisco Unified CM Administration interface for Softkey Template Configuration. The page title is "Softkey Template Configuration - Windows Internet Explorer". The URL is <https://172.20.221.254:8443/ccadmin/softkeyTemplateLayoutEdit.do?key=c81bdf55-b58c-b5>. The page header includes the Cisco logo and "Cisco Unified CM Administration For Cisco Unified Communications Solutions". The user is logged in as "administrator".

The main content area is titled "Softkey Template Configuration" and shows the configuration for the "Connected" call state. The "Softkey Layout Configuration" section indicates the template is "Standard User Callback Idivert".

Unselected Softkeys	Selected Softkeys (ordered by position)**
HLog (HLog) Mobility (Mobility) Quality Report Tool (QRT) Remove Last Conference Party (RmLstC) Toggle Do Not Disturb (DND) Toggle Malicious Call Trace (MCID) Undefined (Undefined) Video Mode Command (VidMode)	Hold (Hold) End Call (EndCall) Transfer (Trnsfer) Park (Park) Conference (Confrn) Conference List (ConfList) Select (Select) Join (Join) Direct Transfer (DirTrfr) Immediate Divert (iDivert)

Buttons for "Save" and "Reset" are visible at the bottom of the configuration area.



IDivert Softkey Configuration (2 of 3)

Softkey Template Configuration - Windows Internet Explorer

Navigation: Cisco Unified CM Administration administrator About Logout

System Call Routing Media Resources Voice Mail Device Application User Management Bulk Administration Help

Softkey Template Configuration Related Links: Softkey Template Configuration Go

Save Reset

Softkey Layout Configuration
Softkey Template: Standard User Callback IDivert
Select a call state to configure: Connected

Unselected Softkeys

- HLog (HLog)
- Mobility (Mobility)
- Quality Report Tool (QRT)
- Remove Last Conference Party (RmLstC)
- Toggle Do Not Disturb (DND)
- Toggle Malicious Call Trace (MCID)
- Undefined (Undefined)
- Video Mode Command (VidMode)

Selected Softkeys (ordered by position)**

- Hold (Hold)
- End Call (EndCall)
- Transfer (Trnsfer)
- Park (Park)
- Conference (Confrn)
- Conference List (ConfList)
- Select (Select)
- Join (Join)
- Direct Transfer (DirTrfr)
- Immediate Divert (iDivert)

IDivert Softkey Configuration (3 of 3)

Softkey Template Configuration - Windows Internet Explorer

Navigation: Cisco Unified CM Administration administrator About Logout

System Call Routing Media Resources Voice Mail Device Application User Management Bulk Administration Help

Softkey Template Configuration Related Links: Softkey Template Configuration Go

Save Reset

Softkey Layout Configuration
Softkey Template: Standard User Callback IDivert
Select a call state to configure: Ring In

Unselected Softkeys

- Toggle Do Not Disturb (DND)
- Undefined (Undefined)

Selected Softkeys (ordered by position)**

- Answer (Answer)
- Immediate Divert (iDivert)



Path Replacement Service Parameters

The screenshot shows the Cisco Unified CM Administration web interface in Internet Explorer. The browser address bar shows the URL `https://172.20.221.254:8443/ccadmin/serviceParamEdit.do`. The page title is "Service Parameter Configuration - Windows Internet Explorer". The interface includes a navigation menu with options like System, Call Routing, Media Resources, Voice Mail, Device, Application, User Management, Bulk Administration, and Help. The main content area is titled "Service Parameter Configuration" and contains a table of clusterwide parameters for Path Replacement.

Clusterwide Parameters (Feature - Path Replacement)	
Path Replacement Enabled *	True
Path Replacement on Tromboned Calls *	True
Start Path Replacement Minimum Delay Time *	0
Start Path Replacement Maximum Delay Time *	0
Path Replacement T1 Timer *	30
Path Replacement T2 Timer *	15
Path Replacement PINX ID	4100
Path Replacement Calling Search Space	< None >



Path Replacement Call Pick Up Group (1 of 2)

The screenshot shows the Cisco Unified CM Administration web interface in Internet Explorer. The browser address bar shows the URL: `https://172.20.221.254:8443/cmadmin/callPickupGroupEdit.do?key=5716d2ab-79f9-89dd-1...`. The page title is "Call Pickup Group Configuration".

The interface includes a navigation menu with options like System, Call Routing, Media Resources, Voice Mail, Device, Application, User Management, Bulk Administration, and Help. The user is logged in as "administrator".

The main content area is titled "Call Pickup Group Configuration" and includes a "Related Links" section with a "Back To Find/List" link. Below this is a toolbar with "Save", "Delete", "Copy", and "Add New" icons.

The configuration form is divided into several sections:

- Status:** Shows "Status: Ready".
- Call Pickup Group Information:** Includes fields for "Call Pickup Group Name*" (Alcatel Pathreplacement Pickup Group), "Call Pickup Group Number*" (111), "Description", and "Partition" (set to "< None >").
- Call Pickup Group Notification Settings:** Includes "Call Pickup Group Notification Policy" (set to "No Alert") and "Call Pickup Group Notification Timer (seconds)*" (set to "6").
- Call Information Display For Call Pickup Group Notification:** Includes checkboxes for "Calling Party Information" and "Called Party Information", both of which are unchecked.
- Associated Call Pickup Group Information:** Includes a "Find Pickup Numbers by Numbers/Partition" section with a "Partition" dropdown (set to "< None >"), a "Call Pickup Group Numbers Contain" input field, and a "Find" button. Below this is a list of "Available Call Pickup Groups" showing "(No Matches Found)" and an "Add to Associated Call Pickup Groups" button.

The status bar at the bottom shows "Done" and "Local intranet".



Path Replacement Call Pick Up Group (2 of 2)

The screenshot shows the Cisco Unified CM Administration web interface in Internet Explorer. The browser address bar shows the URL: `https://172.20.221.254:8443/ccadmin/callPickupGroupEdit.do?key=5716d2ab-79f9-89dd-11f...`. The page title is "Call Pickup Group Configuration".

The navigation menu includes: System, Call Routing, Media Resources, Voice Mail, Device, Application, User Management, Bulk Administration, and Help. The user is logged in as "administrator".

The main content area is titled "Call Pickup Group Configuration" and includes a "Related Links" section with a "Back To Find/List" link. Below this are buttons for "Save", "Delete", "Copy", and "Add New".

The "Current Associated Call Pickup Groups" section contains two text input fields. The top field, labeled "Selected Call Pickup Groups", contains the number "111". To the right of this field is a button labeled "Reverse Order of Selected Numbers". Below the "Selected" field is a "Removed Call Pickup Groups" field, which is currently empty. There are small up and down arrow icons between the two fields.

At the bottom of the page, there are buttons for "Save", "Delete", "Copy", and "Add New". The status bar at the bottom right shows "Local intranet" and "100%".



Forward by Reroute Service Parameter

The screenshot shows the Cisco Unified CM Administration interface in Internet Explorer. The browser address bar shows <https://172.20.221.254:8443/ccadmin/serviceParamEdit.do>. The page title is "Service Parameter Configuration - Windows Internet Explorer". The navigation menu includes "System", "Call Routing", "Media Resources", "Voice Mail", "Device", "Application", "User Management", "Bulk Administration", and "Help". The current page is "Service Parameter Configuration" for the "Forward" feature. The "Forward By Reroute Enabled" parameter is set to "True".

Clusterwide Parameters (Feature - Forward)		
Forward Maximum Hop Count *	12	12
Forward No Answer Timer *	12	12
Max Forward Hops to DN *	12	12
Retain Forward Information *	False	False
Forward By Reroute Enabled *	True	False
Transform Forward by Reroute Destination *	True	True
Always Forward Switch Voice Mail Calls *	True	True
Forward By Reroute T1 Timer *	10	10
Include Original Called Info for Q.SIG Call Diversions *	Only after the first diversion	Only after the first diversion
Max Forward UnRegistered Hops to DN *	0	0
CFA CSS Activation Policy *	With Configured CSS	With Configured CSS

There are hidden parameters in this group. Click on Advanced button to see hidden parameters.



IP 7960 SCCP phone Configuration (1 of 8)

The screenshot displays the Cisco Unified CM Administration web interface in Internet Explorer. The browser address bar shows the URL: `https://172.20.221.254:8443/ccmadmin/deviceEdit.do?key=fb730dec-63a4-4ac1-baa9-623f75f`. The page title is "Phone Configuration - Windows Internet Explorer".

The main content area is titled "Phone Configuration" and includes a navigation menu with options like "System", "Call Routing", "Media Resources", "Voice Mail", "Device", "Application", "User Management", "Bulk Administration", and "Help". The user is logged in as "administrator".

The configuration page is divided into two main sections:

- Association Information:** A list of associations for the phone. Item 1 is "Line [1] - 4000 (no partition)". Item 2 is "Add a new SD". Item 3 is "Line [2] - Add a new DN". Item 4 is "Add a new SD". Item 5 is "Add a new SURL". Item 6 is "Add a new BLF SD". Item 7 is "Add a new BLF Directed Call Park". Item 8 is "Privacy". Item 9 is "None".
- Phone Type:** Product Type: Cisco 7940, Device Protocol: SCCP.
- Device Information:** A list of configuration parameters for the device, including:
 - Registration: Registered with Cisco Unified Communications Manager CM-Vindaloo
 - IP Address: 172.20.221.101
 - MAC Address*: 000427D3FFF7
 - Description: Auto 4000
 - Device Pool*: Default (View Details)
 - Common Device Configuration: < None > (View Details)
 - Phone Button Template*: Standard 7940 SCCP
 - Softkey Template: Standard User Callback Idivert
 - Common Phone Profile*: Standard Common Phone Profile
 - Calling Search Space: < None >
 - AAR Calling Search Space: < None >
 - Media Resource Group List: < None >
 - User Hold MOH Audio Source: < None >
 - Network Hold MOH Audio Source: < None >
 - Location*: Hub_None
 - AAR Group: < None >
 - User Locale: < None >
 - Network Locale: < None >
 - Built In Bridge*: Default
 - Privacy*: Default
 - Device Mobility Mode*: Default (View Current Device, Mobility Settings)



IP 7960 SCCP phone Configuration (2 of 8)

The screenshot shows the Cisco Unified CM Administration web interface in Internet Explorer. The browser address bar shows the URL: `https://172.20.221.254:8443/ccmadmin/deviceEdit.do?key=fb730dec-63a4-4ac1-baa9-623f75f`. The page title is "Phone Configuration - Windows Internet Explorer".

The main navigation bar includes the Cisco logo, "Cisco Unified CM Administration", and "For Cisco Unified Communications Solutions". The user is logged in as "administrator". The navigation menu includes: System, Call Routing, Media Resources, Voice Mail, Device, Application, User Management, Bulk Administration, and Help.

The "Phone Configuration" section is active, showing a "Related Links" dropdown set to "Back To Find/List". Below this are icons for Save, Delete, Copy, Reset, and Add New.

The configuration fields are organized into three sections:

- General Settings:**
 - Owner User ID: < None >
 - Phone Load Name: [Empty field]
 - Retry Video Call as Audio
 - Ignore Presentation Indicators (internal calls only)
 - Allow Control of Device from CTI
 - Logged Into Hunt Group
 - Remote Device
- Protocol Specific Information:**
 - Packet Capture Mode*: None
 - Packet Capture Duration: 0
 - Presence Group*: Standard Presence group
 - Device Security Profile*: Cisco 7940 - Standard SCCP Non-Secure Profile
 - SUBSCRIBE Calling Search Space: < None >
 - Unattended Port
 - Require DTMF Reception
 - RFC2833 Disabled
- Certification Authority Proxy Function (CAPF) Information:**
 - Certificate Operation*: No Pending Operation
 - Authentication Mode*: By Null String
 - Authentication String: [Empty field]
 - Generate String button
 - Key Size (Bits)*: 1024
 - Operation Completes By: 2007 7 29 12 (YYYY:MM:DD:HH)
 - Certificate Operation Status: None
 - Note: Security Profile Contains Addition CAPF Settings.

The status bar at the bottom indicates "Local intranet" and "100%" zoom.



IP 7960 SCCP phone Configuration (3of 8)

The screenshot displays the Cisco Unified CM Administration interface for configuring an IP 7960 SCCP phone. The browser window shows the URL `https://172.20.221.254:8443/ccmadmin/deviceEdit.do?key=fb730dec-63a4-4ac1-baa9-623f75f...` and a "Certificate Error" warning. The navigation menu includes "System", "Call Routing", "Media Resources", "Voice Mail", "Device", "Application", "User Management", "Bulk Administration", and "Help". The "Phone Configuration" section is active, showing a toolbar with "Save", "Delete", "Copy", "Reset", and "Add New" options. The configuration fields are organized into several sections:

- External Data Locations Information (Leave blank to use default)**: Includes input fields for Information, Directory, Messages, Services, Authentication Server, Proxy Server, Idle, and Idle Timer (seconds).
- Extension Information**: Includes a checkbox for "Enable Extension Mobility", a dropdown for "Log Out Profile" (set to "-- Use Current Device Settings --"), and "Log in Time" and "Log out Time" set to "< None >".
- MLPP Information**: Includes dropdowns for "MLPP Domain" (set to "< None >"), "MLPP Indication*" (set to "Default"), and "MLPP Preemption*" (set to "Default").
- Do Not Disturb**: Includes a checkbox for "Do Not Disturb", a dropdown for "DND Option*" (set to "Ringer Off"), and a dropdown for "DND Incoming Call Alert" (set to "< None >").
- Product Specific Configuration Layout**: A section at the bottom of the configuration area.

The status bar at the bottom indicates "Local intranet" and "100%" zoom.



IP 7960 SCCP phone Configuration (4 of 8)

The screenshot shows the Cisco Unified CM Administration web interface in Internet Explorer. The browser address bar shows the URL: <https://172.20.221.254:8443/ccmadmin/deviceEdit.do?key=fb730dec-63a4-4ac1-baa9-623f75f>. The page title is "Phone Configuration - Windows Internet Explorer". The main content area is titled "Phone Configuration" and includes a navigation menu with options like "System", "Call Routing", "Media Resources", "Voice Mail", "Device", "Application", "User Management", "Bulk Administration", and "Help". The "Phone Configuration" section has a toolbar with "Save", "Delete", "Copy", "Reset", and "Add New" buttons. The configuration fields are as follows:

- MLPP Domain: < None >
- MLPP Indication*: Default
- MLPP Preemption*: Default
- Do Not Disturb**
 - Do Not Disturb
 - DND Option*: Ringer Off
 - DND Incoming Call Alert: < None >
- Product Specific Configuration Layout**
 - Disable Speakerphone
 - Disable Speakerphone and Headset
 - PC Port*: Enabled
 - Settings Access*: Enabled
 - Gratuitous ARP*: Enabled
 - PC Voice VLAN Access*: Enabled
 - Video Capabilities*: Disabled
 - Auto Line Select*: Disabled
 - Web Access*: Enabled

At the bottom, there are buttons for "Save", "Delete", "Copy", "Reset", and "Add New". A legend explains the asterisks:
* - indicates required item.
** - Device reset is not required for changes to Packet Capture Mode and Packet Capture Duration.
***Note: Security Profile Contains Addition CAPF Settings.



IP 7960 SCCP phone Configuration (5 of 8)

The screenshot shows the Cisco Unified CM Administration interface in Internet Explorer. The browser address bar shows the URL: <https://172.20.221.254:8443/ccmadmin/deviceEdit.do?key=fb730dec-63a4-4ac1-baa9-623f75f>. The page title is "Phone Configuration - Windows Internet Explorer".

The main content area is titled "Phone Configuration" and includes a navigation menu with options like System, Call Routing, Media Resources, Voice Mail, Device, Application, User Management, Bulk Administration, and Help. The current page is "Phone Configuration".

The configuration form includes the following sections:

- MLPP Domain:** < None >
- MLPP Indication*:** Default
- MLPP Preemption*:** Default
- Do Not Disturb:**
 - Do Not Disturb
 - DND Option*:** Ringer Off
 - DND Incoming Call Alert:** < None >
- Product Specific Configuration Layout:**
 - Disable Speakerphone
 - Disable Speakerphone and Headset
 - PC Port*:** Enabled
 - Settings Access*:** Enabled
 - Gratuitous ARP*:** Enabled
 - PC Voice VLAN Access*:** Enabled
 - Video Capabilities*:** Disabled
 - Auto Line Select*:** Disabled
 - Web Access*:** Enabled

At the bottom of the form, there are buttons for Save, Delete, Copy, Reset, and Add New. Below the buttons, there are three informational messages:

- i** *- indicates required item.
- i** **- Device reset is not required for changes to Packet Capture Mode and Packet Capture Duration.
- i** ***Note: Security Profile Contains Addition CAPF Settings.

The browser status bar at the bottom shows "Local intranet" and "100%".



IP 7960 SCCP phone Configuration (6 of 8)

The screenshot displays the Cisco Unified CM Administration web interface in Internet Explorer. The browser address bar shows the URL: `https://172.20.221.254:8443/ccadmin/directoryNumberEdit.do?key=54496db1-0b4d-4fa2-ab8...`. The page title is "Directory Number Configuration".

Navigation: Cisco Unified CM Administration | administrator | About | Logout

System: Call Routing | Media Resources | Voice Mail | Device | Application | User Management | Bulk Administration | Help

Directory Number Configuration | Related Links: [Configure Device \(SEP000427D3FFF7\)](#) | Go

Actions: Save | Delete | Reset | Add New

Directory Number Information

- Directory Number*: 4000
- Route Partition: < None >
- Description: SCCP
- Alerting Name: Vindaloo 00 [Alert]
- ASCII Alerting Name: Vindaloo 00 [Alert]
- Allow Control of Device from CTI
- Associated Devices: SEP000427D3FFF7
- Dissociate Devices: (empty)

Buttons: Edit Device, Edit Line Appearance

Directory Number Settings

- Voice Mail Profile: < None > (Choose <None> to use system default)
- Calling Search Space: < None >
- Presence Group*: Standard Presence group
- User Hold MOH Audio Source: < None >
- Network Hold MOH Audio Source: < None >
- Auto Answer*: Auto Answer Off

AAR Settings

	Voice Mail	AAR Destination Mask	AAR Group
AAR	<input type="checkbox"/> or		< None >

Retain this destination in the call forwarding history

Done | Local intranet | 100%



IP 7960 SCCP phone Configuration (7 of 8)

The screenshot shows the Cisco Unified CM Administration web interface in Internet Explorer. The browser address bar shows the URL: `https://172.20.221.254:8443/ccadmin/directoryNumberEdit.do?key=54496db1-0b4d-4fa2-ab6...`. The page title is "Directory Number Configuration - Windows Internet Explorer".

The interface includes a navigation menu with options like "System", "Call Routing", "Media Resources", "Voice Mail", "Device", "Application", "User Management", "Bulk Administration", and "Help". The user is logged in as "administrator".

The main content area is titled "Directory Number Configuration" and includes a "Related Links" section with "Configure Device (SEP000427D3FFF7)". Below this are action buttons: "Save", "Delete", "Reset", and "Add New".

The configuration is divided into two sections:

- Line Settings for All Devices:**
 - Hold Reversion Ring Duration (seconds): [] Setting the Hold Reversion Ring Duration to zero will disable the feature
 - Hold Reversion Notification Interval (seconds): [] Setting the Hold Reversion Notification Interval to zero will disable the feature
- Line 1 on Device SEP000427D3FFF7:**
 - Display (Internal Caller ID): [Vindaloo 00] Display text for a line appearance is intended for displaying text such as a name instead of a directory number for internal calls. If you specify a number, the person receiving a call may not see the proper identity of the caller.
 - ASCII Display (Internal Caller ID): [Vindaloo 00]
 - Line Text Label: [Vindaloo 00]
 - ASCII Line Text Label: [Vindaloo 00]
 - External Phone Number Mask: []
 - Visual Message Waiting Indicator Policy*: [Use System Policy]
 - Ring Setting (Phone Idle)*: [Ring]
 - Ring Setting (Phone Active): [Use System Default] Applies to this line when any line on the phone has a call in progress.
 - Call Pickup Group Audio Alert Setting(Phone Idle): [Use System Default]
 - Call Pickup Group Audio Alert Setting(Phone Active): [Use System Default]
 - Monitoring Calling Search Space: [< None >]

The status bar at the bottom shows "Done" and "Local intranet".



IP 7960 SCCP phone Configuration (8 of 8)

The screenshot shows the Cisco Unified CM Administration web interface in Internet Explorer. The browser address bar shows the URL: `https://172.20.221.254:8443/ccadmin/directoryNumberEdit.do?key=54496db1-0b4d-4fa2-ab8...`. The page title is "Directory Number Configuration".

The navigation menu includes: System, Call Routing, Media Resources, Voice Mail, Device, Application, User Management, Bulk Administration, and Help. The user is logged in as "administrator".

The main content area is titled "Directory Number Configuration" and includes a "Related Links" section with "Configure Device (SEP000427D3FFF7)".

Below the title bar are action buttons: Save, Delete, Reset, and Add New.

The configuration fields are as follows:

- Ring Setting (Phone Active): Use System Default (dropdown). Note: Applies to this line when any line on the phone has a call in progress.
- Call Pickup Group Audio Alert Setting (Phone Idle): Use System Default (dropdown).
- Call Pickup Group Audio Alert Setting (Phone Active): Use System Default (dropdown).
- Monitoring Calling Search Space: < None > (dropdown).

The "Multiple Call/Call Waiting Settings on Device SEP000427D3FFF7" section includes:

- Note: The range to select the Max Number of calls is: 1-200
- Maximum Number of Calls*: 4 (text input)
- Busy Trigger*: 2 (text input) (Less than or equal to Max. Calls)

The "Forwarded Call Information Display on Device SEP000427D3FFF7" section includes:

- Caller Name
- Caller Number
- Redirected Number
- Dialed Number

The "Users Associated with Line" section includes an "Associate End Users" button.

At the bottom, there are "Save", "Delete", "Reset", and "Add New" buttons. Below these are two information icons:

- *- indicates required item.
- ** - Changes to Line or Directory Number settings require restart.

The status bar at the bottom shows "Done" and "Local intranet".



IP 7961 SIP phone Configuration (1 of 9)

The screenshot displays the Cisco Unified CM Administration web interface in Internet Explorer. The browser address bar shows the URL: `https://172.20.221.254:8443/ccmadmin/deviceEdit.do?key=9d063fb3-cbac-b2b3-9450-f06d061`. The page title is "Phone Configuration - Windows Internet Explorer".

The main navigation bar includes "Cisco Unified CM Administration" and "For Cisco Unified Communications Solutions". The user is logged in as "administrator". The breadcrumb trail is: System > Call Routing > Media Resources > Voice Mail > Device > Application > User Management > Bulk Administration > Help.

The "Phone Configuration" section is active, showing a "Related Links" dropdown set to "Back To Find/List". Below this are icons for Save, Delete, Copy, Reset, and Add New.

The configuration is divided into two main panels:

- Association Information:** A list of 14 items for line configuration:
 - Line [1] - 4002 (no partition)
 - Line [2] - Add a new DN
 - Add a new SD
 - Add a new SD
 - Add a new SD
 - Add a new SD
 - Unassigned Associated Items
 - Add a new SD
 - Add a new SURL
 - Add a new BLF SD
 - Add a new BLF Directed Call Park
 - Intercom [1] - Add a new Intercom
 - Do Not Disturb
 - Privacy
 - None
- Phone Type:** Product Type: Cisco 7961G-GE, Device Protocol: SIP
- Device Information:** A form with the following fields:
 - Registration: Registered with Cisco Unified Communications Manager CM-Vindaloo
 - IP Address: 172.20.221.102
 - MAC Address*: 001955FA1056
 - Description: SEP001955FA1056
 - Device Pool*: Default (View Details)
 - Common Device Configuration: < None > (View Details)
 - Phone Button Template*: Standard 7961G-GE SIP
 - Softkey Template: Standard User Callback Idivert
 - Common Phone Profile*: Standard Common Phone Profile
 - Calling Search Space: < None >
 - AAR Calling Search Space: < None >
 - Media Resource Group List: < None >
 - User Hold MOH Audio Source: < None >
 - Network Hold MOH Audio Source: < None >
 - Location*: Hub_None
 - AAR Group: < None >
 - User Locale: < None >
 - Network Locale: < None >
 - Built In Bridge*: Default
 - Privacy*: Default
 - Device Mobility Mode*: Default (View Current Device)



IP 7961 SIP phone Configuration (2 of 9)

The screenshot shows the Cisco Unified CM Administration web interface in Internet Explorer. The browser address bar shows the URL: `https://172.20.221.254:8443/ccmadmin/deviceEdit.do?key=9d063fb3-cbac-b2b3-9450-f06d061`. The page title is "Phone Configuration - Windows Internet Explorer". The navigation bar includes "Cisco Unified CM Administration" and "For Cisco Unified Communications Solutions". The user is logged in as "administrator".

The main content area is titled "Phone Configuration" and includes a "Related Links" section with "Back To Find/List". Below this are icons for "Save", "Delete", "Copy", "Reset", and "Add New".

The configuration is divided into three sections:

- Mobility Settings:**
 - Owner User ID: < None >
 - Phone Personalization*: Default
 - Phone Load Name: [Empty field]
 - Ignore Presentation Indicators (internal calls only)
 - Allow Control of Device from CTI
 - Logged Into Hunt Group
 - Remote Device
- Protocol Specific Information:**
 - Packet Capture Mode*: None
 - Packet Capture Duration: 0
 - Presence Group*: Standard Presence group
 - SIP Dial Rules: < None >
 - MTP Preferred Originating Codec*: 711ulaw
 - Device Security Profile*: Cisco 7961G-GE - Standard SIP Non-Secure Profile
 - Rerouting Calling Search Space: < None >
 - SUBSCRIBE Calling Search Space: < None >
 - SIP Profile*: Standard SIP Profile
 - Digest User: < None >
 - Media Termination Point Required
 - Unattended Port
 - Require DTMF Reception
- Certification Authority Proxy Function (CAPF) Information:**
 - Certificate Operation*: No Pending Operation
 - Authentication Mode*: By Null String

The status bar at the bottom shows "Done" and "Local intranet".



IP 7961 SIP phone Configuration (3 of 9)

The screenshot shows the Cisco Unified CM Administration web interface in Internet Explorer. The browser address bar shows the URL: `https://172.20.221.254:8443/ccmadmin/deviceEdit.do?key=9d063fb3-cbac-b2b3-9450-f06d061`. The page title is "Phone Configuration - Windows Internet Explorer". The navigation bar includes "Cisco Unified CM Administration" and "For Cisco Unified Communications Solutions". The user is logged in as "administrator".

The main content area is titled "Phone Configuration" and includes a "Related Links" section with "Back To Find/List". Below this are icons for "Save", "Delete", "Copy", "Reset", and "Add New".

The configuration is divided into three sections:

- Mobility Settings:**
 - Owner User ID: < None >
 - Phone Personalization*: Default
 - Phone Load Name: [Empty field]
 - Ignore Presentation Indicators (internal calls only)
 - Allow Control of Device from CTI
 - Logged Into Hunt Group
 - Remote Device
- Protocol Specific Information:**
 - Packet Capture Mode*: None
 - Packet Capture Duration: 0
 - Presence Group*: Standard Presence group
 - SIP Dial Rules: < None >
 - MTP Preferred Originating Codec*: 711ulaw
 - Device Security Profile*: Cisco 7961G-GE - Standard SIP Non-Secure Profile
 - Rerouting Calling Search Space: < None >
 - SUBSCRIBE Calling Search Space: < None >
 - SIP Profile*: Standard SIP Profile
 - Digest User: < None >
 - Media Termination Point Required
 - Unattended Port
 - Require DTMF Reception
- Certification Authority Proxy Function (CAPF) Information:**
 - Certificate Operation*: No Pending Operation
 - Authentication Mode*: By Null String

The status bar at the bottom shows "Done" and "Local intranet".



IP 7961 SIP phone Configuration (4 of 9)

The screenshot shows the Cisco Unified CM Administration web interface in Internet Explorer. The browser address bar shows the URL: `https://172.20.221.254:8443/ccmadmin/deviceEdit.do?key=9d063fb3-cbac-b2b3-9450-f06d061`. The page title is "Phone Configuration - Windows Internet Explorer".

The main navigation bar includes the Cisco logo, "Cisco Unified CM Administration", and "For Cisco Unified Communications Solutions". The user is logged in as "administrator". The navigation menu includes: System, Call Routing, Media Resources, Voice Mail, Device, Application, User Management, Bulk Administration, and Help.

The "Phone Configuration" section is active, showing a "Related Links" dropdown with "Back To Find/List". Below this are icons for Save, Delete, Copy, Reset, and Add New.

The configuration area is divided into three sections:

- Do Not Disturb**:
 - Do Not Disturb
 - DND Option*: Ringer Off
 - DND Incoming Call Alert: < None >
- Secure Shell Information**:
 - Secure Shell User: [text input]
 - Secure Shell Password: [password input]
- Product Specific Configuration Layout**:
 - Disable Speakerphone
 - Disable Speakerphone and Headset
 - PC Port *: Enabled
 - Settings Access*: Enabled
 - Gratuitous ARP*: Disabled
 - PC Voice VLAN Access*: Enabled
 - Video Capabilities*: Disabled
 - Auto Line Select*: Disabled
 - Web Access*: Enabled
 - Span to PC Port*: Disabled
 - Logging Display*: PC Controlled
 - Load Server: [text input]
 - Recording Tone*: Disabled
 - Recording Tone Local Volume*: 100
 - Recording Tone Remote Volume*: 50
 - Recording Tone Duration: [text input]

The status bar at the bottom shows "Done" and "Local intranet" with a zoom level of 100%.



IP 7961 SIP phone Configuration (5 of 9)

The screenshot displays the Cisco Unified CM Administration web interface in Internet Explorer. The browser address bar shows the URL: `https://172.20.221.254:8443/ccmadmin/deviceEdit.do?key=9d063fb3-cbac-b2b3-9450-f06d061`. The page title is "Phone Configuration - Windows Internet Explorer".

The main content area is titled "Phone Configuration" and contains a table of configuration parameters for a device. The parameters and their values are as follows:

Parameter	Value
Span to PC Port*	Disabled
Logging Display*	PC Controlled
Load Server	
Recording Tone*	Disabled
Recording Tone Local Volume*	100
Recording Tone Remote Volume*	50
Recording Tone Duration	
RTCP*	Disabled
"more" Soft Key Timer	5
Auto Call Select*	Enabled
Log Server	
Advertise G.722 Codec*	Use System Default
Wideband Headset UI Control*	Enabled
Wideband Handset UI Control*	Enabled
Wideband Headset*	Enabled
Wideband Handset*	Use Phone Default
Peer Firmware Sharing*	Disabled
Cisco Discovery Protocol (CDP): Switch Port*	Enabled
Cisco Discovery Protocol (CDP): PC Port*	Enabled

Below the configuration table, there are several informational messages:

- *- indicates required item.
- ** - Device reset is not required for changes to Packet Capture Mode and Packet Capture Duration.
- ***Note: Security Profile Contains Addition CAPF Settings.

The bottom of the page shows the status bar with "Done" and "Local intranet" information.



IP 7961 SIP phone Configuration (6 of 9)

The screenshot displays the Cisco Unified CM Administration web interface in Internet Explorer. The browser address bar shows the URL: `https://172.20.221.254:8443/ccadmin/directoryNumberEdit.do?key=ae2584c5-054f-07b8-820`. The page title is "Directory Number Configuration - Windows Internet Explorer".

The interface includes a navigation menu with options like "System", "Call Routing", "Media Resources", "Voice Mail", "Device", "Application", "User Management", "Bulk Administration", and "Help". The user is logged in as "administrator".

The main content area is titled "Directory Number Configuration" and includes a "Related Links" section with "Configure Device (SEP001955FA1056)".

The configuration form is divided into three sections:

- Directory Number Information:** Directory Number* (4002), Route Partition (< None >), Description, Alerting Name (Vindaloo 04 [Alert]), ASCII Alerting Name (Vindaloo 04 [Alert]), Allow Control of Device from CTI, Associated Devices (SEP001955FA1056), and Dissociate Devices.
- Directory Number Settings:** Voice Mail Profile (CM-Vindaloo-VMP), Calling Search Space (< None >), Presence Group* (Standard Presence group), User Hold MOH Audio Source (< None >), Network Hold MOH Audio Source (< None >), and Auto Answer* (Auto Answer Off).
- AAR Settings:** A table with columns for "Voice Mail", "AAR Destination Mask", and "AAR Group". The "Voice Mail" column has a checkbox and the text "or". The "AAR Group" column has a dropdown menu set to "< None >". A checkbox "Retain this destination in the call forwarding history" is checked.

Buttons for "Edit Device" and "Edit Line Appearance" are visible next to the Associated Devices field.



IP 7961 SIP phone Configuration (7 of 9)

The screenshot shows the Cisco Unified CM Administration web interface in Internet Explorer. The browser address bar shows the URL: <https://172.20.221.254:8443/ccadmin/directoryNumberEdit.do?key=ae2584c5-054f-07b8-820>. The page title is "Directory Number Configuration". The navigation menu includes "System", "Call Routing", "Media Resources", "Voice Mail", "Device", "Application", "User Management", "Bulk Administration", and "Help". The user is logged in as "administrator".

The main content area is titled "Directory Number Configuration" and includes a "Related Links" section with "Configure Device (SEP001955FA1056)". Below this are action buttons: Save, Delete, Reset, and Add New.

The "Call Forward and Call Pickup Settings" section contains a table with columns: "Voice Mail", "Destination", and "Calling Search Space".

	Voice Mail	Destination	Calling Search Space
Calling Search Space Activation Policy			Use System Default
Forward All	<input type="checkbox"/> or	<input type="text"/>	< None >
Secondary Calling Search Space for Forward All			< None >
Forward Busy Internal	<input type="checkbox"/> or	<input type="text"/>	< None >
Forward Busy External	<input type="checkbox"/> or	<input type="text"/>	< None >
Forward No Answer Internal	<input type="checkbox"/> or	<input type="text"/>	< None >
Forward No Answer External	<input type="checkbox"/> or	<input type="text"/>	< None >
Forward No Coverage Internal	<input type="checkbox"/> or	<input type="text"/>	< None >
Forward No Coverage External	<input type="checkbox"/> or	<input type="text"/>	< None >
Forward on CTI Failure	<input type="checkbox"/> or	<input type="text"/>	< None >
Forward Unregistered Internal	<input type="checkbox"/> or	<input type="text"/>	< None >
Forward Unregistered External	<input type="checkbox"/> or	<input type="text"/>	< None >
No Answer Ring Duration (seconds)	<input type="text"/>		
Call Pickup Group			< None >

The "MLPP Alternate Party Settings" section includes:

- Target (Destination):
- MLPP Calling Search Space: < None >
- MLPP No Answer Ring Duration (seconds):

The "Line Settings for All Devices" section includes:

- Hold Reversion Ring Duration (seconds): Setting the Hold Reversion Ring Duration to zero will disable the feature.

The status bar at the bottom shows "Done" and "Local intranet".



IP 7961 SIP phone Configuration (8 of 9)

The screenshot shows the Cisco Unified CM Administration web interface in Internet Explorer. The browser address bar shows the URL: <https://172.20.221.254:8443/ccadmin/directoryNumberEdit.do?key=ae2584c5-054f-07b8-820>. The page title is "Directory Number Configuration - Windows Internet Explorer".

The main content area is titled "Directory Number Configuration" and includes a "Related Links" section with a link to "Configure Device (SEP001955FA1056)". Below this, there are action buttons: Save, Delete, Reset, and Add New.

The configuration section is titled "Line 1 on Device SEP001955FA1056" and contains the following fields and options:

- Hold Reversion Notification Interval (seconds): feature. Setting the Hold Reversion Notification Interval to zero will disable the feature.
- Display (Internal Caller ID): Display text for a line appearance is intended for displaying text such as a name instead of a directory number for internal calls. If you specify a number, the person receiving a call may not see the proper identity of the caller.
- ASCII Display (Internal Caller ID):
- Line Text Label:
- ASCII Line Text Label:
- External Phone Number Mask:
- Visual Message Waiting Indicator Policy*:
- Audible Message Waiting Indicator Policy*:
- Ring Setting (Phone Idle)*:
- Ring Setting (Phone Active): Applies to this line when any line on the phone has a call in progress.
- Call Pickup Group Audio Alert Setting(Phone Idle):
- Call Pickup Group Audio Alert Setting(Phone Active):
- Recording Option*:
- Recording Profile:
- Monitoring Calling Search Space:

The status bar at the bottom shows "Done" and "Local intranet".



IP 7961 SIP phone Configuration (9 of 9)

The screenshot shows the Cisco Unified CM Administration web interface in Internet Explorer. The browser address bar shows the URL: `https://172.20.221.254:8443/ccadmin/directoryNumberEdit.do?key=ae2584c5-054f-07b8-820`. The page title is "Directory Number Configuration - Windows Internet Explorer".

The interface includes a navigation menu with options like "System", "Call Routing", "Media Resources", "Voice Mail", "Device", "Application", "User Management", "Bulk Administration", and "Help". The current page is "Directory Number Configuration" for device "SEP001955FA1056".

The configuration form contains the following sections:

- Alert Setting(Phone Idle):** Call Pickup Group Audio (Use System Default), Alert Setting(Phone Active) (Call Recording Disabled), Recording Option* (< None >), Recording Profile (< None >), Monitoring Calling Search Space (< None >).
- Multiple Call/Call Waiting Settings on Device SEP001955FA1056:** Note: The range to select the Max Number of calls is: 1-200. Maximum Number of Calls* (4), Busy Trigger* (2) (Less than or equal to Max. Calls).
- Forwarded Call Information Display on Device SEP001955FA1056:** Checked options: Caller Name, Caller Number, Redirected Number, Dialed Number.
- Users Associated with Line:** Associate End Users button.

At the bottom, there are "Save", "Delete", "Reset", and "Add New" buttons. A legend indicates that "*" indicates a required item and "**" indicates that changes to Line or Directory Number settings require a restart.



Configuring the Cisco 3825 Router

Vindaloo#**sho ver**

Cisco IOS Software, 3800 Software (CCisco 3825-IPVOICE-M), Version 12.4(3a), RELEASE SOFTWARE (fc2)

Technical Support: <http://www.cisco.com/techsupport>

Copyright (c) 1986-2005 by Cisco Systems, Inc.

Compiled Fri 30-Sep-05 01:45 by hqluong

ROM: System Bootstrap, Version 12.3(11r)T1, RELEASE SOFTWARE (fc1)

Vindaloo uptime is 25 weeks, 6 days, 20 hours, 25 minutes

System returned to ROM by power-on

System image file is "flash:cCisco 3825-ipvoice-mz.124-3a.bin"

Cisco 3825 (revision 1.0) with 226304K/35840K bytes of memory.

Processor board ID FHK0847F0QC

2 Gigabit Ethernet interfaces

62 Serial interfaces

2 Channelized E1/PRI ports

2 Channelized T1/PRI ports

2 Voice FXO interfaces

4 Voice FXS interfaces

DRAM configuration is 64 bits wide with parity enabled.

479K bytes of NVRAM.

62592K bytes of ATA System CompactFlash (Read/Write)

Configuration register is 0x2102

Vindaloo#

Vindaloo#**sho run**

Building configuration...

Current configuration : 2981 bytes

```
!  
version 12.4  
service timestamps debug datetime msec  
service timestamps log datetime msec  
no service password-encryption  
!  
hostname Vindaloo  
!  
boot-start-marker  
boot-end-marker  
!  
logging buffered 10000000 debugging  
enable password cisco  
!  
no aaa new-model  
!  
resource policy  
!  
no network-clock-participate slot 1  
no network-clock-participate wic 0
```




```
interface GigabitEthernet0/0
 ip address 172.20.221.202 255.255.255.0
 duplex auto
 speed auto
 media-type rj45
 negotiation auto
!
interface GigabitEthernet0/1
 no ip address
 shutdown
 duplex auto
 speed auto
 media-type rj45
 negotiation auto
!
interface Serial1/0/0:15
 no ip address
 isdn switch-type primary-qsig
 isdn incoming-voice voice
 isdn bind-13 ccm-manager
 no cdp enable
!
interface Serial1/0/1:15
 no ip address
 isdn switch-type primary-qsig
 isdn protocol-emulate network
 isdn incoming-voice voice
 isdn T310 120000
 isdn bind-13 ccm-manager
 no cdp enable
!
ip classless
ip route 0.0.0.0 0.0.0.0 GigabitEthernet0/0
ip route 0.0.0.0 0.0.0.0 172.20.221.1
!
no ip http server
!
!
!
tftp-server flash:cCisco 3825-ipvoice-mz.124-3a.bin
!
control-plane
!
!
!
voice-port 0/1/0
!
voice-port 0/1/1
!
voice-port 0/1/2
!
voice-port 0/1/3
!
voice-port 0/2/0
```



```
!  
voice-port 0/2/1  
!  
voice-port 1/0/0:15  
!  
voice-port 1/0/1:15  
!  
ccm-manager mgcp  
ccm-manager music-on-hold  
ccm-manager config server 172.20.221.254  
ccm-manager config  
!  
mgcp  
mgcp call-agent CM-Vindaloo 2427 service-type mgcp version 0.1  
mgcp dtmf-relay voip codec all mode out-of-band  
mgcp rtp unreachable timeout 1000 action notify  
mgcp modem passthrough voip mode nse  
mgcp package-capability rtp-package  
no mgcp package-capability res-package  
mgcp package-capability sst-package  
no mgcp package-capability fxr-package  
mgcp package-capability pre-package  
no mgcp timer receive-rtcp  
mgcp sdp simple  
mgcp fax t38 inhibit  
mgcp rtp payload-type g726r16 static  
!  
mgcp profile default  
!  
!  
!  
dial-peer voice 4151 pots  
  port 0/1/0  
!  
dial-peer voice 999010 pots  
  service mgcpapp  
  port 0/1/0  
!  
dial-peer voice 1 pots  
  service mgcpapp  
!  
dial-peer voice 2 pots  
  service mgcpapp  
  port 1/0/1:15  
!  
!  
line con 0  
  stopbits 1  
line aux 0  
  stopbits 1  
line vty 0 4  
  password cisco  
  login  
!
```



```
scheduler allocate 20000 1000
ntp clock-period 17178609
ntp server 192.168.240.254
!
end
```

Vindaloo#

Configuring the PSTN Cisco 1700 Router

```
router_B#sho ver
Cisco Internetwork Operating System Software
IOS (tm) C1700 Software (C1700-IPVOICE-M), Version 12.3(13a), RELEASE SOFTWARE (fc2)
Technical Support: http://www.cisco.com/techsupport
Copyright (c) 1986-2005 by cisco Systems, Inc.
Compiled Tue 26-Apr-05 07:06 by ssearch
Image text-base: 0x8000816C, data-base: 0x81428AE4
```

```
ROM: System Bootstrap, Version 12.2(4r)XL, RELEASE SOFTWARE (fc1)
ROM: C1700 Software (C1700-IPVOICE-M), Version 12.3(13a), RELEASE SOFTWARE (fc2)
```

```
router_B uptime is 2 days, 3 hours, 2 minutes
System returned to ROM by power-on
System image file is "flash:c1700-ipvoice-mz.123-13a.bin"
```

```
cisco 1760 (MPC860P) processor (revision 0x200) with 49152K/16384K bytes of memory.
Processor board ID FOC06490MS4 (245310706), with hardware revision BB67
MPC860P processor: part number 5, mask 2
Channelized E1, Version 1.0.
Bridging software.
X.25 software, Version 3.0.0.
Primary Rate ISDN software, Version 1.1.
1 FastEthernet/IEEE 802.3 interface(s)
31 Serial network interface(s)
2 Channelized E1/PRI port(s)
2 Voice FXS interface(s)
32K bytes of non-volatile configuration memory.
16384K bytes of processor board System flash (Read/Write)
```

```
Configuration register is 0x2102
```

```
router_B#
router_B#
router_B#sho run
Building configuration...
```

```
Current configuration : 1513 bytes
!
version 12.3
service timestamps debug datetime msec
service timestamps log datetime msec
no service password-encryption
!
```




```
isdn bchan-number-order ascending
no cdp enable
!
ip classless
no ip http server
!
!
voice-port 0/0:15
!
voice-port 3/0
  station-id name bal
  station-id number 16503646325
  caller-id enable
!
voice-port 3/1
  station-id name BAL2
  station-id number 16503646326
  caller-id enable
!
!
dial-peer cor custom
!
!
!
dial-peer voice 1 pots
  destination-pattern 91408.....
  direct-inward-dial
  port 0/0:15
  prefix 91408
!
dial-peer voice 2 pots
  destination-pattern 3...
  direct-inward-dial
  port 0/0:15
  prefix 3
!
dial-peer voice 3 pots
  destination-pattern 16503646326
  port 3/1
  prefix 1
!
dial-peer voice 4 pots
  destination-pattern 16503646325
  port 3/0
  prefix 1
!
!
line con 0
line aux 0
line vty 0 4
  login
!
end
```




Acronyms

Acronym	Definitions
ANF-PR	Additional Network Feature Path Replacement
AOC	Advice-of-charge. Information element is sent with the connection setup information for incoming Euro-ISDN connections. The AOC IE is used for call charge calculation.
CUCM	Cisco Unified Communication Manager
CCBS	Call Completion to Busy Subscriber
CCNR	Call Completion on No Reply
CFB	Call Forwarding on Busy
CFNR	Call Forwarding No Reply
CFU	Call Forwarding Unconditional
CLIP	Calling Line (Number) Identification Presentation
CLIR	Calling Line (Number) Identification Restriction
CNIP	Calling Name Identification Presentation
CNIR	Calling Name Identification Restriction
COLP	Connected Line (Number) Identification Presentation
COLR	Connected Line (Number) Identification Restriction
CONP	Connected Name Identification Presentation
CONR	Connected Name Identification Restriction
CT	Call Transfer
MWI	Message Waiting Indicator
PSTN	Public Switched Telephone Network



Important Information

THE SPECIFICATIONS AND INFORMATION REGARDING THE PRODUCTS IN THIS MANUAL ARE SUBJECT TO CHANGE WITHOUT NOTICE. ALL STATEMENTS, INFORMATION, AND RECOMMENDATIONS IN THIS MANUAL ARE BELIEVED TO BE ACCURATE BUT ARE PRESENTED WITHOUT WARRANTY OF ANY KIND, EXPRESS OR IMPLIED. USERS MUST TAKE FULL RESPONSIBILITY FOR THEIR APPLICATION OF ANY PRODUCTS.

IN NO EVENT SHALL CISCO OR ITS SUPPLIERS BE LIABLE FOR ANY INDIRECT, SPECIAL, CONSEQUENTIAL, OR INCIDENTAL DAMAGES, INCLUDING, WITHOUT LIMITATION, LOST PROFITS OR LOSS OR DAMAGE TO DATA ARISING OUT OF THE USE OR INABILITY TO USE THIS MANUAL, EVEN IF CISCO OR ITS SUPPLIERS HAVE BEEN ADVISED OF THE POSSIBILITY OF SUCH DAMAGES.



**Corporate
Headquarters**

Cisco Systems, Inc.
170 West Tasman Drive
San Jose, CA 95134-1706
USA
www.cisco.com
Tel: 408 526-4000
800 553-NETS (6387)
Fax: 408 526-4100

**European
Headquarters**

Cisco Systems International
BV
Haarlerbergpark
Haarlerbergweg 13-19
1101 CH Amsterdam
The Netherlands
www-europe.cisco.com
Tel: 31 0 20 357 1000
Fax: 31 0 20 357 1100

**Americas
Headquarters**

Cisco Systems, Inc.
170 West Tasman Drive
San Jose, CA 95134-1706
USA
www.cisco.com
Tel: 408 526-7660
Fax: 408 527-0883

**Asia Pacific
Headquarters**

Cisco Systems, Inc.
Capital Tower
168 Robinson Road
#22-01 to #29-01
Singapore 068912
www.cisco.com
Tel: +65 317 7777
Fax: +65 317 7799

Cisco Systems has more than 200 offices in the following countries and regions. Addresses, phone numbers, and fax numbers are listed on the Cisco Web site at www.cisco.com/go/offices.

Argentina • Australia • Austria • Belgium • Brazil • Bulgaria • Canada • Chile • China PRC • Colombia • Costa Rica • Croatia • Czech Republic • Denmark • Dubai, UAE • Finland • France • Germany • Greece • Hong Kong SAR • Hungary • India • Indonesia • Ireland • Israel • Italy • Japan • Korea • Luxembourg • Malaysia • Mexico • The Netherlands • New Zealand • Norway • Peru • Philippines • Poland • Portugal • Puerto Rico • Romania • Russia • Saudi Arabia • Scotland • Singapore • Slovakia • Slovenia • South Africa • Spain • Sweden • Switzerland • Taiwan • Thailand • Turkey • Ukraine • United Kingdom • United States • Venezuela • Vietnam • Zimbabwe

© 2007 Cisco Systems, Inc. All rights reserved.

CCVP, the Cisco logo, and the Cisco Square Bridge logo are trademarks of Cisco Systems, Inc.; Changing the Way We Work, Live, Play, and Learn is a service mark of Cisco Systems, Inc.; and Access Registrar, Aironet, BPX, Catalyst, CCDA, CCDP, CCIE, CCIP, CCNA, CCNP, CCSP, Cisco, the Cisco Certified Internetwork Expert logo, Cisco IOS, Cisco Press, Cisco Systems, Cisco Systems Capital, the Cisco Systems logo, Cisco Unity, Enterprise/Solver, EtherChannel, EtherFast, EtherSwitch, Fast Step, Follow Me Browsing, FormShare, GigaDrive, HomeLink, Internet Quotient, IOS, iPhone, IP/TV, iQ Expertise, the iQ logo, iQ Net Readiness Scorecard, iQuick Study, LightStream, Linksys, MeetingPlace, MGX, Networking Academy, Network Registrar, Packet, PIX, ProConnect, ScriptShare, SMARTnet, StackWise, The Fastest Way to Increase Your Internet Quotient, and TransPath are registered trademarks of Cisco Systems, Inc. and/or its affiliates in the United States and certain other countries.

All other trademarks mentioned in this document or Website are the property of their respective owners. The use of the word partner does not imply a partnership relationship between Cisco and any other company. (0705R)

Printed in the USA