



Cisco Unified CallManager 5.0-PBX Interoperability: Ericsson MD110 BC12 SP5 to a Cisco 3845 Gateway using E1 ECMA-QSIG with MGCP

Revised October 24, 2006

Table of Contents

Introduction	1
Network Topology.....	2
Limitations.....	2
System Components	2
Hardware Requirements	2
Software Requirements	2
Features	3
Features Supported.....	3
Features Not Supported.....	3
Configuration.....	4
Configuring the Ericsson MD-110 PBX.....	4
Configuring Cisco Unified CallManager.....	12
IP Phone Configuration	31
Cisco 3845 w/ VWIC-2MFT-E1 Configuration	36
Acronyms	39

Introduction

. This is an application note for connectivity of Ericsson MD-110 Release BC12 PBX with Cisco Unified CallManager Release 5.0 via Cisco 3845 w/ VWIC-2MFT-E1 as MGCP gateway using ECMA QSIG protocol.

The network topology diagram (Figure 1) shows the test setup for end-to-end interoperability with the Cisco Unified CallManager connected to the PBX via Cisco3845 w/ VWIC-2MFT-E1 link as MGCP gateway. Connectivity is achieved by using the PRI ECMA-QSIG E1 protocol type on the MGCP gateway with CallManager Service parameter QSIG variant of ECMA and ECMA switch type on the Ericsson MD-110 PBX.

This Application Note uses the Cisco3845 w/ VWIC-2MFT-E1 voice gateway, however other Cisco voice gateways are also an option to use since CallManager QSIG implementation does not depend on the physical interface.



Network Topology

Figure 1. Basic Call Setup

Basic Call Setup End-to-End Configuration

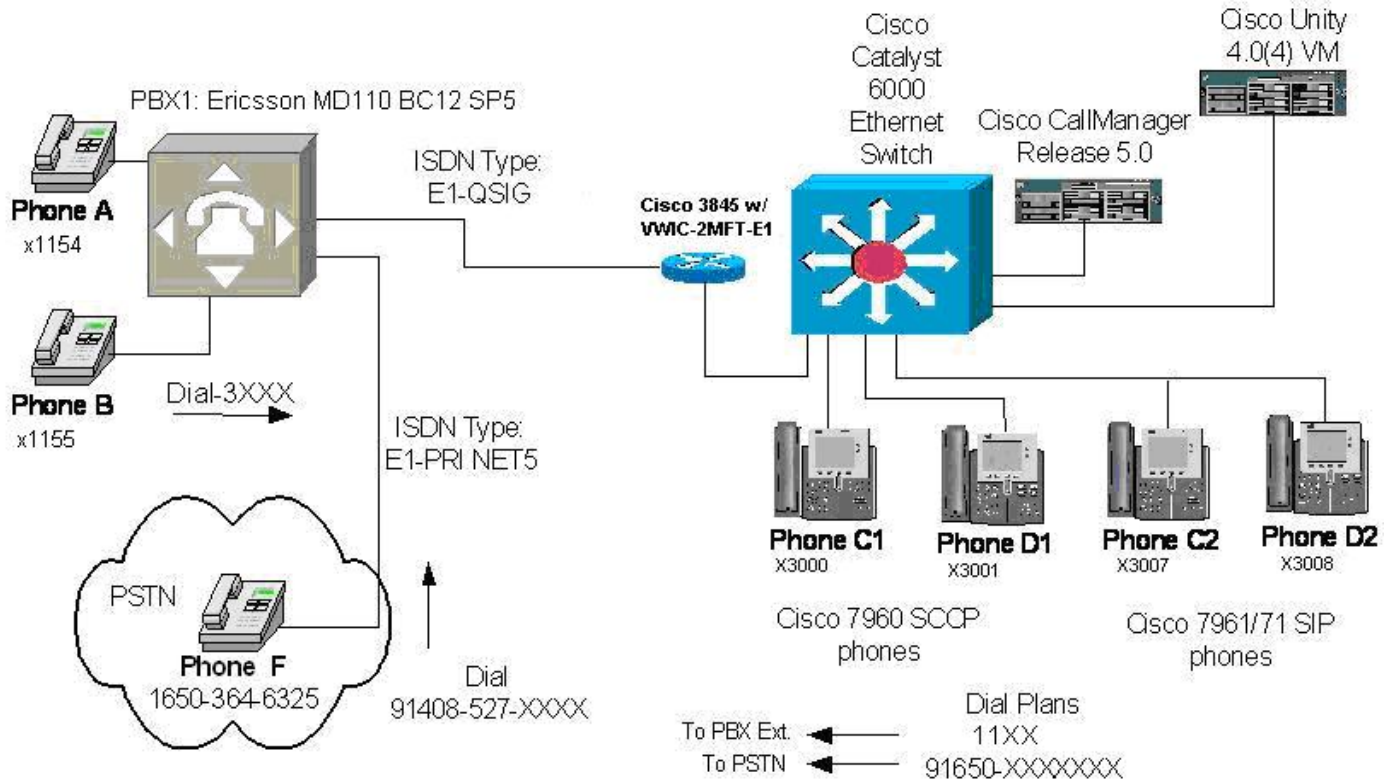


Figure 2. Network Topology or Test Setup

Limitations

Calling/Connected Name Restrictions

Ericsson phone displayed Calling/Connected Name when CCM sends it as restricted System Components

System Components

Hardware Requirements

Cisco Hardware

- Cisco 3845 w/ VWIC-2MFT-E1
- Cisco Unified CallManager Server

Ericsson MD110 PBX Hardware

- Circuit card TL76/1, PRI-E1

Software Requirements

- Cisco Unified CallManager version: 5.0



Ericsson MD110 software release: BC12 SP5

Cisco 3845 IOS release: 12.4

Features

Features Supported

CLIP-Calling Line (Number) Identification Presentation

CLIR-Calling Line (Number) Identification Restriction

CNIP-Calling Name Identification Presentation

COLP-Connected Line (Number) Identification Presentation

COLR- Connected Line (Number) Identification Restriction

CONP-Connected Name Identification Presentation

Sending Alerting Name

CT-Call Transfer (by join)

CFU-Call Forwarding Unconditional (by join)

CFB-Call Forwarding Busy (by join)

CFNR-Call Forwarding No Reply (by join)

Features Not Supported

Ericsson did not honor CNIR-Calling Name Identification Restriction

Ericsson did not honor CONR- Connected Name Identification Restriction

Ericsson did not Update Name and Number for Call Transfer, the limitation resides on the MD110 when using the configuration (ECMA) described in this document.

Ericsson did not support External/Network Call Forwarding, the limitation resides on the MD110 when using the configuration (ECMA) described in this document.

Ericsson did not support Call Forwarding by Reroute, the limitation resides on the MD110 when using the configuration (ECMA) described in this document.

Ericsson did not support Call Completion, the limitation resides on the MD110 when using the configuration (ECMA) described in this document.

Ericsson did not support ANF-PR-Additional Network Feature Path Replacement, the limitation resides on the MD110 when using the configuration (ECMA) described in this document.

Ericsson did not support Standard QSIG-MWI- Message Waiting Indication (lamp ON, lamp OFF), MD110 utilizes a Manufacturer's specific code to activate/deactivate MWI across the QSIG link



Configuration

Configuring the Ericsson MD-110 PBX

Warning: The Ericsson MD-110 PBX user interface is very precise. All parameters and options are mapped to position-dependent numeric fields within the various commands listed below. The user must have the correct revision of the Ericsson MD-110 PBX administration manual to be able to decipher each field position and determine its meaning. It is therefore not advisable to make changes to an MD-110 PBX unless you know exactly what you are doing. A single number out of place in a command string can cause unusual behavior on the PBX.

Configure the Ericsson MD-110 PBX in the following sequence:

1. **ROCAI** Route Category Initiate
2. **RODAI** Route Data Initiate
3. **ROEQI** Route Equipment Initiate
4. **RODDI** Route External Destination

Configuration Menus and Commands

Route Category Initiate

Setup internal characteristics for the route. Ex. Traffic direction, services, Bearer capabilities.

For Ericsson 1 node

```
<ROCAP:ROU=100;
ROUTE CATEGORY DATA
ROU SEL          TRM  SERV          NODG  DIST  DISL  TRAF      SIG          BCAP
100 7110000000000010 5  2110030000  0  30  128  03151515 111110000031 111111
END
<ROCAP:ROU=101;
ROUTE CATEGORY DATA
ROU SEL          TRM  SERV          NODG  DIST  DISL  TRAF      SIG          BCAP
101 7110000000000010 5  2110030000  0  30  128  03151515 111110000031 001100
END
```

For Ericsson 2 node

```
<ROCAP:ROU=1;
ROUTE CATEGORY DATA
ROU SEL          TRM  SERV          NODG  DIST  DISL  TRAF      SIG          BCAP
1 7110000000000010 5  3110000000  0  30  128  03151515 111110000031 111111
END
<ROCAP:ROU=3;
ROUTE CATEGORY DATA
ROU SEL          TRM  SERV          NODG  DIST  DISL  TRAF      SIG          BCAP
3 7110000000000010 5  3110000000  0  30  128  03151515 111110000031 111111
```



END

Route Data Initiate

For Ericsson 1 node

E1-PRI ECMA QSIG Route Protocol Characteristics, protocol side "Network"
<RODAP:ROU=100;

```
ROUTE DATA
ROU  TYPE  VARC          VARI          VARO          FILTER
100  SL60  H'00000310  H'15400000  H'06300000  NO
```

END

PSTN trunk E1-PRI ETSI Route Protocol Characteristics, protocol side "Network"
<RODAP:ROU=100;

```
ROUTE DATA
ROU  TYPE  VARC          VARI          VARO          FILTER
100  SL60  H'00000310  H'05400000  H'06300000  NO
```

END

E1-PRI ECMA QSIG Route Protocol Characteristics, protocol side "User"

<RODAP:ROU=101;

```
ROUTE DATA
ROU  TYPE  VARC          VARI          VARO          FILTER
101  SL60  H'00000310  H'15400000  H'06400000  NO
```

END

For Ericsson 2 node

<RODAP:ROU=1;

```
ROUTE DATA
ROU  TYPE  VARC          VARI          VARO          FILTER
1    SL60  H'00000310  H'15400000  H'06400000  NO
```

END

<RODAP:ROU=3;

```
ROUTE DATA
ROU  TYPE  VARC          VARI          VARO          FILTER
3    SL60  H'00000310  H'15400000  H'06300000  NO
```

END

Route Equipment Initiate

For Ericsson 1 node

E1-PRI QSIG trunk lines (B-channels)

< ROEDP:ROU=100,TRU=ALL;

```
ROUTE EQUIPMENT DATA
ROU          TRU          EQU          SQU          INDDAT          CNTRL
100          001-1        001-0-30-01  001-0-30-01  H'000000000000
100          001-2        001-0-30-02  001-0-30-02  H'000000000000
```



100	001-3	001-0-30-03	H'000000000000
100	001-4	001-0-30-04	H'000000000000
100	001-5	001-0-30-05	H'000000000000
100	001-6	001-0-30-06	H'000000000000
100	001-7	001-0-30-07	H'000000000000
100	001-8	001-0-30-08	H'000000000000
100	001-9	001-0-30-09	H'000000000000
100	001-10	001-0-30-10	H'000000000000
100	001-11	001-0-30-11	H'000000000000
100	001-12	001-0-30-12	H'000000000000
100	001-13	001-0-30-13	H'000000000000
100	001-14	001-0-30-14	H'000000000000
100	001-15	001-0-30-15	H'000000000000
100	001-17	001-0-30-17	H'000000000000
100	001-18	001-0-30-18	H'000000000000
100	001-19	001-0-30-19	H'000000000000
100	001-20	001-0-30-20	H'000000000000
100	001-21	001-0-30-21	H'000000000000
100	001-22	001-0-30-22	H'000000000000
100	001-23	001-0-30-23	H'000000000000
100	001-24	001-0-30-24	H'000000000000
100	001-25	001-0-30-25	H'000000000000
100	001-26	001-0-30-26	H'000000000000
100	001-27	001-0-30-27	H'000000000000
100	001-28	001-0-30-28	H'000000000000
100	001-29	001-0-30-29	H'000000000000
100	001-30	001-0-30-30	H'000000000000
100	001-31	001-0-30-31	H'000000000000

END

<ROEDP:ROU=101,TRU=ALL;

ROUTE EQUIPMENT DATA

ROU	TRU	EQU	SQU	INDDAT	CNTRL
101	001-1	001-0-40-01		H'000000000000	
101	001-2	001-0-40-02		H'000000000000	
101	001-3	001-0-40-03		H'000000000000	
101	001-4	001-0-40-04		H'000000000000	
101	001-5	001-0-40-05		H'000000000000	
101	001-6	001-0-40-06		H'000000000000	
101	001-7	001-0-40-07		H'000000000000	
101	001-8	001-0-40-08		H'000000000000	
101	001-9	001-0-40-09		H'000000000000	
101	001-10	001-0-40-10		H'000000000000	
101	001-11	001-0-40-11		H'000000000000	
101	001-12	001-0-40-12		H'000000000000	
101	001-13	001-0-40-13		H'000000000000	
101	001-14	001-0-40-14		H'000000000000	
101	001-15	001-0-40-15		H'000000000000	
101	001-17	001-0-40-17		H'000000000000	
101	001-18	001-0-40-18		H'000000000000	
101	001-19	001-0-40-19		H'000000000000	
101	001-20	001-0-40-20		H'000000000000	
101	001-21	001-0-40-21		H'000000000000	
101	001-22	001-0-40-22		H'000000000000	
101	001-23	001-0-40-23		H'000000000000	
101	001-24	001-0-40-24		H'000000000000	
101	001-25	001-0-40-25		H'000000000000	
101	001-26	001-0-40-26		H'000000000000	



```
101          001-27          001-0-40-27          H'000000000000
101          001-28          001-0-40-28          H'000000000000
101          001-29          001-0-40-29          H'000000000000
101          001-30          001-0-40-30          H'000000000000
101          001-31          001-0-40-31          H'000000000000
```

END

For Ericsson 2 node

<ROEDP:ROU=1,TRU=ALL;

ROUTE EQUIPMENT DATA

ROU	TRU	EQU	IP ADDRESS	SQU	INDDAT	CNTRL
1	001-1	001-1-40-01			H'000000000000	
1	001-2	001-1-40-02			H'000000000000	
1	001-3	001-1-40-03			H'000000000000	
1	001-4	001-1-40-04			H'000000000000	
1	001-5	001-1-40-05			H'000000000000	
1	001-6	001-1-40-06			H'000000000000	
1	001-7	001-1-40-07			H'000000000000	
1	001-8	001-1-40-08			H'000000000000	
1	001-9	001-1-40-09			H'000000000000	
1	001-10	001-1-40-10			H'000000000000	
1	001-11	001-1-40-11			H'000000000000	
1	001-12	001-1-40-12			H'000000000000	
1	001-13	001-1-40-13			H'000000000000	
1	001-14	001-1-40-14			H'000000000000	
1	001-15	001-1-40-15			H'000000000000	
1	001-17	001-1-40-17			H'000000000000	
1	001-18	001-1-40-18			H'000000000000	
1	001-19	001-1-40-19			H'000000000000	
1	001-20	001-1-40-20			H'000000000000	
1	001-21	001-1-40-21			H'000000000000	
1	001-22	001-1-40-22			H'000000000000	
1	001-23	001-1-40-23			H'000000000000	
1	001-24	001-1-40-24			H'000000000000	
1	001-25	001-1-40-25			H'000000000000	
1	001-26	001-1-40-26			H'000000000000	
1	001-27	001-1-40-27			H'000000000000	
1	001-28	001-1-40-28			H'000000000000	
1	001-29	001-1-40-29			H'000000000000	
1	001-30	001-1-40-30			H'000000000000	
1	001-31	001-1-40-31			H'000000000000	

END

<ROEDP:ROU=3,TRU=ALL;

ROUTE EQUIPMENT DATA

ROU	TRU	EQU	IP ADDRESS	SQU	INDDAT	CNTRL
3	001-1	001-1-50-01			H'000000000000	
3	001-2	001-1-50-02			H'000000000000	
3	001-3	001-1-50-03			H'000000000000	
3	001-4	001-1-50-04			H'000000000000	
3	001-5	001-1-50-05			H'000000000000	
3	001-6	001-1-50-06			H'000000000000	
3	001-7	001-1-50-07			H'000000000000	
3	001-8	001-1-50-08			H'000000000000	
3	001-9	001-1-50-09			H'000000000000	
3	001-10	001-1-50-10			H'000000000000	



```

3      001-11      001-1-50-11      H'000000000000
3      001-12      001-1-50-12      H'000000000000
3      001-13      001-1-50-13      H'000000000000
3      001-14      001-1-50-14      H'000000000000
3      001-15      001-1-50-15      H'000000000000
3      001-17      001-1-50-17      H'000000000000
3      001-18      001-1-50-18      H'000000000000
3      001-19      001-1-50-19      H'000000000000
3      001-20      001-1-50-20      H'000000000000
3      001-21      001-1-50-21      H'000000000000
3      001-22      001-1-50-22      H'000000000000
3      001-23      001-1-50-23      H'000000000000
3      001-24      001-1-50-24      H'000000000000
3      001-25      001-1-50-25      H'000000000000
3      001-26      001-1-50-26      H'000000000000
3      001-27      001-1-50-27      H'000000000000
3      001-28      001-1-50-28      H'000000000000
3      001-29      001-1-50-29      H'000000000000
3      001-30      001-1-50-30      H'000000000000
3      001-31      001-1-50-31      H'000000000000

```

END

Route External Destination Data Initiate

For Ericsson 1 PSTN ROUTE

```

NANSI:NUMTYP=ED,NUMSE=650;
RODDI:DEST=650,ROU=100,ADC=1707000000000250107001100,SRT=1;
NANLS:EXL=650,MIN=10,MAX=10;

```

For Ericsson 1 node

Route and Access Code for the trunk Information- Note Route 100 & 101 are the PRI QSIG

```

< RODDP:DEST=ALL;
EXTERNAL DESTINATION ROUTE DATA
DEST  DRN  ROU  CHO  CUST  ADC          TRC  SRT  NUMACK  PRE
21      1      1707000000000250107001100  0  3  0
25      100   1707000000000250107001100  0  3  0
31      11    1005000000000250000000000  0  3  0
35      11    0606000000000250106001100  0  3  0
36      6     0115000000000250001000000  0  3  0
38      8     0115000000000250001000000  0  3  0
30      101   1707000000000250107001100  0  1  0
42      100   0707000000000250107001100  0  1  0
550     11    0606000000000250106001100  0  1  0
551     101   0707000000000250107001100  0  1  0
560     11    0606000000000250106001100  0  1  0
650     100   1707000000000250107001100  0  1  0
666     100   0707000000000250107001100  0  1  0
950     11    0606000000000250106001100  0  7  0

```

END

For Ericsson 2 node

Route and Access Code for the trunk Information- Note Route 1 & 3 are the PRI QSIG

```

<RODDP:DEST=ALL;

```




EXTERNAL DESTINATION ROUTE DATA

DEST	DRN	ROU	CHO	CUST	ADC	TRC	SRT	NUMACK	PRE
11		1			1707000000000250107001100	0	1	0	
21		1			1727000000000250107001100	0	1	0	
23		3			1727000000000250107001100	0	1	0	
31		11			1005200000000250100001000	0	3	0	
30		3			1707000000000250107001100	0	1	0	
50		11			0606000000000250106001100	0	1	0	
550		11			0606000000000250106001100	0	1	0	
551		3			0707100000000250107001100	0	1	0	
560		11			0606000000000250106001100	0	1	0	
60		11			0606000000000250106001100	0	1	0	
777		1			0707000000000250007001100	0	1	0	
950		11			0606000000000250106001100	0	7	0	

END

Overlap/Enbloc sending

For Ericsson 1 node

To do overlap sending First remove access code
<NANLR:EXL=30;

To do Enbloc sending
<NANLS:EXL=30,MIN=4,MAX=4;

Key System Directory

For Ericsson 1 node

<KSDDP:DIR=1154;

KEY SYSTEM DIRECTORY DATA

DIR	CUST	EQU	CAT	ADN	ODN	CALALT	TIMER
1154		001-0-20-03	-			1	0

END

<KSDDP:DIR=1155;

KEY SYSTEM DIRECTORY DATA

DIR	CUST	EQU	CAT	ADN	ODN	CALALT	TIMER
1155		001-0-20-04	-			1	0

END

For Ericsson 2 node

<KSDDP:DIR=4200&&4201;

KEY SYSTEM DIRECTORY DATA

DIR	CUST	EQU	CAT	ADN	ODN	CALALT	TIMER
4200		001-1-20-00	1			1	0
4201		001-1-20-01	1			1	0

END

Calling/Connected Name and Number Restrictions

To configure Calling/Connected Name and Number Restricted, use the following command:

<KSCAC:DIR=1154&&1155,ADC=00010013010000;



To configure Calling/Connected Name and Number Allowed, use the following command:

```
<KSCAC:DIR=1154&&1155,ADC=00100013010000;
```

To remove Name, use the following command:

```
<NIINE:DIR=1154;//REMOVE NAME
```

To add Name, use the following command:

```
<NIINI:DIR=1154,NAME1="BC12-1",NAME2="FOUR",PRES=20; //ADD NAME
```

To print Station's Name, use the following command:

```
<NIINP:DIR=1154&&1155;
```

```
EXTENSION NAMES
DIR      NAME1                NAME2                PRES  INFO
1154    BC12-1                FOUR                 10
1155    BC12-1                FIVE                 10
END
```

Path Replacement (Route Optimization)

To enable/disable Path Replacement, use the following command:

```
<ASPAC:PARNUM=66,PARVAL=1; //Route optimization allowed. --- FORWARD
```

```
<ASPAC:PARNUM=66,PARVAL=0; //Route optimization NOT allowed.
```

Call Diversion on Busy/No Reply

To enable/disable Diversion on Busy/No Reply, use the following command:

```
<CDINI:DIR=1154,DIV=4200; // CALL DIVERSION INDIVIDUAL NUMBER INITIATE
```

```
<CDINE:DIR=1154; // CALL DIVERSION INDIVIDUAL NUMBER END
```

Diversion Counter

```
<ASUVP:PARNUM=121; // check current setting for maximum number of hop diversions
```

```
<ASPAC:PARNUM=121,PARVAL= VALUE; // To set maximum number of hop diversions where VALUE range is
0-255
```

```
<ASUVP:PARNUM=121;
```

```
APPLICATION SYSTEM PARAMETER VALUES FOR UNIT
PARNUM  CHA      PARVAL    MINVAL    MAXVAL    UNIT      REMARK
121     YES      12        0         255      RMP
END
```



Ericsson MD-110 Software Version

For Ericsson 1 node

```
<•CADAP;  
CALENDAR DATA  
IDENTITY=ACM-1  
VERSION=CXP1010101/2/BC12SP5/R2A  
11:19:20  
MON 15 OCT 2006  
END
```

For Ericsson 2 node

```
<CADAP;  
CALENDAR DATA  
  
IDENTITY=DANDS-EURO  
VERSION=CXP1010001/5/BC11SP13/R3A  
  
CALENDAR TIME NOT VALID  
17:23:44  
MON 15 AUG 2006  
END
```



Configuring Cisco Unified CallManager

ECMA Protocol Service Parameter

— Clusterwide Parameters (Device - PRI and MGCP Gateway)

[ASN.1 ROSE OID Encoding](#)*

Use Global Value (ECMA)

Use Local Value

[QSIG Variant](#)*

ECMA (Protocol Profile 0x91)

ISO (Protocol Profile

CMM-E1 Gateway Configuration

The screenshot shows the Cisco Unified CallManager Administration interface for configuring a CMM-E1 gateway. The browser window title is "Gateway Configuration - Microsoft Internet Explorer". The address bar shows the URL: <https://172.20.8.254:8443/ccmadmin/gatewayEdit.do?key=95c9bd25-3c32-a15d-ec50-67a6190cb58e>. The page is titled "Cisco Unified CallManager Administration" and shows the user is logged in as "CCMAdministrator".

Gateway Configuration

Status: Ready

Gateway Details

Product	Cisco 3845
Gateway	tony_3845
Protocol	MGCP
Domain Name *	tony_3845
Description	tony_3845
Cisco Unified CallManager Group*	Default

Configured Slots, VICs and Endpoints

Slot	Module	Subunit	Port 1	Port 2
Slot 0	NM-4VWIC-MBRD			
Subunit 0	VWIC-2MFT-T1	0/0/0	0/0/1	
Subunit 1	< None >			
Subunit 2	< None >			
Subunit 3	< None >			
Slot 1	< None >			
Slot 2	< None >			
Slot 3	NM-HDV			
Subunit 0	VWIC-2MFT-E1	3/0/0	3/0/1	
Slot 4	< None >			

Product Specific Configuration

Global ISDN Switch Type	4ESS
Switchback Timing *	Graceful
Switchback uptime-delay (min)	10
Switchback schedule (hh:mm)	12:00
Type Of DTMF Relay *	Current GW Config

Buttons: Save, Delete, Reset, Add New



Gateway Configuration - Microsoft Internet Explorer

File Edit View Favorites Tools Help

Back Forward Stop Refresh Home Search Favorites Media Print Mail

Address <https://172.20.8.254:8443/ccadmin/gatewayEdit.do?key=57d0e84c-f807-4a5c-61c3-432e08252762>

Navigation Cisco Unified CallManager Administration Go

Cisco Unified CallManager Administration For Cisco IP Telecommunication Solutions Logged in as:CCAdministrator

System Call Routing Media Resources Voice Mail Device Application User Management Bulk Administration Help Log Off

Gateway Configuration Related Links: Back to MGCP Configuration Go

Status
Status: Ready

Device Information

Product	Cisco MGCP E1 Port
Gateway	tony_3845
Device Protocol	Digital Access PRI
Registration	Registered with Cisco Unified CallManager CM-CHIVAS
IP Address	172.20.8.26
End-Point Name *	S3/SU0/DS1-0@tony_3845
Description	<input type="text" value="S3/SU0/DS1-0@tony_3845"/>
Device Pool*	<input type="text" value="Default"/>
Call Classification*	<input type="text" value="Use System Default"/>
NetworkLocale	<input type="text" value="< None >"/>
Media Resource Group List	<input type="text" value="< None >"/>
Location*	<input type="text" value="Hub_None"/>
AAR Group	<input type="text" value="< None >"/>
Load Information	<input type="text" value=""/>

Transmit UTF-8 for Calling Party Name
 V150 (subset)

Multilevel Precedence and Preemption (MLPP) Information

MLPP Domain	<input type="text" value="< None >"/>
MLPP Indication	Not available on this device
MLPP Preemption	Not available on this device



Gateway Configuration - Microsoft Internet Explorer

File Edit View Favorites Tools Help

Back Forward Stop Refresh Home Search Favorites Media

Address <https://172.20.8.254:8443/ccadmin/gatewayEdit.do?key=70fe9fd7-c30a-a0b5-8cea-9ce03c2e97ea>

Interface Information

PRI Protocol Type*	PRI ISO QSIG E1
Protocol Side*	User
Channel Selection Order*	Top Down
Channel IE Type*	Timeslot Number
PCM Type*	A-law
Delay for first restart (1/8 sec ticks)*	32
Delay between restarts (1/8 sec ticks)*	4

Inhibit restarts at PRI initialization
 Enable status poll
 Unattended Port

Call Routing Information - Inbound Calls

Significant Digits*	All
Calling Search Space	incoming trunk
AAR Calling Search Space	< None >
Prefix DN	

Call Routing Information - Outbound Calls

Calling Party Presentation*	Default
Calling Party Selection*	Originator
Called party IE number type unknown*	National
Calling party IE number type unknown*	National
Called Numbering Plan*	Private
Calling Numbering Plan*	Private
Number of digits to strip*	0
Caller ID DN	
SMDI Base Port*	0



PRI Protocol Type Specific Information

- Display IE Delivery
- Redirecting Number IE Delivery - Outbound
- Redirecting Number IE Delivery - Inbound
- Send Extra Leading Character in Display IE***
- Setup non-ISDN Progress Indicator IE Enable****
- MCDN Channel Number Extension Bit Set to Zero**
- Send Calling Name In Facility IE
- Interface Identifier Present**

Interface Identifier Value**

Connected Line ID Presentation (QSIG Inbound Call)*

Default

UUIE Configuration

- Passing Precedence Level Through UUIE

Security Access Level*

Route Group Membership

QSIG-to-BC12-3

Product Specific Configuration

Line Coding *	HDB3	
Framing *	CRC4	
Clock *	External	
Input Gain (-6..14 db) *	0	
Output Attenuation (-6..14 db) *	0	
Echo Cancellation Enable *	Enable	
Echo Cancel Coverage (ms) *	64	

*- indicates required item.

** - applies to DMS-100 protocol only.

*** - applies to DMS-100 protocol and DMS-250 protocol only.

**** - may be required to force ringback from some PBXs.

***** - Device reset is not required for changes to Packet Capture Mode and Packet Capture Duration.



Partitions Configuration

The screenshot shows the 'Find and List Partitions' page in the Cisco Unified CallManager Administration interface. The browser title is 'Find and List Partitions - Microsoft Internet Explorer'. The address bar shows the URL: <https://172.20.8.254:8443/ccmadmin/partitionFindList.do?<%=reqParams%>&recCnt=0&colCnt=3>. The page header includes 'Cisco Unified CallManager Administration' and 'Logged in as: CCMAdministrator'. The navigation menu includes 'System', 'Call Routing', 'Media Resources', 'Voice Mail', 'Device', 'Application', 'User Management', 'Bulk Administration', and 'Help'. The main content area is titled 'Find and List Partitions' and shows a status of '2 records found'. The search options include a dropdown for 'Partition Name' set to 'begins with', a search button, and a checkbox for 'Search Within Results'. The search results table lists two partitions: 'Incoming Trunk' and 'phones'. The table has columns for 'Partition Name' and 'Description'. Below the table are buttons for 'Add New', 'Select All', 'Clear All', and 'Delete Selected', along with a 'Rows per Page' dropdown set to 50.

Calling Search Space Configuration

The screenshot shows the 'Calling Search Space Configuration' page in the Cisco Unified CallManager Administration interface. The browser title is 'Calling Search Space Configuration - Microsoft Internet Explorer'. The address bar shows the URL: <https://172.20.8.254:8443/ccmadmin/cssEdit.do?key=69e67ac1-4a7d-a9d8-c26f-cff015f46ff6>. The page header includes 'Cisco Unified CallManager Administration' and 'Logged in as: CCMAdministrator'. The navigation menu is the same as in the previous screenshot. The main content area is titled 'Calling Search Space Configuration' and shows a status of 'Status: Ready'. The 'Calling Search Space Information' section includes a 'Name*' field with the value 'incoming trunk' and a 'Description' field. The 'Route Partitions for this Calling Search Space' section shows a list of 'Available Partitions' with 'phones' selected and a 'Selected Partitions (Ordered by highest priority)' list with 'Incoming Trunk' selected. Below the lists are buttons for 'Save', 'Delete', 'Copy', and 'Add New'. A note at the bottom states '*- indicates required item.'



Calling Search Space Configuration - Microsoft Internet Explorer

File Edit View Favorites Tools Help

Back Forward Stop Home Search Favorites Media Print Mail

Address: https://172.20.8.254:8443/ccmadmin/cssEdit.do?key=fe223db4-f40e-6b05-0321-32b1606696a2

Navigation Cisco Unified CallManager Administration Go

Cisco Unified CallManager Administration For Cisco IP Telecommunication Solutions Logged in as:CCMAdministrator

System Call Routing Media Resources Voice Mail Device Application User Management Bulk Administration Help Log Off

Calling Search Space Configuration Related Links: Back To Find/List Go

Save Delete Copy Add New

Status
Status: Ready

Calling Search Space Information
Name* phones
Description

Route Partitions for this Calling Search Space

Available Partitions	Incoming Trunk
	v ^
Selected Partitions (Ordered by highest priority)	phones
	v ^

* - indicates required item.



Calling Search Space Configuration - Microsoft Internet Explorer

File Edit View Favorites Tools Help

Back Forward Stop Home Search Favorites Media Print Mail

Address <https://172.20.8.254:8443/ccadmin/cssEdit.do?key=5ca29d02-e7f5-70ce-c5d2-e6531981be96>

Navigation Cisco Unified CallManager Administration Go

Cisco Unified CallManager Administration For Cisco IP Telecommunication Solutions Logged in as:CCAdministrator

System Call Routing Media Resources Voice Mail Device Application User Management Bulk Administration Help Log Off

Calling Search Space Configuration Related Links: Back To Find/List Go

Status
Status: Ready

Calling Search Space Information
Name* PathReplacementCSS
Description

Route Partitions for this Calling Search Space

Available Partitions

Selected Partitions (Ordered by highest priority)
Incoming Trunk phones

Save Delete Copy Add New

*- indicates required item.



Enbloc Route Pattern Configuration

Route Pattern Configuration - Microsoft Internet Explorer

File Edit View Favorites Tools Help

Address <https://172.20.8.254:8443/ccmadmin/routePattern2Edit.do?key=7cf2df65-183d-2f34-c6ca-94612a0195ea>

Navigation Cisco Unified CallManager Administration

Cisco Unified CallManager Administration For Cisco IP Telecommunication Solutions Logged in as: CCMAdministrator

System Call Routing Media Resources Voice Mail Device Application User Management Bulk Administration Help

Route Pattern Configuration Related Links: [Back To Find/List](#)

Status
Status: Ready

Pattern Definition

Route Pattern*

Route Partition

Description

Numbering Plan

Route Filter

MLPP Precedence*

Gateway/Route List*

Route Option
 Route this pattern
 Block this pattern

Call Classification*

Allow Device Override Provide Outside Dial Tone Allow Overlap Sending Urgent Priority

Require Forced Authorization Code

Authorization Level*

Require Client Matter Code

Calling Party Transformations

Use Calling Party's External Phone Number Mask

Calling Party Transform Mask

Prefix Digits (Outgoing Calls)

Calling Line ID Presentation*

Calling Name Presentation*

Connected Party Transformations

Connected Line ID Presentation*

Connected Name Presentation*

Called Party Transformations

Discard Digits

Called Party Transform Mask

Prefix Digits (Outgoing Calls)

ISDN Network-Specific Facilities Information Element

Network Service Protocol

Carrier Identification Code

Network Service	Service Parameter Name	Service Parameter Value
<input type="text" value="-- Not Selected --"/>	<input type="text" value="< Not Exist >"/>	<input type="text"/>

***** - indicates required item.



Route Pattern Configuration - Microsoft Internet Explorer

File Edit View Favorites Tools Help

Back Forward Stop Refresh Home Search Favorites Media Print Mail Print Mail Print Mail

Address <https://172.20.8.254:8443/ccadmin/routePattern2Edit.do?key=a75e84e3-a8d8-a7fb-af61-593e5078dc48>

Navigation Cisco Unified CallManager Administration Go

Cisco Unified CallManager Administration For Cisco IP Telecommunication Solutions Logged in as: CCMAdministrator

System Call Routing Media Resources Voice Mail Device Application User Management Bulk Administration Help Log Off

Route Pattern Configuration Related Links: Back To Find/List Go

Status
Status: Ready

Pattern Definition

Route Pattern* 777XXXX

Route Partition < None >

Description CM-CHIVAS to Ericsson 1 PR

Numbering Plan -- Not Selected --

Route Filter < None >

MLPP Precedence* Default

Gateway/Route List* S3/SU0/DS1-0@tony_3845 (Edit) Find

Route Option
 Route this pattern
 Block this pattern No Error

Call Classification* OnNet

Allow Device Override Provide Outside Dial Tone Allow Overlap Sending Urgent Priority

Require Forced Authorization Code

Authorization Level* 0

Require Client Matter Code

Calling Party Transformations

Use Calling Party's External Phone Number Mask

Calling Party Transform Mask

Prefix Digits (Outgoing Calls)

Calling Line ID Presentation* Default

Calling Name Presentation* Default

Connected Party Transformations

Connected Line ID Presentation* Default

Connected Name Presentation* Default

Called Party Transformations

Discard Digits < None >

Called Party Transform Mask

Prefix Digits (Outgoing Calls)

ISDN Network-Specific Facilities Information Element

Network Service Protocol -- Not Selected --

Carrier Identification Code

Network Service	Service Parameter Name	Service Parameter Value
-- Not Selected --	< Not Exist >	

Save Delete Copy Add New

*- indicates required item.



Route Pattern Configuration - Microsoft Internet Explorer

File Edit View Favorites Tools Help

Back Forward Stop Home Search Favorites Media

Address <https://172.20.8.254:8443/ccadmin/routePattern2Edit.do?key=e717fab-03c7-8a76-57d2-1eb6d8a64ffe>

Cisco Unified CallManager Administration For Cisco IP Telecommunication Solutions Logged in as: CCAdministrator

System Call Routing Media Resources Voice Mail Device Application User Management Bulk Administration Help Log Off

Route Pattern Configuration Related Links: Back To Find/List Go

Status
Status: Ready

Pattern Definition

Route Pattern* 42XX

Route Partition < None >

Description

Numbering Plan -- Not Selected --

Route Filter < None >

MLPP Precedence* Default

Gateway/Route List* S3/SU0/DS1-1@tony_3845 (Edit) Find

Route Option
 Route this pattern
 Block this pattern No Error

Call Classification* OnNet

Allow Device Override Provide Outside Dial Tone Allow Overlap Sending Urgent Priority
 Require Forced Authorization Code

Authorization Level* 0

Require Client Matter Code

Calling Party Transformations

Use Calling Party's External Phone Number Mask

Calling Party Transform Mask 551XXXX

Prefix Digits (Outgoing Calls)

Calling Line ID Presentation* Default

Calling Name Presentation* Default

Connected Party Transformations

Connected Line ID Presentation* Default

Connected Name Presentation* Default

Called Party Transformations

Discard Digits < None >

Called Party Transform Mask

Prefix Digits (Outgoing Calls)

ISDN Network-Specific Facilities Information Element

Network Service Protocol -- Not Selected --

Carrier Identification Code

Network Service	Service Parameter Name	Service Parameter Value
-- Not Selected --	< Not Exist >	

Save Delete Copy Add New



Route Pattern Configuration - Microsoft Internet Explorer

File Edit View Favorites Tools Help

Back Forward Stop Refresh Home Search Favorites Media

Address <https://172.20.8.254:8443/cmadmin/routePattern2Edit.do?key=b87c2d33-26db-89f1-f565-0fb7014755b5>

Cisco Unified CallManager Administration For Cisco IP Telecommunication Solutions Logged in as:CCMAdministrator

System Call Routing Media Resources Voice Mail Device Application User Management Bulk Administration Help Log Off

Route Pattern Configuration Related Links: Back To Find/List Go

Status
Status: Ready

Pattern Definition

Route Pattern* 666XXXX

Route Partition < None >

Description

Numbering Plan -- Not Selected --

Route Filter < None >

MLPP Precedence* Default

Gateway/Route List* S3/SU0/DS1-1@tony_3845 (Edit) Find

Route Option
 Route this pattern
 Block this pattern No Error

Call Classification* OnNet

Allow Device Override Provide Outside Dial Tone Allow Overlap Sending Urgent Priority

Require Forced Authorization Code

Authorization Level* 0

Require Client Matter Code

Calling Party Transformations

Use Calling Party's External Phone Number Mask

Calling Party Transform Mask 551XXXX

Prefix Digits (Outgoing Calls)

Calling Line ID Presentation* Default

Calling Name Presentation* Default

Connected Party Transformations

Connected Line ID Presentation* Default

Connected Name Presentation* Default

Called Party Transformations

Discard Digits < None >

Called Party Transform Mask

Prefix Digits (Outgoing Calls)

ISDN Network-Specific Facilities Information Element

Network Service Protocol -- Not Selected --

Carrier Identification Code

Network Service	Service Parameter Name	Service Parameter Value
-- Not Selected --	< Not Exist >	

Save Delete Copy Add New



Overlap Sending Route Pattern

Route Pattern Configuration - Microsoft Internet Explorer

File Edit View Favorites Tools Help

Back Forward Stop Home Search Favorites Media

Address <https://172.20.8.254:8443/ccmadmin/routePattern2Edit.do?key=6b39564d-6d56-a9cb-15a1-9334ca592382>

Cisco Unified CallManager Administration For Cisco IP Telecommunication Solutions Logged in as: CCMAdministrator

System Call Routing Media Resources Voice Mail Device Application User Management Bulk Administration Help Log Off

Route Pattern Configuration Related Links: [Back To Find/List](#) Go

Status
Status: Ready

Pattern Definition

Route Pattern*
Route Partition
Description
Numbering Plan
Route Filter
MLPP Precedence*
Gateway/Route List* (Edit) Find
Route Option
 Route this pattern
 Block this pattern
Call Classification*
 Allow Device Override Provide Outside Dial Tone Allow Overlap Sending Urgent Priority
 Require Forced Authorization Code
Authorization Level*
 Require Client Matter Code

Calling Party Transformations

Use Calling Party's External Phone Number Mask
Calling Party Transform Mask
Prefix Digits (Outgoing Calls)
Calling Line ID Presentation*
Calling Name Presentation*

Connected Party Transformations

Connected Line ID Presentation*
Connected Name Presentation*

Called Party Transformations

Discard Digits
Called Party Transform Mask
Prefix Digits (Outgoing Calls)

ISDN Network-Specific Facilities Information Element

Network Service Protocol
Carrier Identification Code
Network Service Service Parameter Name Service Parameter Value

Save Delete Copy Add New



PSTN Route Pattern Configuration

Route Pattern Configuration - Microsoft Internet Explorer

File Edit View Favorites Tools Help

Address <https://172.20.8.254:8443/cmadmin/routePattern2Edit.do?key=0b720645-56b2-5016-70c8-83902c546cb0>

Cisco Unified CallManager Administration For Cisco IP Telecommunication Solutions Logged in as:CCAdministrator

System Call Routing Media Resources Voice Mail Device Application User Management Bulk Administration Help Log Off

Route Pattern Configuration Related Links: [Back To Find/List](#) [Go](#)

Status
Status: Ready

Pattern Definition

Route Pattern*

Route Partition

Description

Numbering Plan

Route Filter

MLPP Precedence*

Gateway/Route List* (Edit) Find

Route Option
 Route this pattern
 Block this pattern

Call Classification*

Allow Device Override Provide Outside Dial Tone Allow Overlap Sending Urgent Priority
 Require Forced Authorization Code

Authorization Level*

Require Client Matter Code

Calling Party Transformations

Use Calling Party's External Phone Number Mask

Calling Party Transform Mask

Prefix Digits (Outgoing Calls)

Calling Line ID Presentation*

Calling Name Presentation*

Connected Party Transformations

Connected Line ID Presentation*

Connected Name Presentation*

Called Party Transformations

Discard Digits

Called Party Transform Mask

Prefix Digits (Outgoing Calls)

ISDN Network-Specific Facilities Information Element

Network Service Protocol

Carrier Identification Code

Network Service	Service Parameter Name	Service Parameter Value
<input type="text" value=" -- Not Selected --"/>	<input type="text" value=" < Not Exist >"/>	<input type="text"/>



Translation Pattern for Incoming Calls

Translation Pattern Configuration - Microsoft Internet Explorer

File Edit View Favorites Tools Help

Back Forward Stop Refresh Home Search Favorites Media

Address <https://172.20.8.254:8443/ccmadmin/translationEdit.do?key=ec898e0f-cf88-adcd-f67a-cd976de7a12c>

Navigation Cisco Unified CallManager Administration Go

Cisco Unified CallManager Administration For Cisco IP Telecommunication Solutions Logged in as:CCMAdministrator

System Call Routing Media Resources Voice Mail Device Application User Management Bulk Administration Help Log Off

Translation Pattern Configuration

Related Links: Back To Find/List Go

Status
Status: Ready

Pattern Definition

Translation Pattern: 30XX

Partition: Incoming Trunk

Description:

Numbering Plan: < None >

Route Filter: < None >

MLPP Precedence*: Default

Calling Search Space: phones

Route Option:
 Route this pattern
 Block this pattern No Error

Provide Outside Dial Tone Urgent Priority

Calling Party Transformations

Use Calling Party's External Phone Number Mask

Calling Party Transform Mask:

Prefix Digits (Outgoing Calls):

Calling Line ID Presentation*: Default

Calling Name Presentation*: Default

Connected Party Transformations

Connected Line ID Presentation*: Default

Connected Name Presentation*: Default

Called Party Transformations

Discard Digits: < None >

Called Party Transform Mask:

Prefix Digits (Outgoing Calls):

Save Delete Copy Add New

*- indicates required item.



CLIR Route Pattern Configuration

Route Pattern Configuration - Microsoft Internet Explorer

File Edit View Favorites Tools Help

Back Forward Stop Home Search Favorites Media

Address <https://172.20.8.254:8443/ccadmin/routePattern2Edit.do?key=7cf2df65-183d-2f34-c6ca-94612a0195ea>

Cisco Unified CallManager Administration For Cisco IP Telecommunication Solutions Logged in as: CCMAdministrator

System Call Routing Media Resources Voice Mail Device Application User Management Bulk Administration Help Log Off

Route Pattern Configuration Related Links: [Back To Find/List](#) Go

Status
Status: Ready

Pattern Definition

Route Pattern*
Route Partition
Description
Numbering Plan
Route Filter
MLPP Precedence*
Gateway/Route List* (Edit) Find
Route Option
 Route this pattern
 Block this pattern
Call Classification*
 Allow Device Override Provide Outside Dial Tone Allow Overlap Sending Urgent Priority
 Require Forced Authorization Code
Authorization Level*
 Require Client Matter Code

Calling Party Transformations

Use Calling Party's External Phone Number Mask
Calling Party Transform Mask
Prefix Digits (Outgoing Calls)
Calling Line ID Presentation*
Calling Name Presentation*

Connected Party Transformations

Connected Line ID Presentation*
Connected Name Presentation*

Called Party Transformations

Discard Digits
Called Party Transform Mask
Prefix Digits (Outgoing Calls)

ISDN Network-Specific Facilities Information Element

Network Service Protocol
Carrier Identification Code
Network Service Service Parameter Name Service Parameter Value

Save Delete Copy Add New



CNIR Route Pattern Configuration

Route Pattern Configuration - Microsoft Internet Explorer

File Edit View Favorites Tools Help

Back Forward Stop Home Search Favorites Media

Address <https://172.20.8.254:8443/ccadmin/routePattern2Edit.do?key=7cf2df65-183d-2f34-c6ca-94612a0195ea>

Cisco Unified CallManager Administration For Cisco IP Telecommunication Solutions Logged in as: CCMAdministrator

System Call Routing Media Resources Voice Mail Device Application User Management Bulk Administration Help Log Off

Route Pattern Configuration Related Links: [Back To Find/List](#) Go

Status
Status: Ready

Pattern Definition

Route Pattern* 11XX

Route Partition < None >

Description

Numbering Plan -- Not Selected --

Route Filter < None >

MLPP Precedence* Default

Gateway/Route List* S3/SU0/DS1-0@tony_3845 (Edit) Find

Route Option
 Route this pattern
 Block this pattern No Error

Call Classification* OnNet

Allow Device Override Provide Outside Dial Tone Allow Overlap Sending Urgent Priority

Require Forced Authorization Code

Authorization Level* 0

Require Client Matter Code

Calling Party Transformations

Use Calling Party's External Phone Number Mask

Calling Party Transform Mask

Prefix Digits (Outgoing Calls)

Calling Line ID Presentation* Default

Calling Name Presentation* Restricted

Connected Party Transformations

Connected Line ID Presentation* Default

Connected Name Presentation* Default

Called Party Transformations

Discard Digits < None >

Called Party Transform Mask

Prefix Digits (Outgoing Calls)

ISDN Network-Specific Facilities Information Element

Network Service Protocol -- Not Selected --

Carrier Identification Code

Network Service	Service Parameter Name	Service Parameter Value
-- Not Selected --	< Not Exist >	

Save Delete Copy Add New



COLR Translation Pattern Configuration

Translation Pattern Configuration - Microsoft Internet Explorer

File Edit View Favorites Tools Help

Back Forward Stop Home Search Favorites Media Print Mail

Address <https://172.20.8.254:8443/cmadmin/translationEdit.do?key=ec898e0f-cf88-adcd-f67a-cd976de7a12c>

Navigation Cisco Unified CallManager Administration Go

Cisco Unified CallManager Administration For Cisco IP Telecommunication Solutions Logged in as:CCMAdministrator

System Call Routing Media Resources Voice Mail Device Application User Management Bulk Administration Help Log Off

Translation Pattern Configuration Related Links: Back To Find/List Go

Status
Status: Ready

Pattern Definition

Translation Pattern

Partition

Description

Numbering Plan

Route Filter

MLPP Precedence*

Calling Search Space

Route Option
 Route this pattern
 Block this pattern

Provide Outside Dial Tone Urgent Priority

Calling Party Transformations

Use Calling Party's External Phone Number Mask

Calling Party Transform Mask

Prefix Digits (Outgoing Calls)

Calling Line ID Presentation*

Calling Name Presentation*

Connected Party Transformations

Connected Line ID Presentation*

Connected Name Presentation*

Called Party Transformations

Discard Digits

Called Party Transform Mask

Prefix Digits (Outgoing Calls)



CONR Route Pattern Configuration

Translation Pattern Configuration - Microsoft Internet Explorer

File Edit View Favorites Tools Help

Back Forward Stop Home Search Favorites Media Refresh Print

Address <https://172.20.8.254:8443/ccadmin/translationEdit.do?key=ec898e0f-cf88-adcd-f67a-cd976de7a12c>

Navigation Cisco Unified CallManager Administration Go

Cisco Unified CallManager Administration For Cisco IP Telecommunication Solutions Logged in as: CCMAdministrator

System Call Routing Media Resources Voice Mail Device Application User Management Bulk Administration Help Log Off

Translation Pattern Configuration Related Links: Back To Find/List Go

Status
Status: Ready

Pattern Definition

Translation Pattern: 30XX

Partition: Incoming Trunk

Description:

Numbering Plan: < None >

Route Filter: < None >

MLPP Precedence*: Default

Calling Search Space: phones

Route Option:
 Route this pattern
 Block this pattern No Error

Provide Outside Dial Tone Urgent Priority

Calling Party Transformations

Use Calling Party's External Phone Number Mask

Calling Party Transform Mask:

Prefix Digits (Outgoing Calls):

Calling Line ID Presentation*: Default

Calling Name Presentation*: Default

Connected Party Transformations

Connected Line ID Presentation*: Default

Connected Name Presentation*: Restricted

Called Party Transformations

Discard Digits: < None >

Called Party Transform Mask:

Prefix Digits (Outgoing Calls):

Save Delete Copy Add New

*- indicates required item.

MWI lamp On/Off Configuration

Note: Not Applicable. Standard QSIG SS-MWI is not supported on Ericsson MD110 BC12 SP5



CallBack Service Parameters

Note: Not Applicable. Standard QSIG Call Completion (CallBack) is not supported on Ericsson MD110 BC12 SP5 when set to ECMA QSIG variant.

Path Replacement Service Parameter

Note: Not Applicable. Standard QSIG ANF Path Replacement is not supported on Ericsson MD110 BC12 SP5 when set to ECMA QSIG variant.

Forward by Reroute Service Parameter

Note: Not Applicable. Standard QSIG Call Forward by ReRoute is not supported on Ericsson MD110 BC12 SP5 when set to ECMA QSIG variant.



IP Phone Configuration

Phone Configuration - Microsoft Internet Explorer

File Edit View Favorites Tools Help

Back Forward Stop Home Search Favorites Media

Address: https://172.20.8.254:8443/ccmadmin/phoneEdit.do?key=afc5d87c-1a71-4183-8712-0e80a5efa070

Navigation Cisco Unified CallManager Administration Go

Cisco Unified CallManager Administration For Cisco IP Telecommunication Solutions Logged in as: CCMAdministrator

System Call Routing Media Resources Voice Mail Device Application User Management Bulk Administration Help Log Off

Phone Configuration Related Links: Back To Find/List Go

Status
Status: Ready

Association Information
Modify Button Items

- Line [1] - 3000 in phones
- Add a new SD
- Unassigned Associated Items -----
- Line [2] - Add a new DN
- Add a new SD
- Add a new SURL
- Add a new BLF SD
- Privacy
- None

Phone Type
Product Type: Cisco 7940
Device Protocol: SCCP

Device Information

Registration	Registered with Cisco Unified CallManager CM-CHIVAS
IP Address	172.20.8.11
MAC Address*	000C303B28F4
Description	Auto 3000
Device Pool*	Default
Phone Button Template*	Standard 7940 SCCP
Softkey Template	Standard User CallBack
Common Phone Profile*	Standard Common Phone Profile
Calling Search Space	< None >
AAR Calling Search Space	< None >
Media Resource Group List	< None >
User Hold Audio Source	< None >
Network Hold Audio Source	< None >
Location*	Hub_None
User Locale	< None >
Network Locale	< None >
Built In Bridge*	Default
Privacy*	Default
Owner User ID	< None >
Phone Load Name	

Retry Video Call as Audio
 Ignore Presentation Indicators (internal calls only)
 Allow Control of Device from CTI



Protocol Specific Information

Packet Capture Mode*	None
Packet Capture Duration	0
Presence Group*	Standard Presence group
SCCP Phone Security Profile*	Standard SCCP Profile for Auto Registration
SUBSCRIBE Calling Search Space	< None >
<input type="checkbox"/> Unattended Port	
<input type="checkbox"/> Require DTMF Reception	
<input type="checkbox"/> RFC2833 Disabled	

External Data Locations Information (Leave blank to use default)

Information	
Directory	
Messages	
Services	
Authentication Server	
Proxy Server	
Idle	
Idle Timer (seconds)	

Extension Information

<input type="checkbox"/> Enable Extension Mobility	
Log Out Profile	-- Not Selected --
Login in User ID	< None >
Log in Time	< None >
Log out Time	< None >



Certification Authority Proxy Function (CAPF) Information

Certificate Operation*	No Pending Operation
Authentication String	<input type="text"/>
<input type="button" value="Generate String"/>	
Operation Completes By	2006 : 5 : 13 : 12 (YYYY:MM:DD:HH)
Certificate Operation Status:	None

MLPP Information

MLPP Domain	< None >
MLPP Indication*	Default
MLPP Preemption*	Default

Secure Shell Information

Secure Shell User	<input type="text"/>
Secure Shell Password	<input type="text"/>

Product Specific Configuration Layout

	
<input type="checkbox"/> Disable Speakerphone	
<input type="checkbox"/> Disable Speakerphone and Headset	
PC Port *	Enabled
Settings Access*	Enabled
Gratuitous ARP*	Enabled
PC Voice VLAN Access*	Enabled
Video Capabilities*	Disabled
Auto Line Select*	Disabled
Web Access*	Enabled



*- indicates required item.



** - Device reset is not required for changes to Packet Capture Mode and Packet Capture Duration.



Directory Number Configuration - Microsoft Internet Explorer

Address: https://172.20.8.254:8443/ccmadmin/directoryNumberEdit.do?key=1d9c88cf-549e-d47b-199d-6a7f3ea1b424&mapkey=3da3f835-cadc-8ad4-b339-dabdf8a9a605&devicekey=af5d87c-1a71-4183-8712-0e80a5efa070&index=1

Cisco Unified CallManager Administration For Cisco IP Telecommunication Solutions
Logged in as: CCMAdmin

System > Call Routing > Media Resources > Voice Mail > Device > Application > User Management > Bulk Administration > Help

Directory Number Configuration Related Links: [Back To Find/List](#)

Status
Status: Ready
Note: Changes to Line or Directory Number settings require restart.

Directory Number Information

Directory Number*	3000
Route Partition	phones
Description	
Alerting Name	Bofo Bautista
ASCII Alerting Name	Bofo Bautista

Allow Control of Device from CTI

Associated Devices

SEP000C303B28F4	Edit Device
-----------------	-----------------------------

▼ ▲

Dissociate Devices

Directory Number Settings

Voice Mail Profile	< None >	(Choose <None> to use system default)
Calling Search Space	phones	
Presence Group*	Standard Presence group	
AAR Group	< None >	
User Hold Audio Source	< None >	
Network Hold Audio Source	< None >	
Auto Answer*	Auto Answer Off	



Call Forward and Call Pickup Settings

	Voice Mail Destination	Calling Search Space
Forward All	<input type="checkbox"/> or	phones
Secondary Calling Search Space for Forward All		< None >
Forward Busy Internal	<input type="checkbox"/> or	phones
Forward Busy External	<input type="checkbox"/> or	phones
Forward No Answer Internal	<input type="checkbox"/> or	phones
Forward No Answer External	<input type="checkbox"/> or	phones
Forward No Coverage Internal	<input type="checkbox"/> or	< None >
Forward No Coverage External	<input type="checkbox"/> or	< None >
Forward on CTI Failure	<input type="checkbox"/> or	< None >
No Answer Ring Duration (seconds)	<input type="text"/>	
Call Pickup Group	< None >	

MLPP Alternate Party Settings

Target (Destination)

MLPP Calling Search Space < None >

MLPP No Answer Ring Duration (seconds)

Line 1 on Device SEP000C303B28F4

Display (Internal Caller ID) Display text for a line appearance is intended for displaying text such as a name instead of a directory number for internal calls. If you specify a number, the person receiving a call may not see the proper identity of the caller.

ASCII Display (Internal Caller ID)

Line Text Label

ASCII Line Text Label

External Phone Number Mask

Message Waiting Lamp Policy* Use System Policy

Ring Setting (Phone Idle)* Use System Default

Ring Setting (Phone Active)* Use System Default Applies to this line when any line on the phone has a call in progress.

Multiple Call/Call Waiting Settings on Device SEP000C303B28F4

Note: The range to select the Max Number of calls is: 1-200

Maximum Number of Calls*

Busy Trigger* (Less than or equal to Max. Calls)

Forwarded Call Information Display on Device SEP000C303B28F4

Caller Name

Caller Number

Redirected Number

Dialed Number

i *- indicates required item.



Cisco 3845 w/ VWIC-2MFT-E1 Configuration

```
Router_3845#sh ver
Cisco IOS Software, 3800 Software (C3845-ENTSERVICESK9-M), Version 12.3(14)T6,
RELEASE SOFTWARE (fc2)
Technical Support: http://www.cisco.com/techsupport
Copyright (c) 1986-2006 by Cisco Systems, Inc.
Compiled Thu 05-Jan-06 02:57 by dchih
```

ROM: System Bootstrap, Version 12.3(11r)T2, RELEASE SOFTWARE (fc1)

```
Router_3845 uptime is 2 hours, 21 minutes
System returned to ROM by reload at 18:34:34 UTC Thu May 4 2006
System image file is "flash:c3845-entservicesk9-mz.123-14.T6.bin"
```

This product contains cryptographic features and is subject to United States and local country laws governing import, export, transfer and use. Delivery of Cisco cryptographic products does not imply third-party authority to import, export, distribute or use encryption. Importers, exporters, distributors and users are responsible for compliance with U.S. and local country laws. By using this product you agree to comply with applicable laws and regulations. If you are unable to comply with U.S. and local laws, return this product immediately.

A summary of U.S. laws governing Cisco cryptographic products may be found at: <http://www.cisco.com/wwl/export/crypto/tool/stqrg.html>

If you require further assistance please contact us by sending email to export@cisco.com.

```
Cisco 3845 (revision 1.0) with 486400K/37888K bytes of memory.
Processor board ID FTX0933A1JA
2 Gigabit Ethernet interfaces
62 Serial interfaces
2 Channelized E1/PRI ports
2 Channelized T1/PRI ports
DRAM configuration is 64 bits wide with parity enabled.
479K bytes of NVRAM.
125184K bytes of ATA System CompactFlash (Read/Write)
```

Configuration register is 0x2102

```
Router_3845#sh run
Building configuration...
```

```
Current configuration : 3246 bytes
!
version 12.3
service timestamps debug datetime msec
service timestamps log datetime msec
no service password-encryption
!
hostname Router_3845
!
boot-start-marker
boot system flash:c3845-entservicesk9-mz.123-14.T6.bin
boot-end-marker
!
```



```
logging buffered 100000000 debugging
enable password cisco
!
no aaa new-model
!
resource policy
!
no network-clock-participate slot 3
no network-clock-participate wic 0
voice-card 0
no dspfarm
!
voice-card 3
dspfarm
!
ip subnet-zero
ip cef
!
!
no ip dhcp use vrf connected
!
!
no ip domain lookup
ip host CM-BARZA 172.20.110.254
ip host CM-CHIVAS 172.20.8.254
no ftp-server write-enable
isdn switch-type primary-4ess
!
!
!
controller T1 0/0/0
framing esf
linecode b8zs
!
controller T1 0/0/1
framing esf
linecode b8zs
!
controller E1 3/0/0
pri-group timeslots 1-31 service mgcp
!
controller E1 3/0/1
pri-group timeslots 1-31 service mgcp
!
!
!
interface GigabitEthernet0/0
ip address 172.20.8.26 255.255.255.0
duplex auto
speed auto
media-type rj45
negotiation auto
!
interface GigabitEthernet0/1
no ip address
shutdown
duplex auto
speed auto
media-type rj45
```



```
negotiation auto
!
interface Serial3/0/0:15
no ip address
isdn switch-type primary-qsig
isdn protocol-emulate network
isdn incoming-voice voice
isdn T310 120000
isdn bind-13 ccm-manager
no cdp enable
!
interface Serial3/0/1:15
no ip address
isdn switch-type primary-qsig
isdn incoming-voice voice
isdn bind-13 ccm-manager
no cdp enable
!
ip default-gateway 172.20.8.1
ip classless
ip route 0.0.0.0 0.0.0.0 172.20.8.1
!
!
ip http server
no ip http secure-server
!
!
!
control-plane
!
!
!
voice-port 3/0/0:15
!
voice-port 3/0/1:15
!
ccm-manager mgcp
ccm-manager music-on-hold
ccm-manager config server CM-CHIVAS
ccm-manager config
!
mgcp
mgcp call-agent CM-CHIVAS 2427 service-type mgcp version 0.1
mgcp dtmf-relay voip codec all mode out-of-band
mgcp rtp unreachable timeout 1000 action notify
mgcp modem passthrough voip mode nse
mgcp package-capability rtp-package
no mgcp package-capability res-package
mgcp package-capability sst-package
no mgcp package-capability fxr-package
mgcp package-capability pre-package
no mgcp timer receive-rtcp
mgcp sdp simple
mgcp fax t38 inhibit
mgcp rtp payload-type g726r16 static
!
mgcp profile default
!
```



```
!  
!  
!  
line con 0  
password cisco  
stopbits 1  
line aux 0  
stopbits 1  
line vty 0 4  
password cisco  
login  
!  
scheduler allocate 20000 1000  
!  
end
```

Router_3845#

Acronyms

Acronym	Definitions
ANF-PR	Additional Network Feature Path Replacement
AOC Advice-of-charge	Information element is sent with the connection setup information for incoming Euro-ISDN connections. The AOC IE is used for call charge calculation
CCM	Cisco Unified Call Manager
CCBS	Call Completion to Busy Subscriber
CCNR	Call Completion on No Reply
CFB	Call Forwarding on Busy
CFNR	Call Forwarding No Reply
CFU	Call Forwarding Unconditional
CLIP	Calling Line (Number) Identification Presentation
CLIR	Calling Line (Number) Identification Restriction
CNIP	Calling Name Identification Presentation
CNIR	Calling Name Identification Restriction
COLP	Connected Line (Number) Identification Presentation
COLR	Connected Line (Number) Identification Restriction
CONP	Connected Name Identification Presentation
CONR	Connected Name Identification Restriction
CT	Call Transfer
MWI	Message Waiting Indicator



Important Information

THE SPECIFICATIONS AND INFORMATION REGARDING THE PRODUCTS IN THIS MANUAL ARE SUBJECT TO CHANGE WITHOUT NOTICE. ALL STATEMENTS, INFORMATION, AND RECOMMENDATIONS IN THIS MANUAL ARE BELIEVED TO BE ACCURATE BUT ARE PRESENTED WITHOUT WARRANTY OF ANY KIND, EXPRESS OR IMPLIED. USERS MUST TAKE FULL RESPONSIBILITY FOR THEIR APPLICATION OF ANY PRODUCTS.

IN NO EVENT SHALL CISCO OR ITS SUPPLIERS BE LIABLE FOR ANY INDIRECT, SPECIAL, CONSEQUENTIAL, OR INCIDENTAL DAMAGES, INCLUDING, WITHOUT LIMITATION, LOST PROFITS OR LOSS OR DAMAGE TO DATA ARISING OUT OF THE USE OR INABILITY TO USE THIS MANUAL, EVEN IF CISCO OR ITS SUPPLIERS HAVE BEEN ADVISED OF THE POSSIBILITY OF SUCH DAMAGES.



Corporate Headquarters

Cisco Systems, Inc.
170 West Tasman Drive
San Jose, CA 95134-1706
USA
www.cisco.com
Tel: 408 526-4000
800 553-NETS (6387)
Fax: 408 526-4100

European Headquarters

Cisco Systems International
BV
Haarlerbergpark
Haarlerbergweg 13-19
1101 CH Amsterdam
The Netherlands
www-europe.cisco.com
Tel: 31 0 20 357 1000
Fax: 31 0 20 357 1100

Americas Headquarters

Cisco Systems, Inc.
170 West Tasman Drive
San Jose, CA 95134-1706
USA
www.cisco.com
Tel: 408 526-7660
Fax: 408 527-0883

Asia Pacific Headquarters

Cisco Systems, Inc.
Capital Tower
168 Robinson Road
#22-01 to #29-01
Singapore 068912
www.cisco.com
Tel: +65 317 7777
Fax: +65 317 7799

Cisco Systems has more than 200 offices in the following countries and regions. Addresses, phone numbers, and fax numbers are listed on the Cisco Web site at www.cisco.com/go/offices.

Argentina • Australia • Austria • Belgium • Brazil • Bulgaria • Canada • Chile • China PRC • Colombia • Costa Rica • Croatia • Czech Republic • Denmark • Dubai, UAE • Finland • France • Germany • Greece • Hong Kong SAR • Hungary • India • Indonesia • Ireland • Israel • Italy • Japan • Korea • Luxembourg • Malaysia • Mexico • The Netherlands • New Zealand • Norway • Peru • Philippines • Poland • Portugal • Puerto Rico • Romania • Russia • Saudi Arabia • Scotland • Singapore • Slovakia • Slovenia • South Africa • Spain • Sweden • Switzerland • Taiwan • Thailand • Turkey • Ukraine • United Kingdom • United States • Venezuela • Vietnam • Zimbabwe

© 2006 Cisco Systems, Inc. All rights reserved.

CCVP, the Cisco Logo, and the Cisco Square Bridge logo are trademarks of Cisco Systems, Inc.; Changing the Way We Work, Live, Play, and Learn is a service mark of Cisco Systems, Inc.; and Access Registrar, Aironet, BPX, Catalyst, CCDA, CCDP, CCIE, CCIP, CCNA, CCNP, CCSP, Cisco, the Cisco Certified Internetwork Expert logo, Cisco IOS, Cisco Press, Cisco Systems, Cisco Systems Capital, the Cisco Systems logo, Cisco Unity, Enterprise/Solver, EtherChannel, EtherFast, EtherSwitch, Fast Step, Follow Me Browsing, FormShare, GigaDrive, GigaStack, HomeLink, Internet Quotient, IOS, IP/TV, iQ Expertise, the iQ logo, iQ Net Readiness Scorecard, iQuick Study, LightStream, Linksys, MeetingPlace, MGX, Networking Academy, Network Registrar, Packet, PIX, ProConnect, RateMUX, ScriptShare, SlideCast, SMARTnet, StackWise, The Fastest Way to Increase Your Internet Quotient, and TransPath are registered trademarks of Cisco Systems, Inc. and/or its affiliates in the United States and certain other countries.

All other trademarks mentioned in this document or Website are the property of their respective owners. The use of the word partner does not imply a partnership relationship between Cisco and any other company. (0609R)

Printed in the USA