

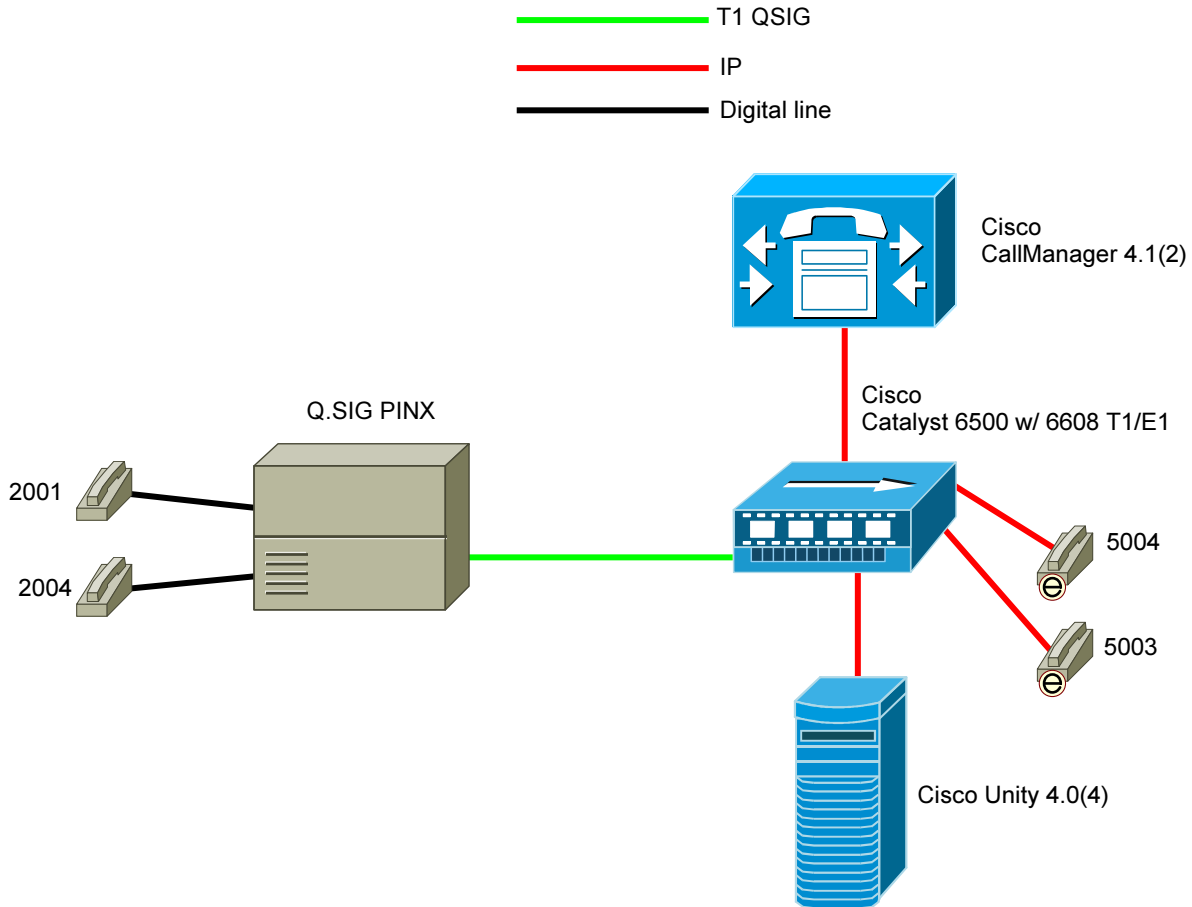
# Cisco CallManager 4.1-Voicemail Interoperability: Cisco Unity 4.0(4) with Cisco CallManager 4.1(2) Configured as Message Center PINX using Cisco Catalyst 6608 T1 Q.SIG with MGCP

## Introduction

- This Application Note uses the Cisco Catalyst 6608 T1/E1 voice gateway; however other Cisco voice gateways are also an option to use since Cisco CallManager QSIG implementation does not depend on the physical interface. Centralized voicemail services rely heavily on the inter-PBX protocol used to connect remote PBXs to the “Message Center” PBX. In the scenario represented/tested by this document, QSIG protocol and the Additional Network Features (ANF) supported by each vendor’s PBX will determine the actual features supported by this solution.
- This document contains lab performance criteria that describes the interoperability of Cisco CallManager Release 4.1(2) when used as a Message Center PINX in a QSIG private network with a Centralized Cisco Unity voicemail server using SCCP integration.
- The network topology diagram (Figure 1) shows the test setup for end-to-end interoperability with the Cisco CallManager connected to a remote PINX via Catalyst 6608 T1/E1 blade port used as MGCP gateways configured as T1 ISO QSIG trunk, and a Cisco Unity used as a Centralized voicemail system using SCCP integration to the Message Center Cisco CallManager.

## Network Topology

Figure 1. Test End-to-End Topology



### Limitations

There are no known limitations with this feature.

### System Components

#### Hardware Requirements

- Cisco Catalyst 6500 switch with Cisco 6608 T1/E1 blades
- Cisco CallManager 4.1(2) MCS server

#### Cisco Unity 4.0(4) MCS server Software Requirements

- Cisco CallManager Release 4.1(2)
- Cisco Unity 4.0(4)



## Features

The following features are supported:

- Station forward to personal greeting (busy/ring no answer/all calls)
- Reply to messages left in telephone answering mode
- Direct call
- Message Waiting Indication
- Support of Message Waiting indication on remote PINX stations is dependent on whether the PBX software used on the remote PINX supports QSIG MWI. Please refer to PBX manufacturer's technical documentation for further information. Also, refer to Cisco Interoperability Application Notes, found in the Cisco Interoperability portal, located at the following URL:  
[www.cisco.com/go/interoperability](http://www.cisco.com/go/interoperability)

## Configuration

### Configuration Sequence and Tasks

**Note:** The configuration examples shown in this document is an example to typical settings only. Prior to configuring the “central” Definity G3 and Cisco CallManager, the following should be installed and tested for proper functionality:

- Cisco Unity - Test for proper functionality of Cisco Unity voicemail server for local Cisco CallManager users.
- Cisco CallManager – Test for proper Q.SIG features transparency between Cisco CallManager and remote PINX.

### Configuration Menus and Commands

#### Configuring Cisco CallManager for QSIG

1. Configure the QSIG-related system parameters
2. Configure the MGCP gateway
3. Configure the MWI Off/On directory numbers
4. Configure the Cisco Unity ports



For detailed information on how to configure MGCP gateways connecting to specific manufacturers' PBX, refer to the proper application notes located in the Cisco Interoperability website, found at the following URL:

[www.cisco.com/go/interoperability](http://www.cisco.com/go/interoperability)Configuring Cisco CallManager

### Configuring the Cisco Catalyst 6608 T1/E1 Voice Gateway

The following screen captures depict a typical configuration of a Cisco Catalyst 6608 T1 blade configured for QSIG functionality:

## Gateway Configuration

[Back to Find/List Gateways](#)  
[Dependency Records](#)

**Product : Cisco Catalyst 6000 T1 VoIP Gateway**  
**Gateway : S0/DS1-0@SDA0001C9D93A9B**  
**Device Protocol: Digital Access PRI**  
**Registration: Registered with Cisco CallManager 172.20.236.2**  
**IP Address: [172.20.236.16](#)**

Status: Ready

### Device Information

MAC Address*	<input type="text" value="0001C9D93A9B"/>
Description	<input type="text" value="Cat 6500 port 5/4"/>
Device Pool*	<input type="text" value="Default"/>
Call Classification*	<input type="text" value="OnNet"/>
Network Locale	<input type="text" value="United States"/>
Media Resource Group List	<input type="text" value="&lt; None &gt;"/>
Location	<input type="text" value="&lt; None &gt;"/>
AAR Group	<input type="text" value="&lt; None &gt;"/>
Load Information	<input type="text"/>

### Multilevel Precedence and Preemption (MLPP) Information



### Multilevel Precedence and Preemption (MLPP) Information

MLPP Domain (e.g., "0000FF")	<input type="text"/>
MLPP Indication	<input type="text" value="Off"/>
MLPP Preemption	<input type="text" value="Disabled"/>

### Interface Information

PRI Protocol Type*	<input type="text" value="PRI QSIG T1"/>
Protocol Side*	<input type="text" value="User"/>
Channel Selection Order*	<input type="text" value="Bottom Up"/>
Channel IE Type*	<input type="text" value="Use Number when 1B"/>
PCM Type*	<input type="text" value="μ-law"/>
Delay for first restart (1/8 sec ticks)	<input type="text" value="32"/>
Delay between restarts (1/8 sec ticks)	<input type="text" value="4"/>
<input checked="" type="checkbox"/> Inhibit restarts at PRI initialization	
<input type="checkbox"/> Enable status poll	



### Call Routing Information

#### Inbound Calls

Significant Digits*	<input type="text" value="All"/>
Calling Search Space	<input type="text" value=" &lt; None &gt;"/>
AAR Calling Search Space	<input type="text" value=" &lt; None &gt;"/>
Prefix DN	<input type="text"/>

#### Outbound Calls

Calling Line ID Presentation*	<input type="text" value="Allowed"/>
Calling Party Selection*	<input type="text" value="Originator"/>
Called party IE number type unknown*	<input type="text" value="Cisco CallManager"/>
Calling party IE number type unknown*	<input type="text" value="Cisco CallManager"/>
Called Numbering Plan*	<input type="text" value="Cisco CallManager"/>
Calling Numbering Plan*	<input type="text" value="Cisco CallManager"/>
Number of digits to strip*	<input type="text" value="0"/>
Caller ID DN	<input type="text"/>
SMDI Base Port*	<input type="text" value="0"/>



### PRI Protocol Type Specific Information

- Display IE Delivery
- Redirecting Number IE Delivery - Outbound
- Redirecting Number IE Delivery - Inbound
- Send Extra Leading Character In DisplayIE\*\*\*
- Setup non-ISDN Progress Indicator IE Enable\*\*\*\*
- MCDN Channel Number Extension Bit Set to Zero\*\*
- Send Calling Name In Facility IE
- Interface Identifier Present\*\*

Interface Identifier Value\*\*

Connected Line ID Presentation (QSIG Inbound Call)\*

### UUIE Configuration

- Passing Precedence Level Through UUIE

Security Access Level



### Product Specific Configuration



Clock Reference*	Network
TX-Level CSU*	0dB
FDL Channel*	ATT 54016
Framing*	ESF
Audio Signal Adjustment into IP Network*	NoDbPadding
Audio Signal Adjustment from IP Network*	NoDbPadding
Yellow Alarm*	Bit2
Zero Suppression*	B8ZS
Digit On Duration(50-500ms)*	100
Interdigit Duration(50-500msec)*	100
SNMP Community String	public
Disable SNMP Set operations*	<input type="checkbox"/>
Debug Port Enable*	<input checked="" type="checkbox"/>
Hold Tone Silence Duration*	0
Port Used for Voice Calls*	<input checked="" type="checkbox"/>
Port Used for Modem Calls*	<input checked="" type="checkbox"/>
Port Used for Fax Calls*	<input checked="" type="checkbox"/>





### Fax and Modem Parameters

Fax Relay Enable*	<input checked="" type="checkbox"/>
Fax Error Correction Mode Override*	<input checked="" type="checkbox"/>
Maximum Fax Rate*	14400bps
Fax Payload Size*	20
Non Standard Facilities Country Code*	65535
Non Standard Facilities Vendor Code*	65535
Fax/Modem Packet Redundancy*	<input type="checkbox"/>
NSE Type*	Non-IOS Gateways

### Playout Delay Parameters

Initial Playout Delay*	40
Minimum Playout Delay*	20
Maximum Playout Delay*	150

### Echo Canceller Configuration

Echo TailLength (ms)*	32 ms
Minimum ERL (db)*	6 db

\* indicates required item

\*\* applicable to DMS-100 protocol only

\*\*\* applicable to DMS-100 protocol and DMS-250 protocol only



## Configuring Cisco CallManager QSIG-related Service Parameters

The following screen captures show QSIG-related service parameters, as found on Cisco CallManager 4.1(2) software:

Clusterwide Parameters (Feature - Forward)		
Parameter Name	Parameter Value	Suggested Value
Forward Maximum Hop Count*	<input type="text" value="12"/>	12
Forward No Answer Timer (sec)*	<input type="text" value="12"/>	12
Max Forward Hops to DN*	<input type="text" value="12"/>	12
Retain Forward Information*	<input type="text" value="False"/>	False
Forward By Reroute Enabled*	<input type="text" value="True"/>	False
Forward By Reroute T1 Timer (sec)*	<input type="text" value="10"/>	10
Include Original Called Info for Q.SIG Call Diversions*	<input type="text" value="Always"/>	Only after the first diversion



Clusterwide Parameters (Feature - Path Replacement)		
Parameter Name	Parameter Value	Suggested Value
Path Replacement Enabled*	<input type="text" value="True"/>	False
Path Replacement on Tromboned Calls*	<input type="text" value="True"/>	True
Start Path Replacement Minimum Delay Time (sec)*	<input type="text" value="0"/>	0
Start Path Replacement Maximum Delay Time (sec)*	<input type="text" value="0"/>	0
Path Replacement T1 Timer (sec)*	<input type="text" value="30"/>	30
Path Replacement T2 Timer (sec)*	<input type="text" value="15"/>	15
Path Replacement PINX ID	<input type="text" value="5555"/>	

### Configuring Cisco Unity for Centralized Voicemail Services

Whether using Cisco Unity as a centralized voicemail server in a Q.SIG private network or to provide voicemail services to Cisco CallManager users only, configure the platform as per the Cisco CallManager 4.1 Integration Guide for Unity 4.0, found at the following URL:

[http://www.cisco.com/en/US/products/sw/voicesw/ps2237/prod\\_configuration\\_guide09186a00802933d0.html](http://www.cisco.com/en/US/products/sw/voicesw/ps2237/prod_configuration_guide09186a00802933d0.html)

### Important Information

THE SPECIFICATIONS AND INFORMATION REGARDING THE PRODUCTS IN THIS DOCUMENT ARE SUBJECT TO CHANGE WITHOUT NOTICE. ALL STATEMENTS, INFORMATION, AND RECOMMENDATIONS IN THIS DOCUMENT ARE BELIEVED TO BE ACCURATE BUT ARE PRESENTED WITHOUT WARRANTY OF ANY KIND, EXPRESS OR IMPLIED. USERS MUST TAKE FULL RESPONSIBILITY FOR THEIR APPLICATION OF ANY PRODUCTS.



IN NO EVENT SHALL CISCO OR ITS SUPPLIERS BE LIABLE FOR ANY INDIRECT, SPECIAL, CONSEQUENTIAL, OR INCIDENTAL DAMAGES, INCLUDING, WITHOUT LIMITATION, LOST PROFITS OR LOSS OR DAMAGE TO DATA ARISING OUT OF THE USE OR INABILITY TO USE THIS DOCUMENT, EVEN IF CISCO OR ITS SUPPLIERS HAVE BEEN ADVISED OF THE POSSIBILITY OF SUCH DAMAGES.



#### **Corporate Headquarters**

Cisco Systems, Inc.  
170 West Tasman Drive  
San Jose, CA 95134-1706  
USA  
www.cisco.com  
Tel: 408 526-4000  
800 553-NETS (6387)  
Fax: 408 526-4100

#### **European Headquarters**

Cisco Systems International  
BV  
Haarlerbergpark  
Haarlerbergweg 13-19  
1101 CH Amsterdam  
The Netherlands  
www-europe.cisco.com  
Tel: 31 0 20 357 1000  
Fax: 31 0 20 357 1100

#### **Americas Headquarters**

Cisco Systems, Inc.  
170 West Tasman Drive  
San Jose, CA 95134-1706  
USA  
www.cisco.com  
Tel: 408 526-7660  
Fax: 408 527-0883

#### **Asia Pacific Headquarters**

Cisco Systems, Inc.  
Capital Tower  
168 Robinson Road  
#22-01 to #29-01  
Singapore 068912  
www.cisco.com  
Tel: +65 317 7777  
Fax: +65 317 7799

Cisco Systems has more than 200 offices in the following countries and regions. Addresses, phone numbers, and fax numbers are listed on **the Cisco Web site at [www.cisco.com/go/offices](http://www.cisco.com/go/offices).**

Argentina • Australia • Austria • Belgium • Brazil • Bulgaria • Canada • Chile • China PRC • Colombia • Costa Rica • Croatia • Czech Republic • Denmark • Dubai, UAE • Finland • France • Germany • Greece • Hong Kong SAR • Hungary • India • Indonesia • Ireland • Israel • Italy • Japan • Korea • Luxembourg • Malaysia • Mexico • The Netherlands • New Zealand • Norway • Peru • Philippines • Poland • Portugal • Puerto Rico • Romania • Russia • Saudi Arabia • Scotland • Singapore • Slovakia • Slovenia • South Africa • Spain • Sweden • Switzerland • Taiwan • Thailand • Turkey • Ukraine • United Kingdom • United States • Venezuela • Vietnam • Zimbabwe

Copyright © 2005 Cisco Systems, Inc. All rights reserved. CCSP, the Cisco Square Bridge logo, Follow Me Browsing, and StackWise are trademarks of Cisco Systems, Inc.; Changing the Way We Work, Live, Play, and Learn, and iQuick Study are service marks of Cisco Systems, Inc.; and Access Registrar, Aironet, ASIST, BPX, Catalyst, CCDA, CCDP, CCIE, CCIP, CCNA, CCNP, Cisco, the Cisco Certified Internetwork Expert logo, Cisco IOS, Cisco Press, Cisco Systems, Cisco Systems Capital, the Cisco Systems logo, Cisco Unity, Empowering the Internet Generation, Enterprise/Solver, EtherChannel, EtherFast, EtherSwitch, Fast Step, FormShare, GigaDrive, GigaStack, HomeLink, Internet Quotient, IOS, IP/TV, iQ Expertise, the iQ logo, iQ Net Readiness Scorecard, LightStream, Linksys, MeetingPlace, MGX, the Networkers logo, Networking Academy, Network Registrar, *Packet*, PIX, Post-Routing, Pre-Routing, ProConnect, RateMUX, ScriptShare, SlideCast, SMARTnet, StrataView Plus, SwitchProbe, TeleRouter, The Fastest Way to Increase Your Internet Quotient, TransPath, and VCO are registered trademarks of Cisco Systems, Inc. and/or its affiliates in the United States and certain other countries.

All other trademarks mentioned in this document or Website are the property of their respective owners. The use of the word partner does not imply a partnership relationship between Cisco and any other company. (0501R)