

Cisco Unified CallManager 4.0-PBX Interoperability: Nortel Meridian-1 to a Cisco Catalyst 6608 Gateway using T1 PRI DMS-100 with MGCP

Introduction

This is an application note for connectivity of a Nortel Meridian-1 Opt11C Release 25 PBX with Cisco Unified CallManager Release 4.0 using a Cisco 6608-T1 PRI DMS100 as MGCP Gateway.

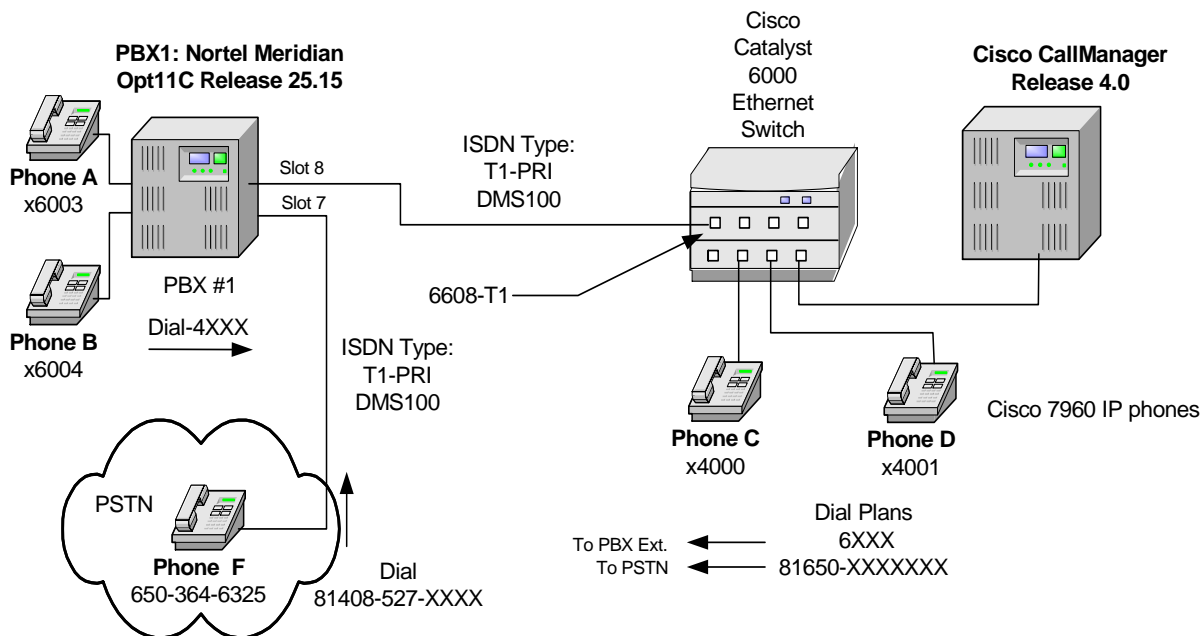
The network topology diagram shows a set-up for end-to-end interoperability between the Cisco Unified CallManager connected to the PBX using 6608-T1 link as MGCP Gateway.

Connectivity is achieved by using the PRI DMS-100 protocol type on the MGCP gateway and S100 switch type on the Nortel PBX.

Cisco Unified CallManager does not send "Connected Number" information in the connect message back to PBX.

Network Topology

Basic Call Setup End-to-End Configuration





Limitations

User/Network Settings

The Nortel Meridian Opt11C supports "User" side only when switch type is set to DMS-100 but will support both "User" and "Network" side when switch type is set to S100. Therefore the Nortel Meridian Opt11C should be configured with switch type of S100.

Tandem Calls through PBX (Trunk-to-Trunk)

DMS100 or SL100 (S100) allows the TKTP (trunk type) to be TIE. And with TIE, Nortel allows trunk to trunk routing depending on the received digits by the Nortel PBX and with the proper programming of the dial plan. The Nortel actually wants to see the 9 (AC1) or 8 (AC2) plus the (11 or 7) digits for this to work. It will look up the received digits and compare it with the NARS and BARS table already set up and it will route the calls to the specified trunk accordingly. Of course calls into the PBX with TKTP=TIE can also recognize if the number being called is within that switch by programming it to recognize local DID numbers. With protocol type of NI2, on the other hand, the Nortel only allows TKTP (trunk type) = DID. Thus, the call has to terminate within the switch and cannot go out on another trunk.

Calling Name and Number Feature

When calling from Cisco 7960 IP phone to Nortel digital phone, Nortel phone display Calling Name and Number after the call is answered. Cisco 7960 IP phone however displays "Connected Name" but did not display "Connected Number". It was verified that Nortel was not sending "Connected Number" information in the connect message back to CallManager.

When calling from Nortel digital phone to Cisco 7960 IP phone, IP phone displays Calling Name and Number after the call is answered. Nortel phone however displays "Connected Name" but did not display "Connected Number". It displays the number being dialed instead. It was verified that the CallManager was not sending "Connected Number" information in the connect message back to PBX.

System Components

Hardware Requirements

Cisco Catalyst 6000 Series Switch with 6608-T1 gateway

Nortel Meridian O11c with NTA09BA, 1.5 Mb DTI/PRI

- Cisco Unified CallManager server

Software Requirements

Cisco Unified CallManager Release 4.0

PBX Software: 25.15

Features

Key Features Supported

Calling Number

Calling Name

Connected Name

Key Features Not Supported

Connected Number



Configuration

Configuration Sequence and Tasks

Configure in the following sequence:

1. Configure Common Equipment.
2. Configure D-Channel.
3. Configure Route Data Block.
4. Configure Trunk.
5. Configure Coordinated Dialing Plan
6. Configure Dialing Plan for Tandem Call

Configuration Menus and Commands

Common Equipment

ld 22

PT2000
MARP NOT ACTIVATED

REQ prt

TYPE cequ

CEQU

MPED 8D

SUPL 000 004 008 012
016 032 036 040
044 048 064 068
072

DDCS 04

DTCS

XCT 000

CONF 029 030 031 062
094 095

DLOP NUM DCH FRM LCMT YALM T1TE TRSH

PRI 007 24 ESF B8S FDL - 00
008 24 ESF B8S FDL - 00

PRI2 05 06

APVL

DTI2 03

MISP 002

REQ ****

>



Configure D-Channel

```
>ld 22

PT2000
MARP NOT ACTIVATED

REQ prt

TYPE adan dch 18

ADAN      DCH 18
  CTYP MSDL
  CARD 08
  PORT 1
  DES t1_d100
  USR PRI
  DCHL 8
  OTBF 32
  PARM RS422 DTE
  DRAT 64KC
  CLOK EXT
  IFC S100
  SIDE NET
  CNEG 1
  RLS ID **
  RCAP ND2
  MBGA NO
  OVLN NO
  OVLS NO
  T200 3
  T203 10
  N200 3
  N201 260
  K 7
REQ *****
>
```

Configure Route Data Block

```
>ld 21

PT1000

REQ: prt

TYPE: rdb

CUST 0

ROUT 108
```



TYPE RDB
CUST 00
DMOD
ROUT 108
DES T1_S100
TKTP TIE
NPID_TBL_NUM 0
ESN NO
RPA NO
CNVT NO
SAT NO
RCLS EXT
DTRK YES
BRIP NO
DGTP PRI
ISDN YES
MODE PRA
IFC S100
SBN NO
PNI 00000
NCNA YES
NCRD YES
CHTY BCH
CTYP UKWN
INAC NO
ISAR NO
CPUB OFF
DAPC NO
BCOT 0
DSEL VOD
PTYP PRI
AUTO NO
DNIS NO
DCDR NO
ICOG IAO
SRCH RRB
TRMB YES
STEP
ACOD 508
TCPP NO
TARG 01
BILN NO
OABS
INST
SIGO STD
MFC NO
ICIS YES
OGIS YES
TIMR ICF 1920
OGF 1920
EOD 13952
LCT 256
NRD 10112
DDL 70
ODT 4096
RGV 640



GTO 896
GTI 896
SFB 3
PRPS 800
NBS 2048
NBL 4096
IENB 5

PAGE 002

TFD 0
VSS 0
VGD 6
DTD NO
SCDT NO
2 DT NO
DRNG NO
CDR NO
NATL YES
SSL
CFWR NO
IDOP NO
VRAT NO
MUS NO
PANS YES
OHQ NO
OHQT 00
CBQ NO
AUTH NO
TTBL 0
PLEV 2
OPR NO
ALRM NO
ART 0
TIDY 508 108
SGRP 0
AACR NO

REQ: ****
>

Configure Trunk

>ld 20

PT0000
MARP NOT ACTIVATED

REQ: prt

TYPE: tnb



TN 8 1

DATE

PAGE

DES

TN 008 01

TYPE TIE

CDEN SD

CUST 0

TRK PRI

PDCA 1

PCML MU

NCOS 0

RTMB 108 1

B-CHANNEL SIGNALING

TGAR 0

AST NO

IAPG 0

CLS UNR DTN CND WTA LPR APN THFD XREP BARD HKD

P10 VNL

TKID

DATE 4 MAR 2004

NACT *****

>

Configure Coordinated Dialing Plan

>>LD 87

ESN000

MEM AVAIL: (U/P): 1260909 USED U P: 92556 39174 TOT: 1392639

DISK RECS AVAIL: 463

REQ PRT

CUST 0

FEAT CDP

TYPE DSC

DSC 4

DSC 4

FLEN 0

DSP LSC

RRPA NO



RLI 18
NPA
NXX

MEM AVAIL: (U/P): 1260909 USED U P: 92556 39174 TOT: 1392639
DISK RECS AVAIL: 463
REQ *****

>
OVL000
>LD 86

ESN000

MEM AVAIL: (U/P): 1260909 USED U P: 92556 39174 TOT: 1392639
DISK RECS AVAIL: 463
REQ PRT

CUST 0

FEAT RLB

RLI 18

RLI 18

ENTR 0
LTER NO

ROUT 108

TOD 0 ON 1 ON 2 ON 3 ON
4 ON 5 ON 6 ON 7 ON

VNS NO

CNV NO

EXP NO

FRL 0

DMI 0

FCI 0

FSNI 0

BNE NO

SBOC NRR

IDBB DBD

IOHQ NO

OHQ NO

CBQ NO

ISET 0

NALT 5

MFRL 0

OVL 0

MEM AVAIL: (U/P): 1260909 USED U P: 92556 39174 TOT: 1392639
DISK RECS AVAIL: 463
REQ
DTC105



ESN004

REQ ****

>

Configure Dialing Plan for Tandem Call

Dial Plan Configuration when PBX received AC2 (8) + NPA (1408) digit string

>ld 90

ESN000

MEM AVAIL: (U/P): 1261180 USED U P: 92290 39169 TOT: 1392639

DISK RECS AVAIL: 463

REQ prt

CUST 0

FEAT net

TRAN ac2

TYPE npa

NPA 1408

NPA 1408

RLI 8

SDRR NONE

ITEI NONE

MEM AVAIL: (U/P): 1261180 USED U P: 92290 39169 TOT: 1392639

DISK RECS AVAIL: 463

REQ ****

>ld 86

ESN000

MEM AVAIL: (U/P): 1261180 USED U P: 92290 39169 TOT: 1392639

DISK RECS AVAIL: 463

REQ prt

CUST 0

FEAT rlb

RLI 8



RLI 8
ENTR 0
LTER NO
ROUT 108
TOD 0 ON 1 ON 2 ON 3 ON
4 ON 5 ON 6 ON 7 ON
VNS NO
CNV NO
EXP NO
FRL 0
DMI 8
FCI 0
FSNI 0
BNE NO
SBOC NRR
IDBB DBD
IOHQ NO
OHQ NO
CBQ NO

ISET 0
NALT 5
MFRL 0
OVLL 0

MEM AVAIL: (U/P): 1261180 USED U P: 92290 39169 TOT: 1392639
DISK RECS AVAIL: 463
REQ prt

CUST 0

FEAT dgt

DMI 8

DMI 8
DEL 7
CTYP UKWN

REQ ****

>
Dial Plan Configuration when PBX received AC2 (8) + NPA (1650) digit string

>ld 90

ESN000

MEM AVAIL: (U/P): 1261180 USED U P: 92290 39169 TOT: 1392639
DISK RECS AVAIL: 463
REQ prt



CUST 0

FEAT net

TRAN ac2

TYPE npa

NPA 1650

NPA 1650

RLI 7

SDRR NONE

ITEI NONE

MEM AVAIL: (U/P): 1261180 USED U P: 92290 39169 TOT: 1392639

DISK RECS AVAIL: 463

REQ ****

>

OVL000

>ld 86

ESN000

MEM AVAIL: (U/P): 1261180 USED U P: 92290 39169 TOT: 1392639

DISK RECS AVAIL: 463

REQ prt

CUST 0

FEAT rlb

RLI 7

RLI 7

ENTR 0

LTER NO

ROUT 107

TOD 0 ON 1 ON 2 ON 3 ON

4 ON 5 ON 6 ON 7 ON

VNS NO

CNV NO

EXP NO

FRL 0

DMI 7

FCI 0

FSNI 0

BNE NO

SBOC NRR

IDBB DBD

IOHQ NO



OHQ NO
CBQ NO

ISET 0
NALT 5
MFRL 0
OVLL 0

MEM AVAIL: (U/P): 1261180 USED U P: 92290 39169 TOT: 1392639
DISK RECS AVAIL: 463
REQ prt

CUST 0

FEAT dgt

DMI 7
DMI 7
DEL 1
CTYP NCHG

MEM AVAIL: (U/P): 1261180 USED U P: 92290 39169 TOT: 1392639
DISK RECS AVAIL: 463
REQ ****



Configuring Cisco Unified CallManager

The screenshot shows the Cisco CallManager Administration web interface in Microsoft Internet Explorer. The browser title is "Cisco CallManager 4.0 Administration - Gateway Configuration - Microsoft Internet Explorer". The address bar shows the URL: <http://cm-klington/CCMAdmin/gatewayconfig.asp?pkid={DF71136E-4975-4B2C-BDE6-C24A840B4ABC}&Status=US&Action=>

The page header includes "Cisco CallManager Administration For Cisco IP Telephony Solutions" and the Cisco Systems logo. The main navigation menu contains: System, Route Plan, Service, Feature, Device, User, Application, Help.

Gateway Configuration

[Back to Find/List Gateways](#)
[Dependency Records](#)

Product : Cisco Catalyst 6000 T1 VoIP Gateway
Gateway : S0/DS1-0@SDA0001C9D93A98
Device Protocol: Digital Access PRI
Registration: Registered with Cisco CallManager 172.20.32.254
IP Address: [172.20.32.112](#)

Status: Update completed.

Device Information

MAC Address*	<input type="text" value="0001C9D93A98"/>
Description	<input type="text" value="SDA0001C9D93A98"/>
Device Pool*	<input type="text" value="Default"/>
Network Locale	<input type="text" value="United States"/>
Media Resource Group List	<input type="text" value="< None >"/>
Location	<input type="text" value="< None >"/>
AAR Group	<input type="text" value="< None >"/>
Load Information	<input type="text" value=""/>

Multilevel Precedence and Preemption (MLPP) Information

MLPP Domain (e.g., "0000FF")	<input type="text" value=""/>
MLPP Indication	<input type="text" value="Off"/>
MLPP Preemption	<input type="text" value="Disabled"/>

Interface Information

PRI Protocol Type*	<input type="text" value="PRI DMS-100"/>
Protocol Side*	<input type="text" value="User"/>
Channel Selection Order*	<input type="text" value="Top Down"/>
Channel IE Type*	<input type="text" value="Timeslot Number"/>

Reset succeeded.

Local intranet



Cisco CallManager 4.0 Administration - Gateway Configuration - Microsoft Internet Explorer

File Edit View Favorites Tools Help

Address <http://cm-klngon/CCMAdmin/gatewayconfig.asp?pkid={DF71136E-4975-4B2C-BDE6-C24A840B4ABC}&type=1> Go Links »

PCM Type*

Delay for first restart (1/8 sec ticks)

Delay between restarts (1/8 sec ticks)

Inhibit restarts at PRI initialization

Enable status poll

Call Routing Information

Inbound Calls

Significant Digits*

Calling Search Space

AAR Calling Search Space

Prefix DN

Outbound Calls

Calling Line ID Presentation*

Calling Party Selection*

Called party IE number type unknown*

Calling party IE number type unknown*

Called Numbering Plan*

Calling Numbering Plan*

Number of digits to strip*

Caller ID DN

SMDI Base Port*

PRI Protocol Type Specific Information

Display IE Delivery

Redirecting Number IE Delivery - Outbound

Redirecting Number IE Delivery - Inbound

Send Extra Leading Character In DisplayIE***

Setup non-ISDN Progress Indicator IE Enable****

Done Local intranet



Cisco CallManager 4.0 Administration - Gateway Configuration - Microsoft Internet Explorer

File Edit View Favorites Tools Help

Address <http://cm-kingon/CCMAdmin/gatewayconfig.asp?pkid={DF71136E-4975-4B2C-BDE6-C24A840B4ABC}&type=1>

MCDN Channel Number Extension Bit Set to Zero**

Send Calling Name In Facility IE

Interface Identifier Present**

Interface Identifier Value**

Connected Line ID Presentation (QSIG Inbound Call)*

Connected PBX Model

Product Specific Configuration

Clock Reference*

TX-Level CSU*

FDL Channel*

Framing*

Audio Signal Adjustment into IP Network*

Audio Signal Adjustment from IP Network*

Yellow Alarm*

Zero Suppression*

Digit On Duration(50-500ms)*

Interdigit Duration(50-500msec)*

SNMP Community String

Disable SNMP Set operations*

Debug Port Enable*

Hold Tone Silence Duration*

Port Used for Voice Calls*

Port Used for Modem Calls*

Port Used for Fax Calls*

Fax and Modem Parameters

Fax Relay Enable*

Fax Error Correction Mode Override*

Maximum Fax Rate*

Done Local intranet



Cisco CallManager 4.0 Administration - Gateway Configuration - Microsoft Internet Explorer

File Edit View Favorites Tools Help

Address <http://cm-kingon/CCMAdmin/gatewayconfig.asp?pkid={DF71136E-4975-4B2C-BDE6-C24A840B4ABC}&Status=US&Action=>

Maximum Fax Rate*	14400bps
Fax Payload Size*	20
Non Standard Facilities Country Code*	65535
Non Standard Facilities Vendor Code*	65535
Fax/Modem Packet Redundancy*	<input type="checkbox"/>
NSE Type*	Non-IOS Gateways

Playout Delay Parameters

Initial Playout Delay*	40
Minimum Playout Delay*	20
Maximum Playout Delay*	150

Echo Canceller Configuration

Echo TailLength (ms)*	32 ms
Minimum ERL (db)*	6 db

* indicates required item
** applicable to DMS-100 protocol only
*** applicable to DMS-100 protocol and DMS-250 protocol only
**** may be required to force ringback from some PBXs

[Back to Find/List Gateways](#)

Reset succeeded. Local intranet



Enbloc Route Pattern Configuration

Cisco CallManager 4.0 Administration - Route Pattern/Hunt Pilot Configuration - Microsoft Internet Explorer

Address: http://cm-klngon/CCMAdmin/routepatternconfig.asp?pkid={3F08903A-3126-4CE1-95DF-9E01A95B7DC4}

Route Pattern/Hunt Pilot: 6XXX

Status: Ready
Note: Any update to this Route Pattern or Hunt Pilot automatically resets the associated gateway or Route/Hunt List

Copy Update Delete

Pattern Definition

Route Pattern/Hunt Pilot* 6XXX

Partition < None >

Description

Numbering Plan* North American Numbering Plan

Route Filter < None >

MLPP Precedence Default

Gateway or Route/Hunt List* S0/DS1-0@SDA0001C9D93A98 (Edit)

Route Option

Route this pattern

Block this pattern -- Not Selected --

Provide Outside Dial Tone Allow Overlap Sending Urgent Priority

Calling Party Transformations

Use Calling Party's External Phone Number Mask

Calling Party Transform Mask

Prefix Digits (Outgoing Calls)

Calling Line ID Presentation Default

Calling Name Presentation Default

Connected Party Transformations

Connected Line ID Presentation Default

Connected Name Presentation Default

Called Party Transformations

Discard Digits < None >

Called Party Transform Mask

Prefix Digits (Outgoing Calls)

ISDN Network-Specific Facilities Information Element

Carrier Identification Code

Network Service Protocol PRI DMS-100

Network Service Private Service Parameter Name < Not Exist > Service Parameter Value

Done Local intranet



Translation Pattern for Incoming Calls

Cisco CallManager 4.0 Administration - Translation Pattern Configuration - Microsoft Internet Explorer

Address <http://cm-klngon/CCMAdmin/translationconfig.asp?pkid={89B55D17-7179-4943-A5CF-EED9D09BF290}>

Translation Pattern Configuration

[Add a New Translation Pattern](#)
[Back to Find/List Translation Patterns](#)

Translation Pattern: 4XXX
Status: Ready

Pattern Definition

Translation Pattern	<input type="text" value="4XXX"/>
Partition	<input type="text" value="Incoming Trunk"/>
Description	<input type="text"/>
Numbering Plan*	<input type="text" value="North American Numbering Plan"/>
Route Filter	<input type="text" value="< None >"/>
Calling Search Space	<input type="text" value="Phones"/>
MLPP Precedence	<input type="text" value="Default"/>
Route Option	<input checked="" type="radio"/> Route this pattern <input type="radio"/> Block this pattern <input type="text" value="-- Not Selected --"/>
<input checked="" type="checkbox"/> Provide Outside Dial Tone	<input checked="" type="checkbox"/> Urgent Priority

Calling Party Transformations

Use Calling Party's External Phone Number Mask

Calling Party Transform Mask	<input type="text"/>
Prefix Digits (Outgoing Calls)	<input type="text"/>
Calling Line ID Presentation	<input type="text" value="Default"/>
Calling Name Presentation	<input type="text" value="Default"/>

Connected Party Transformations

Connected Line ID Presentation	<input type="text" value="Default"/>
Connected Name Presentation	<input type="text" value="Default"/>

Called Party Transformations

Discard Digits	<input type="text" value="< None >"/>
Called Party Transform Mask	<input type="text"/>
Prefix Digits (Outgoing Calls)	<input type="text"/>

* indicates required item.



PSTN Route Pattern Configuration

Cisco CallManager 4.0 Administration - Route Pattern/Hunt Pilot Configuration - Microsoft Internet Explorer

File Edit View Favorites Tools Help

Back Forward Stop Home Search Favorites Media

Address http://cm-klngon/CCMAdmin/routepatternconfig.asp?pkid={A0E58AC2-80ED-4857-9D43-DCC43AA6EA56} Go Links

Route Pattern/Hunt Pilot: 81650XXXXXX

Status: Ready
Note: Any update to this Route Pattern or Hunt Pilot automatically resets the associated gateway or Route/Hunt List

Copy Update Delete

Pattern Definition

Route Pattern/Hunt Pilot* 81650XXXXXX

Partition <None >

Description

Numbering Plan* North American Numbering Plan

Route Filter <None >

MLPP Precedence Default

Gateway or Route/Hunt List* S0/DS1-0@SDA0001C9D93A98 (Edit)

Route Option

Route this pattern

Block this pattern — Not Selected —

Provide Outside Dial Tone Allow Overlap Sending Urgent Priority

Calling Party Transformations

Use Calling Party's External Phone Number Mask

Calling Party Transform Mask

Prefix Digits (Outgoing Calls)

Calling Line ID Presentation Default

Calling Name Presentation Default

Connected Party Transformations

Connected Line ID Presentation Default

Connected Name Presentation Default

Called Party Transformations

Discard Digits <None >

Called Party Transform Mask

Prefix Digits (Outgoing Calls)

ISDN Network-Specific Facilities Information Element

Carrier Identification Code

Network Service Protocol — Not Selected —

Network Service	Service Parameter Name	Service Parameter Value
— Not Selected —	< Not Exist >	

Done Local intranet



Cisco IP Phone 7960 Configuration

Cisco CallManager 4.0 Administration - Phone Configuration - Microsoft Internet Explorer

Address: <http://cm-klington/CCMAdmin/phoneconfig.asp?pkid={23EE0A35-0B85-42D6-8B13-18D674D3F2CE}>

Phone Configuration

[Add a new phone](#)
[Add/Update Speed Dials](#)
[Subscribe/Unsubscribe Services](#)
[Dependency Records](#)
[Back to Find/List Phones](#)

Directory Numbers

Base Phone

- Line 1 - 4000 in 778 779 Phones
- Line 2 - Add new DN 778 779

Phone: SEP000B5FD22FE8 (Auto 4000)
Registration: Registered with Cisco CallManager 172.20.32.254
IP Address: [172.20.32.102](#)
Status: Ready

Copy Update Delete Reset Phone

Phone Configuration (Model = Cisco 7960)

Device Information

MAC Address*	<input type="text" value="000B5FD22FE8"/>
Description	<input type="text" value="Auto 4000"/>
Owner User ID	<input type="text"/> (Select User ID)
Device Pool*	Default (View details)
Calling Search Space	< None >
AAR Calling Search Space	< None >
Media Resource Group List	< None >
User Hold Audio Source	< None >
Network Hold Audio Source	< None >
Location	< None >
User Locale	< None >
Network Locale	< None >
Device Security Mode	Use System Default
Built In Bridge	Default
Privacy	Default

Phone Button Template Information

Phone Button Template*	Standard 7960 (View button list)
------------------------	----------------------------------

Softkey Template Information

Softkey Template	< None >
------------------	----------

Expansion Module Information

Module 1	< None >
Module 2	< None >

Local intranet



Cisco CallManager 4.0 Administration - Phone Configuration - Microsoft Internet Explorer

File Edit View Favorites Tools Help

Address <http://cm-kingon/CCMAdmin/phoneconfig.asp?pkid={23EE0A35-0B85-42D6-8B13-18D674D3F2CE}>

Firmware Load Information (leave blank to use default)

Phone Load Name

Module 1 Load Name (Module 1 selection required)

Module 2 Load Name (Module 2 selection required)

Cisco IP Phone - External Data Locations (leave blank to use default)

Information

Directory

Messages

Services

Authentication Server

Proxy Server

Idle

Idle Timer (seconds)

Extension Mobility (Device Profile) Information

Enable Extension Mobility Feature

Log Out Profile

Log In User ID

Log In Time

Log Out Time

Multilevel Precedence and Preemption (MLPP) Information

MLPP Domain (e.g., "0000FF")

MLPP Indication

MLPP Preemption

Product Specific Configuration

Disable Speakerphone

Disable Speakerphone and Headset

Forwarding Delay*

PC Port*

Settings Access*

Gratuitous ARP*

PC Voice VLAN Access*

Local intranet



Cisco CallManager 4.0 Administration - Directory Number Configuration - Microsoft Internet Explorer

Address: http://cm-klings/CCMAdmin/directorynumber.asp?NumPlanMapID={FDF4C8AE-583C-4480-9C58-36FC82BAA685}

Directory Number Configuration

[Configure Device \(SEP000B5FD22FE8\)](#)
[Dependency Records](#)

Associated With
SEP000B5FD22FE8
7960 (Line 1)

Directory Number: 4000 (Phones)
Status: Ready
Note: Any update to this Directory Number automatically resets the associated devices

Update Remove from Device Reset Devices

Directory Number

Directory Number* 4000
Partition Phones

Directory Number Settings

Voice Mail Profile <None> (Choose <None> to use default)
Calling Search Space Phones
AAR Group <None>
User Hold Audio Source <None>
Network Hold Audio Source <None>
Auto Answer Auto Answer Off

Call Forward and Pickup Settings

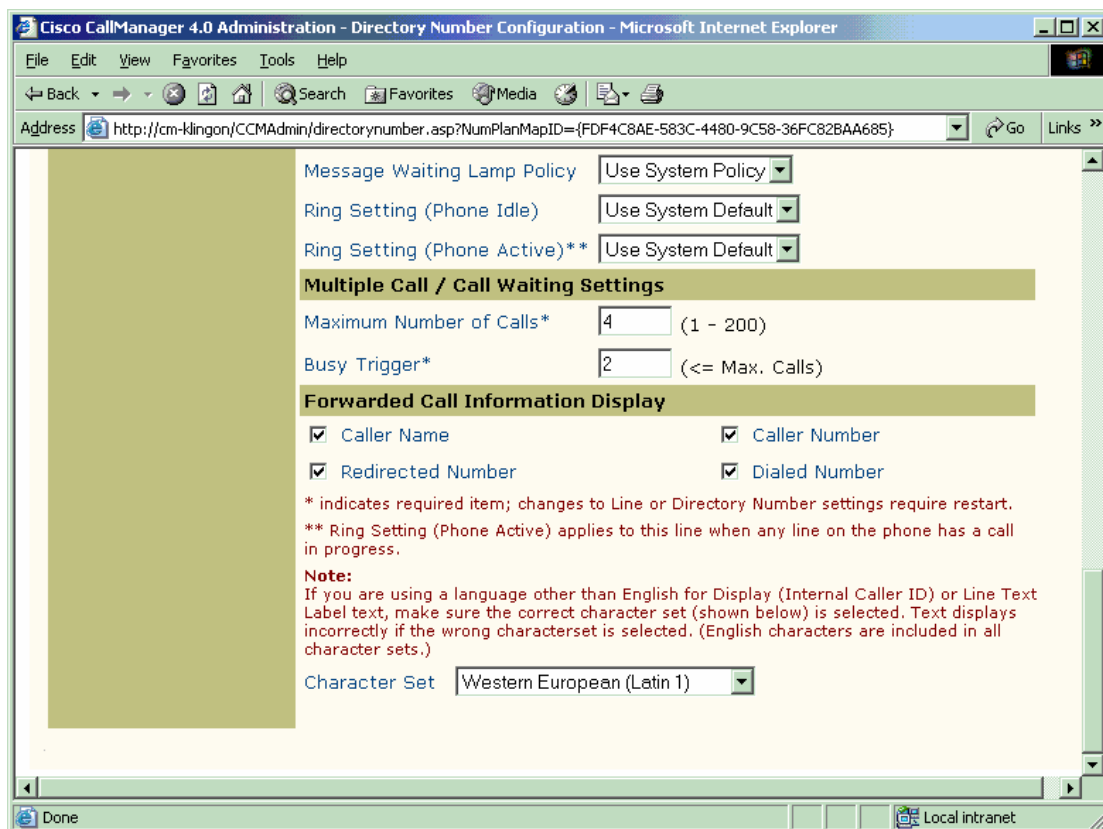
	Voice Mail Destination	Calling Search Space
Forward All	<input type="checkbox"/>	<None>
Forward Busy	<input type="checkbox"/>	<None>
Forward No Answer	<input type="checkbox"/>	<None>
No Answer Ring Duration	(seconds)	
Call Pickup Group	<None>	

MLPP Alternate Party Settings

Target (Destination)
Calling Search Space <None>
No Answer Ring Duration (seconds)

Line Settings for this Device

Display (Internal Caller ID) JOHN DOE
Line Text Label
External Phone Number Mask



Important Information

THE SPECIFICATIONS AND INFORMATION REGARDING THE PRODUCTS IN THIS MANUAL ARE SUBJECT TO CHANGE WITHOUT NOTICE. ALL STATEMENTS, INFORMATION, AND RECOMMENDATIONS IN THIS MANUAL ARE BELIEVED TO BE ACCURATE BUT ARE PRESENTED WITHOUT WARRANTY OF ANY KIND, EXPRESS OR IMPLIED. USERS MUST TAKE FULL RESPONSIBILITY FOR THEIR APPLICATION OF ANY PRODUCTS.

IN NO EVENT SHALL CISCO OR ITS SUPPLIERS BE LIABLE FOR ANY INDIRECT, SPECIAL, CONSEQUENTIAL, OR INCIDENTAL DAMAGES, INCLUDING, WITHOUT LIMITATION, LOST PROFITS OR LOSS OR DAMAGE TO DATA ARISING OUT OF THE USE OR INABILITY TO USE THIS MANUAL, EVEN IF CISCO OR ITS SUPPLIERS HAVE BEEN ADVISED OF THE POSSIBILITY OF SUCH DAMAGES.



Corporate Headquarters

Cisco Systems, Inc.
170 West Tasman Drive
San Jose, CA 95134-1706
USA
www.cisco.com
Tel: 408 526-4000
800 553-NETS (6387)
Fax: 408 526-4100

European Headquarters

Cisco Systems International
BV
Haarlerbergpark
Haarlerbergweg 13-19
1101 CH Amsterdam
The Netherlands
www-europe.cisco.com
Tel: 31 0 20 357 1000
Fax: 31 0 20 357 1100

Americas Headquarters

Cisco Systems, Inc.
170 West Tasman Drive
San Jose, CA 95134-1706
USA
www.cisco.com
Tel: 408 526-7660
Fax: 408 527-0883

Asia Pacific Headquarters

Cisco Systems, Inc.
Capital Tower
168 Robinson Road
#22-01 to #29-01
Singapore 068912
www.cisco.com
Tel: +65 317 7777
Fax: +65 317 7799

Cisco Systems has more than 200 offices in the following countries and regions. Addresses, phone numbers, and fax numbers are listed on **the Cisco Web site at www.cisco.com/go/offices.**

Argentina • Australia • Austria • Belgium • Brazil • Bulgaria • Canada • Chile • China PRC • Colombia • Costa Rica • Croatia • Czech Republic • Denmark • Dubai, UAE • Finland • France • Germany • Greece • Hong Kong SAR • Hungary • India • Indonesia • Ireland • Israel • Italy • Japan • Korea • Luxembourg • Malaysia • Mexico • The Netherlands • New Zealand • Norway • Peru • Philippines • Poland • Portugal • Puerto Rico • Romania • Russia • Saudi Arabia • Scotland • Singapore • Slovakia • Slovenia • South Africa • Spain • Sweden • Switzerland • Taiwan • Thailand • Turkey • Ukraine • United Kingdom • United States • Venezuela • Vietnam • Zimbabwe

Copyright 2003 Cisco Systems, Inc. All rights reserved. Cisco, Cisco Systems, and the Cisco Systems logo are registered trademarks or trademarks of Cisco Systems, Inc. and/or its affiliates in the U.S. and certain other countries. All other trademarks mentioned in this document or Web site are the property of their respective owners. The use of the word partner does not imply a partnership relationship between Cisco and any other company. (0301R)