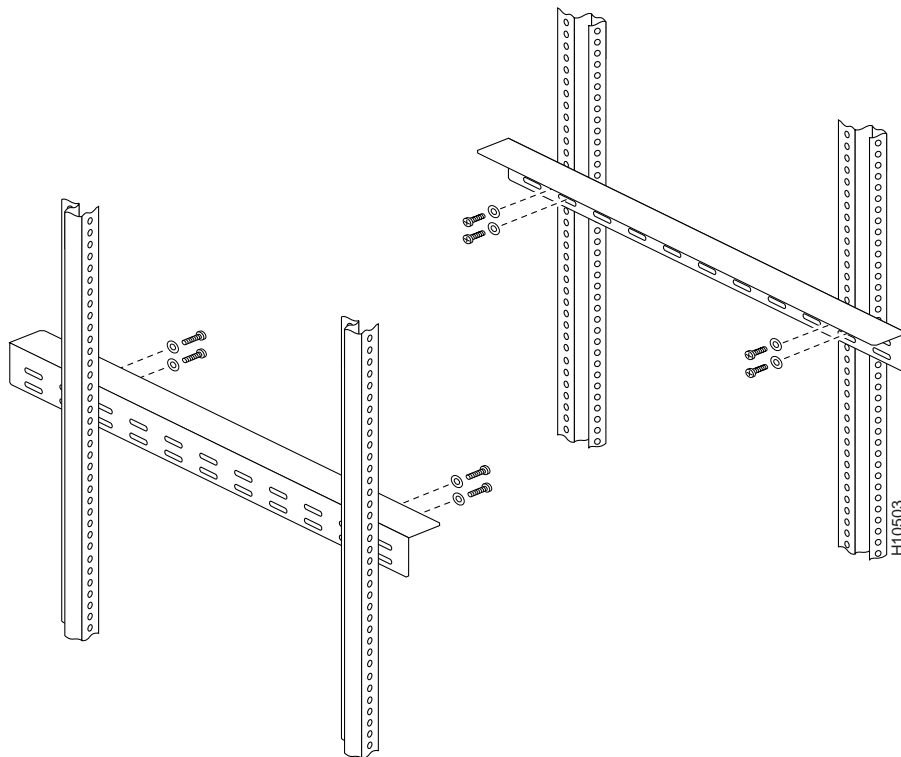


Rack Mounting a Catalyst 1800 Switch

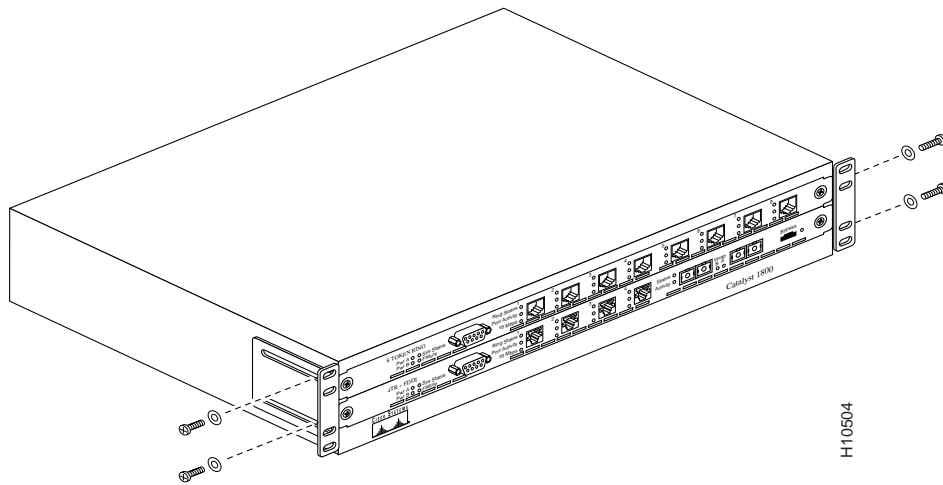
This appendix explains how to install a Catalyst 1800 Token Ring switch in a TIA/EIA-compliant, 19-inch wide equipment rack.

Follow these steps to install the brackets and rack-mount the chassis:

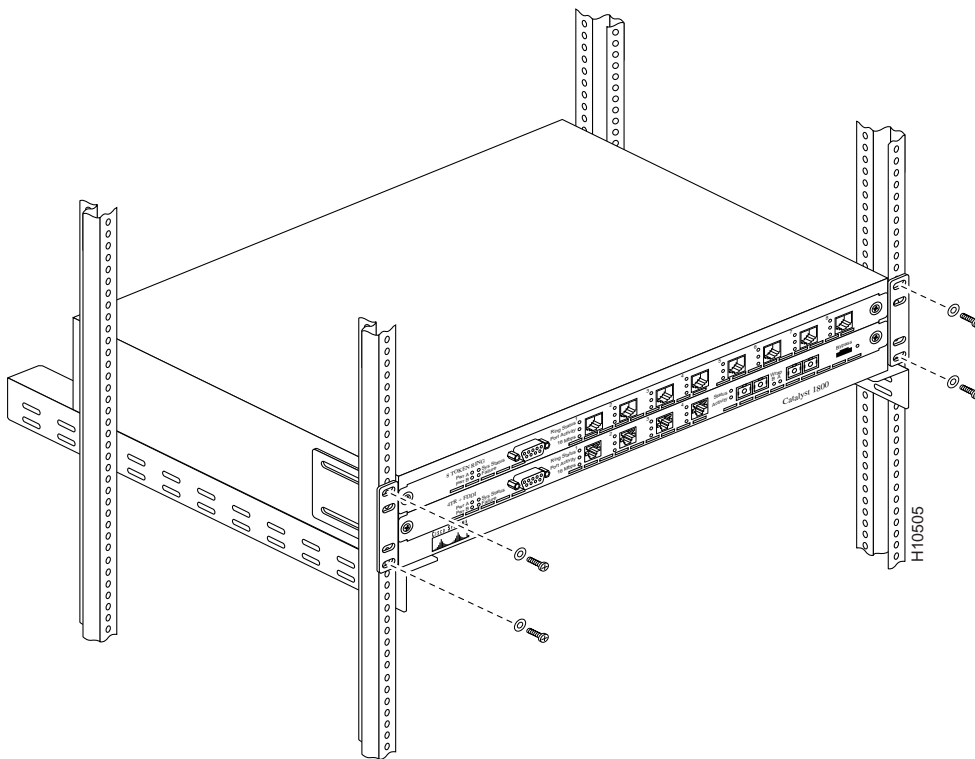
- Step 1** Attach the long shelf brackets to the vertical rails in the equipment rack, as shown below. Use 4 screws per bracket.



-
- Step 2** Attach the “ear” brackets to the chassis, one on each side near the front, so that the front of the ear is roughly flush with the front of the chassis. Use 2 screws per ear.



- Step 3** Rest the chassis on the shelf brackets and use screws to attach the ears to the vertical rack rails. (See figure below.) Use 2 screws per ear.



Note If your rack rails are not compatible with the mounting brackets supplied with the Catalyst 1800 switch, you can purchase a shelf to support the switch in the rack. If you mount the Catalyst 1800 on a shelf, Cisco recommends that you install the ear brackets to prevent the switch from moving around on the shelf.
