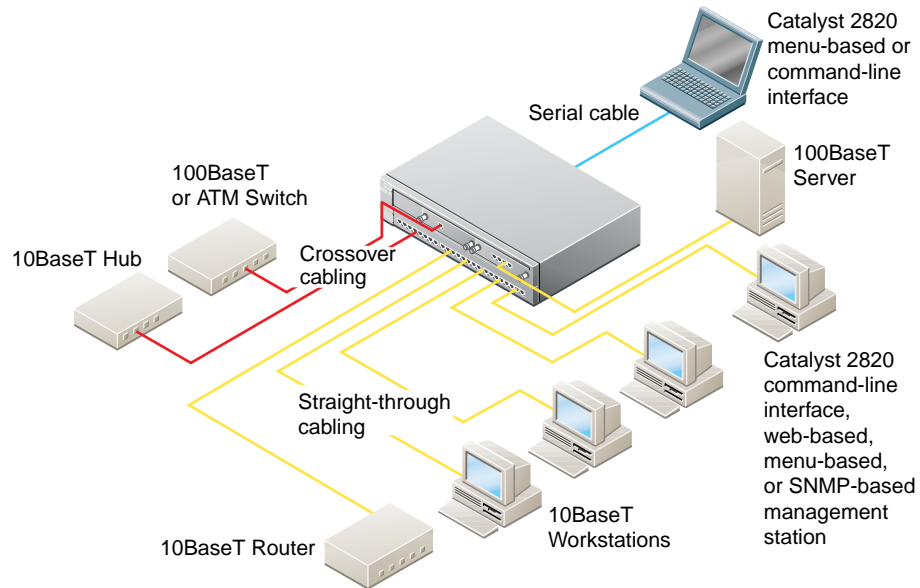


# Quick Start Guide

## CATALYST 2820 SERIES ETHERNET SWITCHES



1

TAKE OUT WHAT YOU NEED

2

CONNECT AND POWER UP THE SWITCH

3

ASSIGN IP INFORMATION AND A PASSWORD TO THE SWITCH

4

DISPLAY THE CATALYST 2820 SWITCH MANAGER HOME PAGE



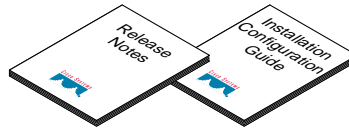


# 1 Take Out What You Need

Catalyst 2820 series Ethernet switch



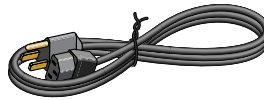
*Catalyst 2820 Series Installation and Configuration Guide and Release Notes*



RJ-45-to-RJ-45 rollover console cable



AC power cable



RJ-45-to-DB-9 serial adapter



Rack-mount kit



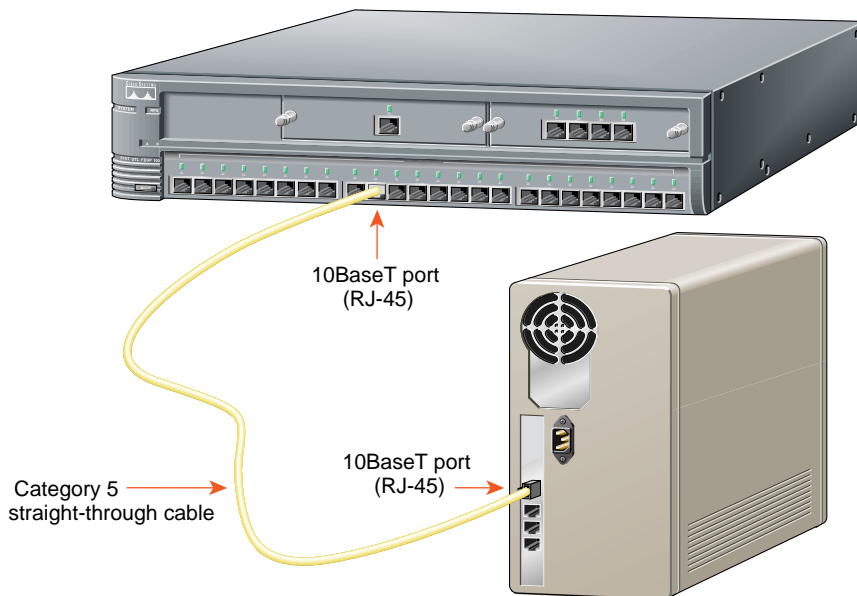
Rubber feet



If any item is missing or damaged, contact your Cisco representative or reseller for support.

*Note: You need to supply Category 3, 4, or 5 straight-through or crossover cables to connect to Ethernet devices.*

## 2 Connect and Power Up the Switch



*Note: Use a straight-through cable to connect two ports when one of the port numbers is designated with an X. Use a crossover cable to connect two ports when both port numbers are designated with an X. These cables are not supplied with the switch.*

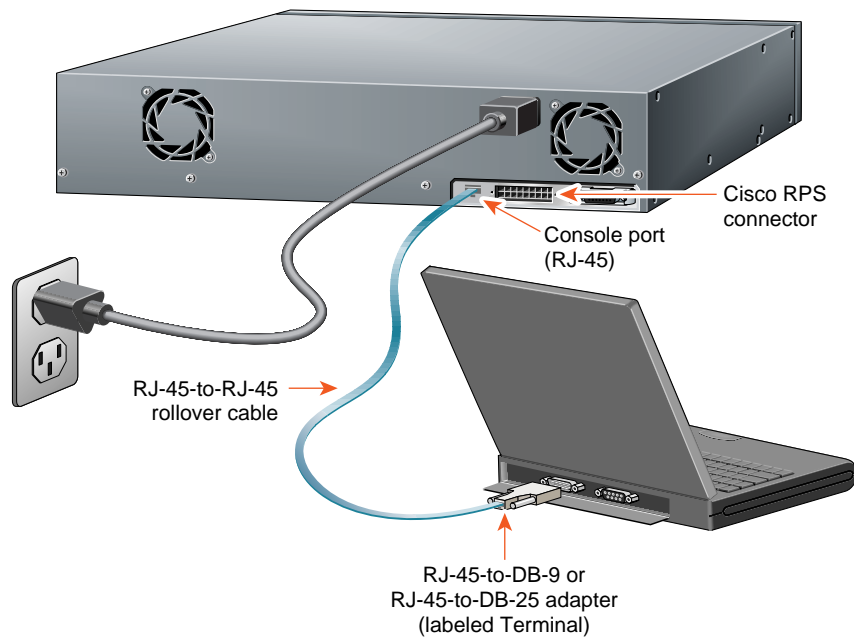
### Connect to Workstations, Servers, and Routers

- 1 Connect a Category 3, 4, or 5 **straight-through** cable to a 10BaseT port on the switch.
- 2 Connect the other end of the cable to a 10BaseT port on the workstation, server, or router.

### Connect to Other Switches and Hubs

- 1 Connect a Category 3, 4, or 5 **crossover** cable to a 10BaseT port on the switch.
- 2 Connect the other end of the cable to a 10BaseT port on the target switch or hub.

*Note: This document describes connections for the Catalyst 2820 switch only. For information on connecting Catalyst 2820 modules (ATM, 100BaseT, FDDI, or shared media), refer to the appropriate module user guide and to the Catalyst 2820 Series Installation and Configuration Guide.*



## Connect the Console Cable

- 1 Before connecting to a terminal, PC, or laptop, make sure its settings match those of the console port on the switch. The default settings of the console port are 9600 baud, 8 data bits, 1 stop bit, no parity, and no flow control.
- 2 Connect the supplied rollover cable to the console port on the switch.
- 3 Connect the other end of the cable to a terminal, PC, or laptop running terminal emulation software (such as ProComm or HyperTerminal) by using an RJ-45 to DB-9 adapter (supplied) or an RJ-45 to RJ-45 adapter (not supplied).

- 4 From your terminal or PC, start the terminal emulation program.

## Power Up the Switch

- 1 Connect one end of the power cord to the switch and the other end to an AC power outlet.

*Note: If you are connecting to a Cisco 600W AC redundant power system (RPS), refer to the Catalyst 2820 Series Installation and Configuration Guide and the latest RPS documentation for more information.*

- 2 Wait approximately 2 minutes for the switch to complete its power-on self-test (POST) and to discover the network.

## 3 Assign IP Information and a Password to the Switch

You assign an IP address to the switch so that you can use the switch management interfaces and so that the switch can communicate with local routers and the Internet. Assigning a password provides security against unauthorized access to the options available from the management interfaces and is required for using the Catalyst 2820 Switch Manager.

*Note: If the switch will be a cluster member, it is not always necessary to assign IP information or a password, as the switch will be accessed and managed through the password and IP address of the command switch. Refer to the Catalyst 2820 Series Installation and Configuration Guide for more information.*

### Assign IP Information

Contact your system administrator for the switch IP information, and record it here.

Switch IP address: \_\_\_\_ . \_\_\_\_ . \_\_\_\_ . \_\_\_\_

Subnet mask: \_\_\_\_ . \_\_\_\_ . \_\_\_\_ . \_\_\_\_

Default gateway: \_\_\_\_ . \_\_\_\_ . \_\_\_\_ . \_\_\_\_

- 1 After POST completes, the Management Console Logon Screen appears on your terminal, PC, or laptop. Enter the **[I] IP Configuration** option from this logon screen.

```
Catalyst 2820 Management Console
Copyright (c) Cisco Systems, Inc. 1993-1999
All rights reserved.
```

```
Standard Edition Software
Ethernet address:      00-E0-1E-7E-B4-40
```

```
PCA Number: 73-2239-01
PCA Serial Number: SAD01200001
Model Number: WS-C2822-A
System Serial Number: FAA01200001
-----
```

```
User Interface Menu
```

```
[M] Menus
[I] IP Configuration
[P] Console Password
```

```
Enter Selection: I
```

The IP Configuration Menu appears.

- 2 Select the **[I] IP address** option from the IP Configuration Menu.

```
Catalyst 2820 - IP Configuration
Ethernet Address: 00-E0-1E-7E-B4-40
```

```
-----Settings-----
[I] IP address
[S] Subnet mask
[G] Default gateway
[B] Management Bridge Group
[M] IP address of DNS server 1
[N] IP address of DNS server 2
[D] Domain name
[R] Use Routing Information Protocol
```

```
-----Actions-----
[P] Ping
[C] Clear cached DNS entries
[X] Exit to previous menu
```

```
Enter Selection: I
```

- 3 The following prompt appears:

```
Enter administrative IP address in
dotted quad format (nnn.nnn.nnn.nnn):
```

```
Current setting ==> 0.0.0.0
New setting ==>
```

If the switch does not have an IP address, the Current setting appears as 0.0.0.0 and you can enter the IP address of the switch as the New setting. If the switch is connected to a network that has a Dynamic Host Configuration Protocol (DHCP)/Bootstrap Protocol (BOOTP) server, the server might automatically assign an IP address.

- 4 If you plan to assign a subnet mask and default gateway, use the **[S] Subnet mask** and **[G] Default gateway** options from the IP Configuration Menu.

## Assign a Password

- 1 From the IP Configuration menu, enter the **[X] Exit** option to again display the Management Console Logon Screen.

```
-----
User Interface Menu

[M] Menus
[I] IP Configuration
[P] Console Password
```

- 2 Enter the **[P] Console Password** option from this screen. Enter a 4- to 8-character password, and verify as prompted. This password is an unencrypted privileged password that controls switch access.
- 3 Press any key to return to the Management Console Logon Screen.

The switch is designed to operate with little or no user intervention. In most cases, you can use it with its default settings as soon as you assign it an IP address and password.

To change the switch configuration and to monitor network conditions and statistics, you can use the management console menus or use the web-based Catalyst 2820 Switch Manager from anywhere on your intranet. If the switch is running the Cisco Catalyst 1900/2820 Enterprise Edition software, you can also use the command-line interface (CLI).

The following section describes how to access the Switch Manager home page. For information about using the console menus or the Catalyst 2820 Switch Manager, refer to the *Catalyst 2820 Series Installation and Configuration Guide*. For information about the CLI, refer to the on-line *Catalyst 1900 Series and Catalyst 2820 Series Command Reference*.

## 4 Display the Catalyst 2820 Switch Manager Home Page

After you assign an IP address to the switch, you can display the Catalyst 2820 Switch Manager. The Switch Manager supports the following platforms and network browsers:

Operating System	Minimum Operating System Requirements	Netscape Communicator	Microsoft Internet Explorer
Windows 95	Service Pack 1	4.5, 4.51, or 4.61	4.01a or 5.0
Windows 98	Second Edition	4.5, 4.51, or 4.61	4.01a or 5.0
Windows NT 4.0	Service Pack 3	4.5, 4.51, or 4.61	4.01a or 5.0
Solaris 2.5.1 or higher	SUN-recommended patch cluster for the OS and Motif library patch 103461-24	4.5, 4.51, or 4.61	Not supported

*Note: Netscape Communicator version 4.60 is not supported.*

To display the Switch Manager home page, start Netscape Communicator or Microsoft Internet Explorer, and configure the browser options needed to communicate with the switch.

### Configuring Netscape Communicator (All Versions)

- 1 From the menu bar, select **Edit>Preferences**.
- 2 In the Preferences window, click **Advanced**.
- 3 Select the **Enable Java**, **Enable JavaScript**, and **Enable Style Sheets** check boxes.
- 4 From the **Advanced** drop-down list, click **Cache**.
- 5 Click **Every time**.
- 6 Click **OK**.

### Configuring Microsoft Internet Explorer 4.01a

*Note: For procedures for configuring Microsoft Internet Explorer 5.0, refer to the Catalyst 2820 Series Installation and Configuration Guide.*

- 1 From the menu bar, select **View>Internet Options**.
- 2 In the Internet Options window, select the **Advanced** tab.
- 3 Scroll through the list of options to Java VM, select the **Java JIT compiler enabled** and **Java logging enabled** check boxes. Click **Apply**.



- 4 In the Internet Options window, select the **General** tab.
- 5 In the Temporary Internet Files section, click **Settings**.
- 6 In the Settings window, click the **Every visit to the page** radio button, and click **OK**.
- 7 In the Internet Options window, select the **Security** tab.
- 8 In the Zone drop-down list, select **Trusted Sites Zone**, and click **Custom**.
- 9 Click **Settings....**
- 10 In the Security Settings window, scroll to the **Java>Java permissions** section, and select the **Custom** radio button.
- 11 Click **Java Custom Settings...**, which appears at the bottom of the window.
- 12 In the Trusted Sites Zones window, select the **Edit Permissions** tab.
  - (a) If the buttons under **Run Unsigned Content** are not available, return to the Security Settings window, and select either **Medium** or **Low** safety in the **Reset Java Permissions** list box. Click **Reset**.
  - (b) Under **Run Unsigned Content**, select the **Enable** radio button, and click **OK**.
- 13 In the Security Settings window, click **OK**.
- 14 In the Internet Options window, select the **Security** tab, and verify that the Zone drop-down list is set to **Trusted Sites Zone**.
- 15 In the Trusted Sites Zone section, click **Add Sites....**
- 16 In the Trusted Sites Zone window, deselect the **Require server verification** check box.
- 17 In the **Add this Web site to the Zone** field, enter the IP address of the switch.

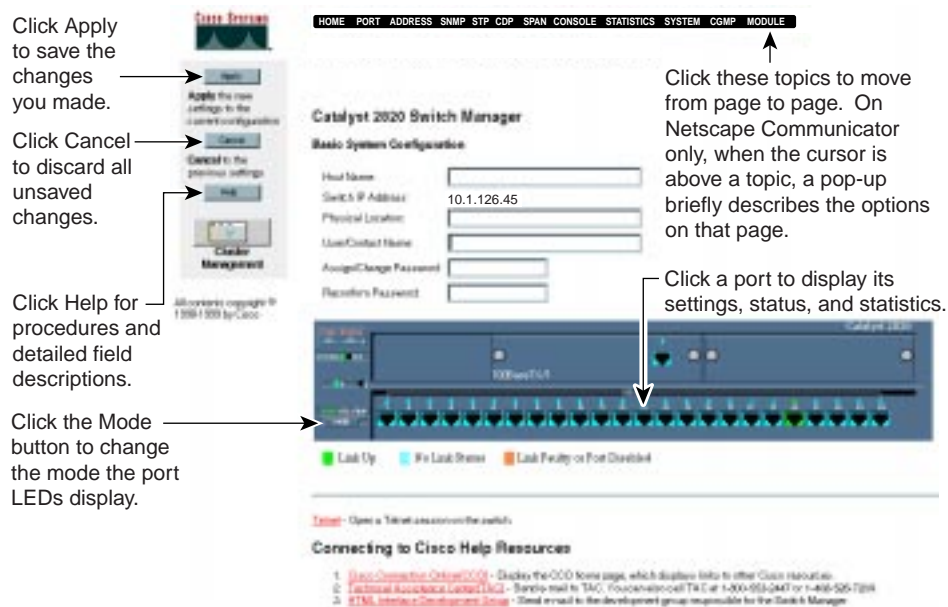
*Note: If the switch will be a member of a cluster, you only need to enter the address of the cluster command switch. Refer to the documentation for the cluster command switch for more information.*
- 18 Click **Add**, and then click **OK**.
- 19 In the Internet Options window, click **OK**.

## Display the Switch Manager Home Page

When the browser is configured, display the Switch Manager home page as follows:

- 1 Enter the IP address of the switch in the Location field if you are using Netscape Communicator (the Address field if you are using Microsoft Internet Explorer), and press **Return**.
- 2 Enter the switch password assigned through the console menu (see “Assign a Password” in the previous section). At the prompt, click **OK**.

The Catalyst 2820 Switch Manager home page is displayed.



You can use the Switch Manager to change the switch configuration and to monitor switch conditions and statistics from anywhere on your intranet.

Refer to the *Catalyst 2820 Series Installation and Configuration Guide* for complete information about the Catalyst 2820 Switch Manager and how to configure the switch.



**Corporate Headquarters**

Cisco Systems, Inc.  
170 West Tasman Drive  
San Jose, CA 95134-1706  
USA  
<http://www.cisco.com>  
Tel: 408 526-4000  
800 553-NETS (6387)  
Fax: 408 526-4100

**European Headquarters**

Cisco Systems Europe s.a.r.l.  
Parc Evolic, Batiment L1/L2  
16 Avenue du Quebec  
Villebon, BP 706  
91961 Courtaboeuf Cedex  
France  
<http://www-europe.cisco.com>  
Tel: 33 1 69 18 61 00  
Fax: 33 1 69 28 83 26

**Americas  
Headquarters**

Cisco Systems, Inc.  
170 West Tasman Drive  
San Jose, CA 95134-1706  
USA  
<http://www.cisco.com>  
Tel: 408 526-7660  
Fax: 408 527-0883

**Asia Headquarters**

Nihon Cisco Systems K.K.  
Fuji Building, 9th Floor  
3-2-3 Marunouchi  
Chiyoda-ku, Tokyo 100  
Japan  
<http://www.cisco.com>  
Tel: 81 3 5219 6250  
Fax: 81 3 5219 6001

**Cisco Systems has more than 200 offices in the following countries. Addresses, phone numbers, and fax numbers are listed on the Cisco Connection Online Web site at <http://www.cisco.com/offices>.**

Argentina • Australia • Austria • Belgium • Brazil • Canada • Chile • China • Colombia • Costa Rica • Croatia • Czech Republic • Denmark • Dubai, UAE  
Finland • France • Germany • Greece • Hong Kong • Hungary • India • Indonesia • Ireland • Israel • Italy • Japan • Korea • Luxembourg • Malaysia  
Mexico • The Netherlands • New Zealand • Norway • Peru • Philippines • Poland • Portugal • Puerto Rico • Romania • Russia • Saudi Arabia • Singapore  
Slovakia • Slovenia • South Africa • Spain • Sweden • Switzerland • Taiwan • Thailand • Turkey • Ukraine • United Kingdom • United States •

Copyright © 1999, Cisco Systems, Inc. All rights reserved. Access Registrar, AccessPath, Any to Any, AtmDirector, CCDA, CCDE, CCDP, CCIE, CCNA, CCNP, CCSI, CD-PAC, the Cisco logo, Cisco Certified Internetwork Expert logo, *CiscoLink*, the Cisco Management Connection logo, the Cisco NetWorks logo, the Cisco Powered Network logo, Cisco Systems Capital, the Cisco Systems Capital logo, Cisco Systems Networking Academy, the Cisco Systems Networking Academy logo, the Cisco Technologies logo, ConnectWay, Fast Step, FireRunner, GigaStack, IGX, Internet Quotient, Kernel Proxy, MGX, Natural Network Viewer, NetSonar, Network Registrar, *Packet*, PIX, Point and Click Internetworking, Policy Builder, Precept, Secure Script, ServiceWay, SlideCast, SMARTnet, *The Cell*, TrafficDirector, TransPath, ViewRunner, VisionWay, VlanDirector, Workgroup Director, and Workgroup Stack are trademarks; Changing the Way We Work, Live, Play, and Learn, Empowering the Internet Generation, The Internet Economy, and The New Internet Economy are service marks; and ASIST, BPX, Catalyst, Cisco, Cisco IOS, the Cisco IOS logo, Cisco Systems, the Cisco Systems logo, the Cisco Systems Cisco Press logo, Enterprise/Solver, EtherChannel, EtherSwitch, FastHub, FastLink, FastPAD, FastSwitch, GeoTel, IOS, IP/TV, IPX, LightStream, LightSwitch, MICA, NetRanger, Post-Routing, Pre-Routing, Registrar, StrataView Plus, Stratm, TeleRouter, and VCO are registered trademarks of Cisco Systems, Inc. and/or its affiliates in the U.S. and certain other countries. All other trademarks mentioned in this document are the property of their respective owners. The use of the word partner does not imply a partnership relationship between Cisco and any of its resellers. (9909R)



Printed in the USA on recycled paper containing 10% postconsumer waste.