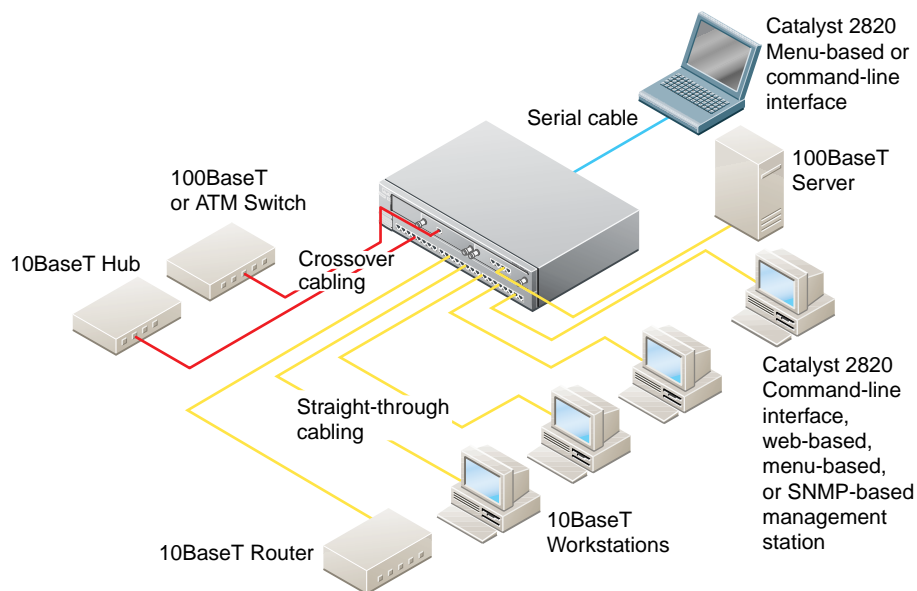


# Quick Start Guide

## CATALYST 2820 SERIES

### CABLING AND SETUP



1

Take Out What You Need

2

Cable the Switch

3

Assign an IP Address to the Switch

4

Display the Web Console





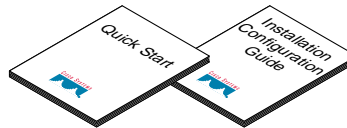
# 1 Take Out What You Need

Catalyst 2820 series switch



*Catalyst 2820 Series Quick Start*

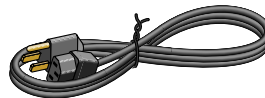
*Catalyst 2820 Series Installation and Configuration Guide*



RJ-45-to-RJ-45 rollover console cable



Black AC power cable



RJ-45-to-DB-9 serial connector



RJ-45-to-DB-25 terminal connector



Rack-mount kit

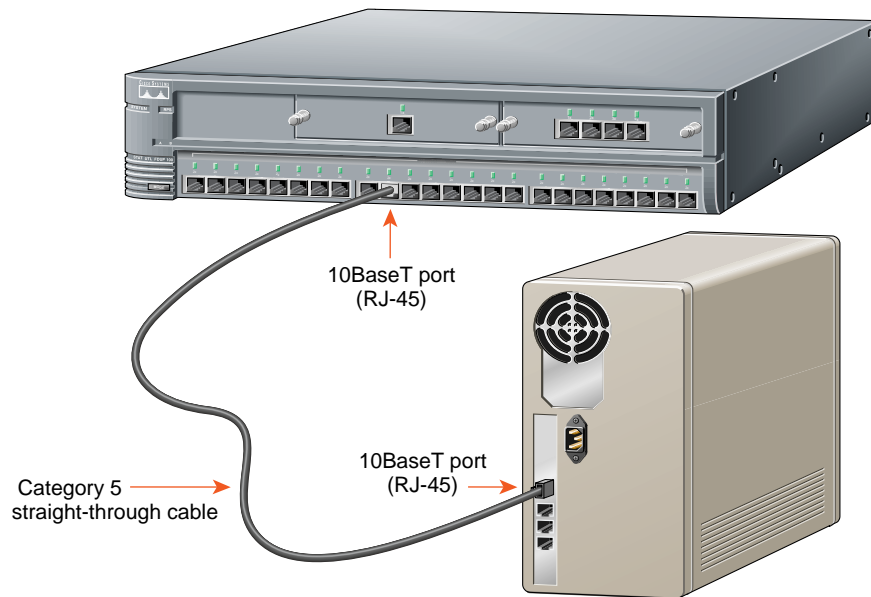


Rubber feet



*Note: You need to supply Category 3, 4, or 5 straight-through or crossover UTP cables to connect to Ethernet devices.*

## 2 Cable the Switch



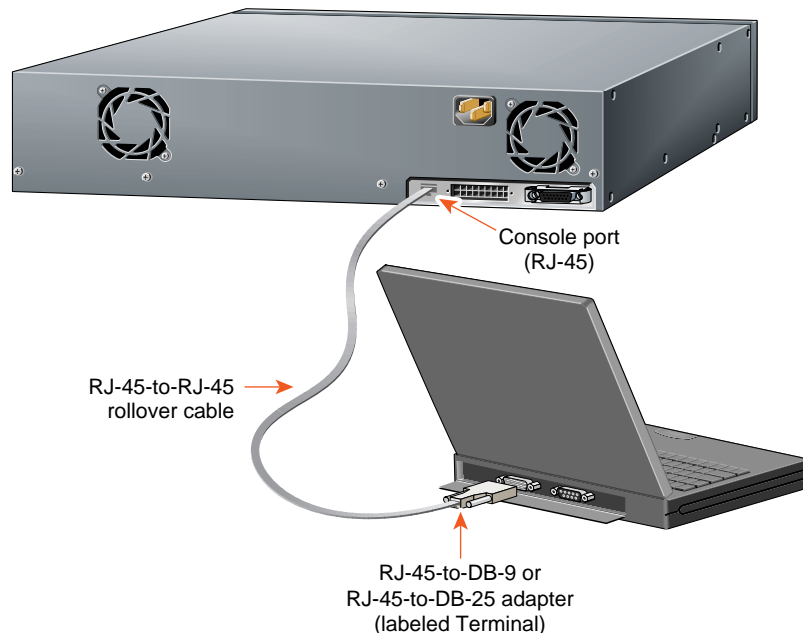
*Note: Use a straight-through cable to connect two ports when one of the ports is designated with an X. Use a crossover cable to connect two ports when both ports are designated with an X.*

### Connect to Workstations, Servers, and Routers

- 1 Connect a Category 3, 4, or 5 **straight-through** UTP cable to a 10BaseT port on the switch.
- 2 Connect the other end of the cable to a 10BaseT port on the workstation, server, or router.

### Connect to Switches and Hubs

- 1 Connect a Category 3, 4, or 5 **crossover** UTP cable to a 10BaseT port on the switch.
- 2 Connect the other end of the cable to a 10BaseT port on the target switch or hub.



## Connect the Console Cable

- 1 Configure your terminal, PC, or laptop to match these characteristics of the CONSOLE port on the switch:  
9600 baud, 8 data bits, 1 stop bit, no parity, and no flow control.
- 2 Connect the supplied rollover cable to the CONSOLE port on the switch.
- 3 Connect the other end of the rollover cable to your terminal, PC, or laptop (use an adapter, if necessary).
- 4 From your terminal, PC, or laptop, start the terminal emulation program.

## Power Up the Switch

- 1 Connect one end of the power cord to the switch and the other end to a power source.

*Note: You can use the internal power supply and/or the Cisco 600W AC redundant power system (RPS). Attach only the Cisco RPS (model PWR600-AC-RPS) to the RPS receptacle.*

- 2 Wait approximately 2 minutes for the switch to complete its power-on self-test (POST) and to discover the network.

## 3 Assign IP Information to the Switch

Assign an IP address to the switch so that you can use the web console and the switch can communicate with local routers and the Internet. Contact your system administrator for the switch IP information, and record it here.

Switch IP address: \_\_\_\_ . \_\_\_\_ . \_\_\_\_ . \_\_\_\_

Subnet mask: \_\_\_\_ . \_\_\_\_ . \_\_\_\_ . \_\_\_\_

Default gateway: \_\_\_\_ . \_\_\_\_ . \_\_\_\_ . \_\_\_\_

- 1 After POST completes, the Management Console Logon Screen appears on your terminal, PC, or laptop. Enter the **[I] IP Configuration** option from this logon screen.

```
Catalyst 2820 Management Console
Copyright (c) Cisco Systems, Inc.
 1993-1998
All rights reserved.
```

```
Standard Edition Software
Ethernet address:
00-E0-1E-7E-B4-40
```

```
PCA Number: 73-2239-01
PCA Serial Number: SAD01200001
Model Number: WS-C2822-A
System Serial Number: FAA01200001
```

```
-----
User Interface Menu
```

```
[M] Menus
[I] IP Configuration
```

```
Enter Selection:
```

The IP Configuration Menu appears.

- 2 Enter the **[I] IP address** option from the IP Configuration Menu.

```
Catalyst 2820 - IP Configuration

Ethernet Address: 00-E0-1E-7E-B4-40

-----Settings-----
[I] IP address
[S] Subnet mask
[G] Default gateway
[M] IP address of DNS server 1
[N] IP address of DNS server 2
[D] Domain name
[R] Use Routing Information Protocol
-----Actions-----
[P] Ping
[X] Exit to previous menu
```

```
Enter Selection:
```

- 3 Enter the IP address of the switch at the prompt:

```
Enter administrative IP address in
dotted quad format (nnn.nnn.nnn.nnn):
```

```
Current setting ==> 0.0.0.0
New setting ==>
```

The IP address appears on the IP Configuration Menu.

- 4 If you want, you can also enter the subnet mask and default gateway from the IP Configuration Menu. If the switch is connected to a network that has a DHCP server, the server assigns this information automatically.
- 5 Enter the **[X] Exit** option until you exit from the menu console.

## 4 Display the Web Console

After you assign an IP address to the switch, you can display the web console.

- 1 Start Netscape Communicator 4.xx or Internet Explorer 4.xx.

If you use Netscape 4.xx, enable JavaScript in the Advanced Preferences list. If you use Explorer 4.xx, JavaScript is enabled by default.

- 2 Enter the IP address of the switch in the Location field if you are using Netscape (the Address field if you are using Internet Explorer), and press Return. The Basic System Configuration page appears.

The screenshot shows the Catalyst 2820 Switch Manager web console. The interface includes a navigation menu at the top with links like HOME, TEST, ADDRESS, and others. The main content area is titled 'Catalyst 2820 Switch Manager' and contains a 'Basic System Configuration' section with fields for Host of Switch, Switch IP Address (192.1.200.10), Physical Location, User/Client Name, Assign/Change Password, and Execution Password. Below this is a visual representation of the switch with a row of LEDs. A 'Mode' button is located below the LEDs, with options: Link Up (green), No Link/Down (blue), and Link Faulty or Port Disabled (yellow). At the bottom, there is a 'Connecting to Cisco Help Resources' section with three numbered links.

Click Apply after making changes on a page. →

Click Revert to discard "unapplied" changes on a page. →

Click Help for help on a specific page. →

Click the Mode button to change the mode the LEDs display: port status, switch utilization, and port duplex operation. →

Click these topics to move from page to page. When the cursor is above a topic, a pop-up briefly describes the options on that particular page. (On Netscape only.) →

Click a port to display its settings and statistics. →

The switch is designed to operate with little or no user intervention. In most cases, you can use it with its default settings as soon as you assign it an IP address. You can also use the web console to change the switch configuration and monitor network conditions and statistics.

*Note: The Catalyst 2820 Series Installation and Configuration Guide provides complete information about the web console and describes how to configure the switch.*

**Corporate Headquarters**

Cisco Systems, Inc.  
170 West Tasman Drive  
San Jose, CA 95134-1706  
USA  
<http://www.cisco.com>  
Tel: 408 526-4000  
800 553-NETS (6387)  
Fax: 408 526-4100

**European Headquarters**

Cisco Systems Europe s.a.r.l.  
Parc Evolic, Batiment L1/L2  
16 Avenue du Quebec  
Villebon, BP 706  
91961 Courtaboeuf Cedex  
France  
<http://www-europe.cisco.com>  
Tel: 33 1 6918 61 00  
Fax: 33 1 6928 83 26

**Americas  
Headquarters**

Cisco Systems, Inc.  
170 West Tasman Drive  
San Jose, CA 95134-1706  
USA  
<http://www.cisco.com>  
Tel: 408 526-7660  
Fax: 408 527-0883

**Asia Headquarters**

Nihon Cisco Systems K.K.  
Fuji Building, 9th Floor  
3-2-3 Marunouchi  
Chiyoda-ku, Tokyo 100  
Japan  
<http://www.cisco.com>  
Tel: 81 3 5219 6250  
Fax: 81 3 5219 6001

**Cisco Systems has more than 200 offices in the following countries. Addresses, phone numbers, and fax numbers are listed on the Cisco Connection Online Web site at <http://www.cisco.com>.**

Argentina • Australia • Austria • Belgium • Brazil • Canada • Chile • China (PRC) • Colombia • Costa Rica • Czech Republic • Denmark  
England • France • Germany • Greece • Hungary • India • Indonesia • Ireland • Israel • Italy • Japan • Korea • Luxembourg • Malaysia  
Mexico • The Netherlands • New Zealand • Norway • Peru • Philippines • Poland • Portugal • Russia • Saudi Arabia • Scotland • Singapore  
South Africa • Spain • Sweden • Switzerland • Taiwan, ROC • Thailand • Turkey • United Arab Emirates • United States •

Copyright © 1998 Cisco Systems, Inc. All rights reserved. Printed in USA. AccessPath, AtmDirector, the CCIE logo, CD-PAC, Centri, Centri Bronze, Centri Gold, Centri Security Manager, Centri Silver, the Cisco Capital logo, Cisco IOS, the Cisco IOS logo, *CiscoLink*, the Cisco NetWorks logo, the Cisco Powered Network logo, the Cisco Press logo, ClickStart, ControlStream, Fast Step, FragmentFree, IGX, JumpStart, Kernel Proxy, LAN<sup>2</sup>LAN Enterprise, LAN<sup>2</sup>LAN Remote Office, MGX, MICA, Natural Network Viewer, NetBeyond, NetRanger, NetSonar, Netsys Technologies, *Packet*, PIX, Point and Click Internetworking, Policy Builder, RouteStream, Secure Script, SMARTnet, StrataSphere, StrataSphere BILLder, StrataSphere Connection Manager, StrataSphere Modeler, StrataSphere Optimizer, Stratum, StreamView, SwitchProbe, *The Cell*, TrafficDirector, TransPath, VirtualStream, VlanDirector, Workgroup Director, Workgroup Stack, and XCI are trademarks; Empowering the Internet Generation and The Network Works. No Excuses. are service marks; and BPX, Catalyst, Cisco, Cisco Systems, the Cisco Systems logo, EtherChannel, FastHub, FastPacket, ForeSight, IPX, LightStream, OptiClass, Phase/IP, StrataCom, and StrataView Plus are registered trademarks of Cisco Systems, Inc. in the U.S. and certain other countries. All other trademarks mentioned in this document are the property of their respective owners. 9803R



Printed in the USA on recycled paper containing 10% postconsumer waste.

78-5190-01