

Appendix D

Cabling Specifications

This appendix contains pinout information for CDDI concentrator and adapter ports, the admin. interface port, and the optical bypass switch connector.

CDDI Cabling

Following are the cable considerations for the CDDI ports.

Figure D-1 shows the pinout for the CDDI/MLT-3 concentrator and adapter ports for A, B, M, and S ports.

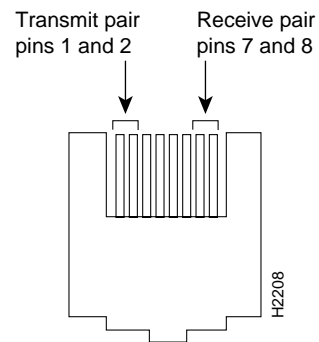


Figure D-1 CDDI Concentrator Port Pin Arrangement

Following are pinouts and cabling requirements for CDDI UTP wiring. Table D-1 lists the pinout used for the CDDI/MLT-3 transmit and receive pairs.

Table D-1 CDDI/MLT-3 Pinout

Pin	Signal	Pin	Signal
1	TX+	5	-
2	TX-	6	-
3	-	7	RX+
4	-	8	RX-

The EIA 568-B wiring scheme is recommended. Table D-2 lists the EIA 568-B RJ-45 wiring scheme.

Table D-2 EIA-568-B RJ-45 Wiring Scheme

Pin	Pair	Color	Pin	Pair	Color
1	2	White/orange	5	1	White/blue
2	2	Orange	6	3	Green
3	3	White/green	7	4	White/brown
4	1	Blue	8	4	Brown

Figure D-2 shows examples of modular cross-connect cables used for CDDI/MLT-3 connections between various devices using the CDDI-FDDI translator.

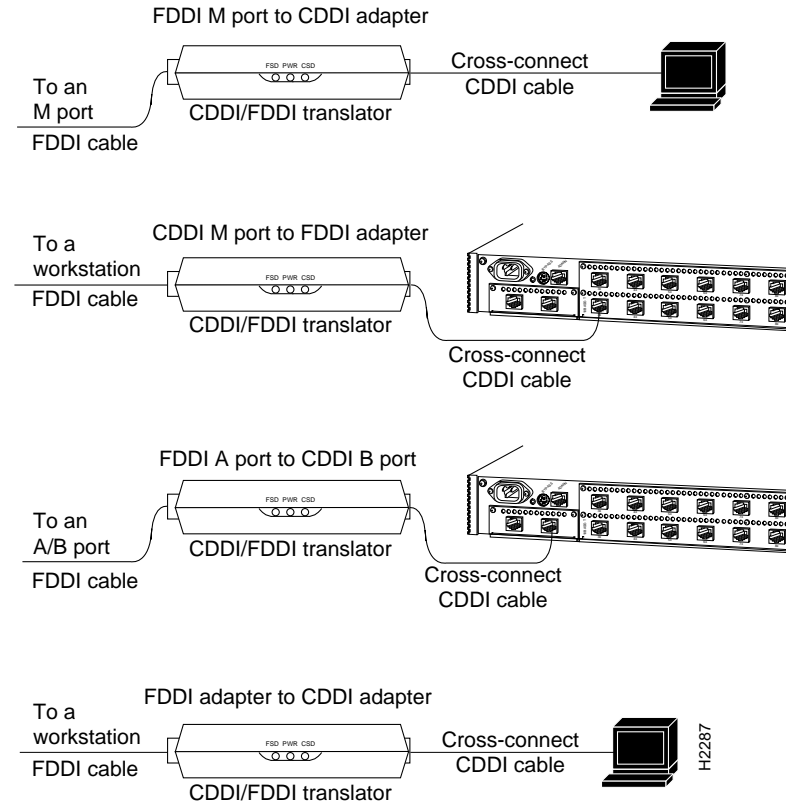


Figure D-2 CDDI/MLT-3 Connections Using Cross-Connect Cable

Admin. Port Cabling

The cabling for the concentrator admin. port must be straight-through, twisted-pair. Each of the four pairs of wires that make up the twisted-pair cable must be individually twisted.

Table D-3 and Table D-4 list the pinouts for the EIA/TIA-232 admin. port.

Table D-3 EIA/TIA-232 DTE Pinout

Switch			Terminal (DTE)	
Signal	RJ-45 Pin	Direction	DB-25 Pin	Signal
CTS	1	Output	4	RTS
DSR	2	Output	20	DTR
RXD	3	Output	2	TXD
GND	4	–	7	GND
GND	5	–	–	–
TXD	6	Input	3	RXD
DTR	7	Input	6	DSR
RTS	8	Input	5	CTS

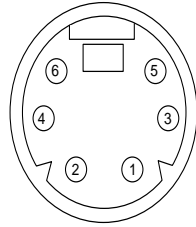
Table D-4 lists the pinout for a null-modem cable used with the admin. port. Modems are considered to be data communication equipment (DCE).

Table D-4 EIA/TIA-232 DCE Pinout

Switch			Modem (DCE)	
Signal	RJ-45 Pin	Direction	DB-25 Pin	Signal
CTS	1	Output	5	CTS
DSR	2	Output	6	DCD
RXD	3	Output	3	RXD
GND	4	–	7	GND
GND	5	–	–	GND
TXD	6	Input	2	TXD
DTR	7	Input	20	DTR
RTS	8	Input	4	RTS

Optical Bypass Switch Pinout

Figure D-3 shows the pinout and connector for the optical bypass switch. The connector is a standard female DIN type.



Pin	Function
1	V+
2	
3	Switch
4	
5	Ground
6	Bypass switch

HP2082

Figure D-3 Optical Bypass Connector

