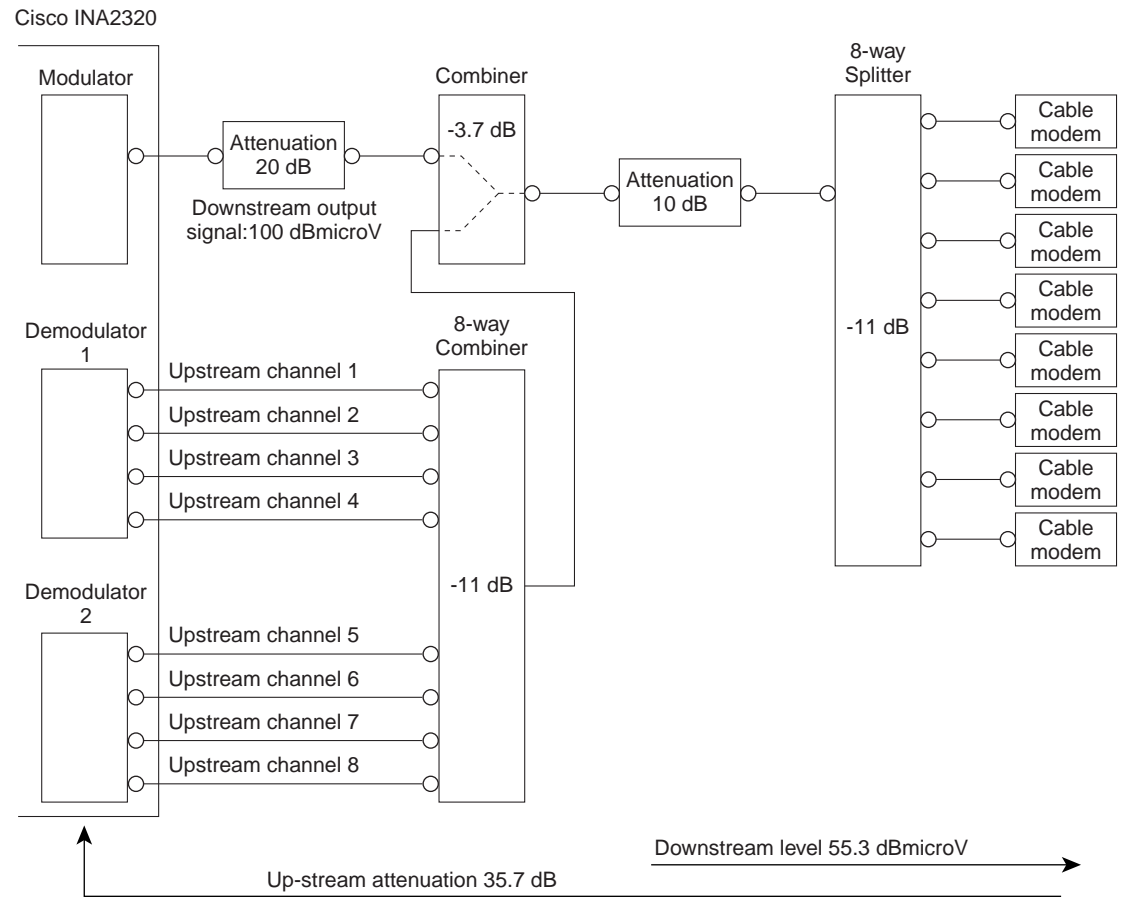




Laboratory Setup

Refer to Figure F-1 for an illustration of building blocks needed to set up a laboratory system.

Figure F-1 Building Blocks of a Laboratory System



Note: Attenuations and levels are nominal values

40558

