



# Route Switch Processor (RSP8) Installation and Configuration Guide

---

**Product Numbers:** RSP8=, CISC07507/8-MX, CISC07513/8-MX, CISC07507/8x2-MX, CISC07513/8x2-MX, MEM-RSP8-64M=, MEM-RSP8-128M=, MEM-RSP8-256M=, MEM-RSP8-FLC16M=, MEM-RSP8-FLC20M=, MEM-RSP8-FLC32M=, MEM-RSP8-FLD48M=, MEM-RSP8-FLD48M=, MEM-RSP8-FLD128M=

**Customer Order Number:** DOC-786586=

This document describes the Route Switch Processor (RSP8), an optional system processor for the Cisco 7507, Cisco 7507-MX, Cisco 7513, Cisco 7513-MX and Cisco 7576 routers. The RSP8 significantly increases the performance for most protocols and services over the RSP2 and RSP4/RSP4+.

The RSP8 supports the high system availability (HSA) feature, which allows two RSP8s (or an RSP8 and an RSP16) to be used in a Cisco 7507, Cisco 7507-MX, Cisco 7513, or Cisco 7513-MX router. See the [“Configuring High System Availability” section on page 25](#) for more information on HSA.

The RSP8 also supports high availability (HA), a series of features that operates similarly to HSA, but which further minimizes system downtime. (HSA is the system default.) For more information on HA, see the [“Enabling High Availability Features” section on page 41](#).

## Document Contents

This document contains the following sections:

- [Related Documentation, page 2](#)
- [Product Description, page 3](#)
- [Installation Prerequisites, page 10](#)
- [Installing the RSP8, page 16](#)
- [Configuring the Router for a Single RSP8, page 24](#)
- [Configuring High System Availability, page 25](#)
- [Enabling High Availability Features, page 41](#)
- [Monitoring and Maintaining the Active and Standby RSPs, page 64](#)



---

Corporate Headquarters:  
Cisco Systems, Inc., 170 West Tasman Drive, San Jose, CA 95134-1706 USA

Copyright © 2004 Cisco Systems, Inc. All rights reserved.

- [Troubleshooting the Installation](#), page 64
- [Maintenance Information](#), page 69
- [Reference Information](#), page 80
- [Obtaining Documentation](#), page 88
- [Obtaining Technical Assistance](#), page 89
- [Obtaining Additional Publications and Information](#), page 91

## Related Documentation

All of the documentation mentioned below is available online, on the Documentation CD-ROM, or as printed documents. For a complete list of documentation, refer to the *Cisco 7500 Series Router Documentation* flyer (part number DOC-7812955) that shipped with your RSP, or online at <http://www.cisco.com/univercd/cc/td/doc/product/core/cis7505/12955fly.htm>.

Your router and the Cisco IOS software running on it contain extensive features and functionality, which are documented in the following resources:

- Cisco IOS software:

For configuration information and support, refer to the Cisco IOS software configuration documentation set that corresponds to the software release installed on your Cisco hardware.



### Note

You can access Cisco IOS software configuration and hardware installation and maintenance documentation on the World Wide Web at <http://www.cisco.com>. Translated documentation is available at the following URL: [http://www.cisco.com/public/countries\\_languages.shtml](http://www.cisco.com/public/countries_languages.shtml).

- Cisco 7500 series routers:

For hardware installation and maintenance information, refer to the Quick Start Guide for your router, or refer to the *Cisco 7500 Installation and Configuration Guide* online at <http://www.cisco.com/univercd/cc/td/doc/product/core/cis7505/cicg7500/index.htm>.

- For international agency compliance, safety, and statutory information for WAN interfaces:
  - *Site Preparation and Safety Guide* at <http://www.cisco.com/univercd/cc/td/doc/product/lan/cat5000/hardware/safety/index.htm>
  - *Regulatory Compliance and Safety Information for the Cisco 7500 Series Routers* at <http://www.cisco.com/univercd/cc/td/doc/product/core/cis7505/4194pc75.htm>

- Flash Disk:

For Flash Disk information with the RSP8, refer to *Using the Flash Disk* available online at <http://www.cisco.com/univercd/cc/td/doc/product/core/7200vx/72vxfru/6452fd.htm>.

- Flash Memory Card:

For Flash memory card information, refer to *Flash Memory Card Installation Instructions* available online at <http://www.cisco.com/univercd/cc/td/doc/product/core/cis7505/frus/6476fc.htm>.

- To view Cisco documentation or obtain general information about the documentation, refer to the following sections:
  - [Cisco.com](#), page 88
  - [Obtaining Documentation](#), page 88

- [Ordering Documentation, page 89](#)
- [Documentation Feedback, page 89](#)
- [Obtaining Technical Assistance, page 89](#)
- [Obtaining Additional Publications and Information, page 91](#)

## Product Description

The topics discussed in this section are:

- [CPU, page 5](#)
- [Memory Components, page 6](#)
- [Jumpers, page 7](#)
- [LEDs, page 7](#)
- [PC Card Slots, page 8](#)
- [Serial Ports, page 8](#)
- [Specifications, page 9](#)
- [System Software, page 9](#)

The RSP8 supports the VIP2, VIP4 and the VIP6-80 in the Cisco 7505, Cisco 7507, Cisco 7507-MX, Cisco 7513, Cisco 7513-MX, and Cisco 7576 routers. (See [Figure 1](#) and [Figure 2](#).) The RSP8 is available as an upgrade to an existing RSP4, RSP2, or RSP1. The RSP8 contains the central processing unit (CPU) and most of the memory components for the router. The Cisco IOS software images reside in Flash memory, located on the RSP8:

- In the form of a single in-line memory module (SIMM) (U1 in [Figure 2](#))
- On up to two PC Cards (called Flash memory cards), or two Flash Disks, or a combination of PC Cards and Flash Disks that insert in the two PC Card slots (slot 0 and slot 1)



### Note

For the Cisco IOS releases that are supported on the RSP8, refer to the [“System Software” section on page 9](#) and to the Software Advisor at <http://www.cisco.com/cgi-bin/Support/CompNav/Index.pl>.

Storing the IOS software images in Flash memory enables you to download and boot from upgraded Cisco IOS software images remotely or from software images resident in the RSP8 Flash memory, without having to remove and replace read-only memory (ROM) devices.

The RSP8 also contains:

- Most of the additional memory components used by the system, including 16-d onboard Flash memory and up to two Flash memory cards (16-, 20-, or 32-MB Flash memory card, with a 20-MB Flash memory card being the shipping default).
- Air-temperature sensors for environmental monitoring. (All of the logic for the environmental monitoring functions is contained on the router interface card.)

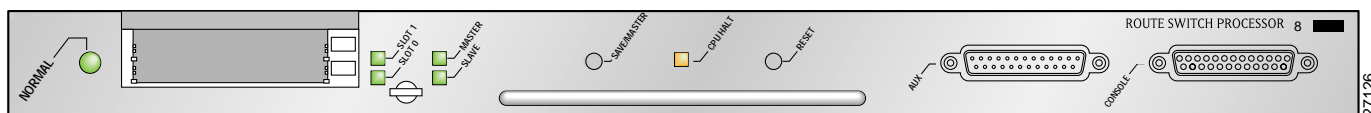
In addition to running the system software from DRAM, the RSP8 contains and executes the following management functions that control the system:

- Sending and receiving routing protocol updates
- Managing tables and caches

- Monitoring interface and environmental status
- Providing Simple Network Management Protocol (SNMP) management and the interface between the console and Telnet

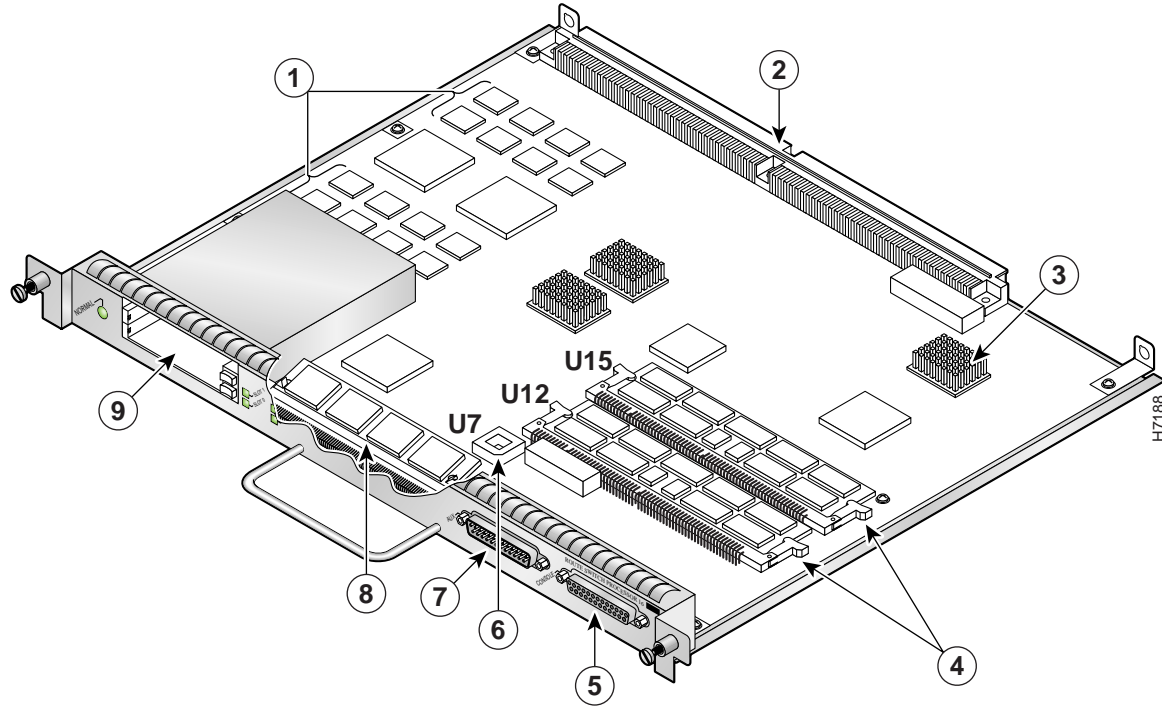
The high-speed switching section of the RSP8 communicates with and controls the interface processors on the high-speed CyBus. This switching section of the RSP8 decides the destination of a packet and switches it based on that decision.

Figure 1 RSP8—Horizontal Front-Panel View



**Note** The Standby/Active switch has been deactivated in software. The Reset button reboots the system.

Figure 2 RSP8 Components



1	MEMD SRAM	6	Flash EPROM (ROMmon)	U7
2	Bus connectors	7	Auxiliary port	
3	CPU	8	Flash memory SIMM holder	
4	DRAM DIMMs (bank 0: bottom) DRAM DIMMs (bank 1: top)	U12 U15	9	PC Card slot 0: bottom PC Card slot 1: top (for Flash Disks or Memory Cards)
5	Console port			

## CPU

The CPU used in the RSP8 is a 250-MHz R7000 with 256-KB Layer 2 cache.

## Memory Components

Table 1 shows the memory components on the RSP8.

Table 1 RSP8 Memory Components

Type	Size	Quantity	Description	Location
DRAM	64-MB <sup>1</sup> to 256-MB DIMMs	1 or 2	Any combination of 32-MB, 64-MB, or 128-MB DIMMs (based on DRAM required) for main Cisco IOS image functions	U12 or U12 and U15 <sup>2</sup>
SRAM <sup>3</sup>	8 MB (fixed)	–	SRAM for packet buffering functions (MEMD)	–
	2 MB (fixed)	–	SRAM for tertiary (L3) CPU cache memory functions	–
NVRAM	2 MB	1	Nonvolatile SRAM for the system configuration file <sup>4</sup>	–
Flash memory	16-MB SIMM	1	Contains the Cisco IOS images on the RSP8	U1
	16-, 20-, or 32-MB <sup>5</sup> Flash memory card	Up to 2	Contains the Cisco IOS images on up to two Flash memory cards	Slot 0, or slot 0 and slot 1
	48-, 64-, or 128-MB Flash Disk <sup>6</sup> (option)	Up to 2	Contains the Cisco IOS images on up to two Flash Disks	Slot 0, or slot 0 and slot 1
Flash boot ROM	16 MB	1	Flash EPROM for the ROM monitor program image	U7

- 64 MB of DRAM is the default DRAM configuration for the RSP8. The RSP8 is preconfigured with either two 32-MB DIMM or one 64-MB DIMM.
- Do not mix memory sizes. If installing 2 DIMMs, both DIMMs must be the same size. If your router includes redundant RSPs, the RSPs should have the same memory size.
- SRAM is not user-configurable or field-upgradable.
- A system configuration file is contained in NVRAM, which allows the Cisco IOS software to control several system variables.
- A 20-MB Flash memory card is the default shipping configuration for the RSP8 products.
- The Flash Disk is offered as an option under the RSP8. You can use a Flash Disk side-by-side with a Flash memory card.

### DRAM

DRAM stores routing tables, protocols, and network accounting applications and runs the Cisco IOS software. The standard (default) RSP8 configuration is 64 MB (preconfigured with either two 32-MB DIMMs or one 64-MB DIMM) of DRAM, with up to 256 MB available through DIMM upgrades. DRAM is contained in up to two DIMM sockets: U12 (also called bank 0) and U15 (also called bank 1). When upgrading DRAM, you must use DIMMs from Cisco. (Also see the [“Compatibility Requirements” section on page 13.](#))



#### Caution

To prevent memory problems, DRAM DIMMS must be 3.3-volt (V) devices. Do not attempt to install higher-voltage devices in the RSP8 DIMM sockets.

### SRAM

SRAM provides packet buffering and CPU cache memory functions. The standard RSP8 configuration is 8 MB of SRAM for packet buffering and 2 MB of tertiary (L3) CPU cache memory.

**Note**


---

SRAM is fixed and is *not* field-upgradable.

---

## NVRAM

The system configuration, software configuration register settings, and environmental monitoring logs are contained in the 2-MB NVRAM, which is backed up with built-in lithium batteries that retain the contents for a minimum of 5 years. When replacing an RSP8, be sure to back up your configuration to a remote server so you can retrieve it later.

**Caution**


---

Before you replace an RSP8 in a system with one RSP8, back up the running configuration to a Trivial File Transfer Protocol (TFTP) file server or to Flash memory so you can retrieve it later. If the configuration is not saved, the entire configuration will be lost—inside the NVRAM on the removed RSP8—and you will have to reenter the entire configuration manually. For instructions on how to save the configuration file, see the “[Saving and Retrieving a Configuration File](#)” section on page 69. This procedure is not necessary if you are temporarily removing an RSP8; lithium batteries retain the configuration in memory until you replace the RSP8 in the system.

---

## Flash Memory Cards and Flash Disks

Flash memory cards (formerly called PCMCIA cards) and Flash Disks allow you to remotely load and store multiple Cisco IOS software and microcode images. You can download a new image over the network or from a local server and then add the new image to Flash memory or replace the existing files. You can then boot routers either manually or automatically from any of the images stored in Flash memory. Flash memory also functions as a TFTP server to allow other servers to boot remotely from stored images or to copy them into their own Flash memory.

Flash memory cards are available in 16-, 20-, or 32-MB sizes. Flash memory cards can be used in the RSP8 second PC Card slot for additional space, or as a backup to the main Flash memory.

Flash Disks are an alternative to the Flash memory cards, with more storage capacity. Flash Disks are available in 48-MB, 64-MB or 128-MB sizes, and can be used in slot 0, slot 1, or slots 0 and 1. You can use the Flash Disk side-by-side with the Flash memory cards.

**Caution**


---

A flash memory card must be formatted on an RSP8 if you want it to work in an RSP8.

---

For a list of compatible software releases for the Flash memory card and Flash Disk, refer to the Software Advisor at <http://www.cisco.com/cgi-bin/Support/CompNav/Index.pl>.

## Jumpers

There are no user-configurable jumpers on the RSP8.

## LEDs

[Table 2](#) describes the operation of the LEDs found on the RSP8:

**Table 2** *RSP8 LEDs*

LED Label	Color	State	Indication
Normal <sup>1</sup>	Green	On	RSP is on and receiving +5V.
CPU halt <sup>1</sup>	Green	Off	RSP is operating normally.
	Yellow	On	Processor hardware failure has been detected.
Master	Green	On	RSP is an active (HSA/HA configuration required).
Slave	Green	On	RSP is a standby RSP (HSA/HA configuration required).
Slot 0 PC Card	Green	On	Flash Disk or PC Card in this slot is being accessed.
Slot 1 PC Card	Green	On	Flash Disk or PC Card in this slot is being accessed.

1. The RSP8 controls these LEDs and turns them on in parallel to indicate that the system is operational.

## PC Card Slots

The RSP8 has two PC Card slots available. Either slot can support a Flash memory card or a Flash Disk. Type I and Type II PC Cards can be used in PC Card slot 0 and slot 1. Type III PC Cards can be used in slot 1. Not all Flash memory cards or Flash Disks that are commercially available are supported.



### Note

Other Flash memory card or Flash Disk limitations might apply. For additional information, refer to the [“Related Documentation” section on page 2](#).

## Serial Ports

Two asynchronous serial ports on the RSP8, labeled *Console* and *Auxiliary*, allow you to connect external terminal devices to monitor and manage the system. The console port is an Electronics Industries Association/Telecommunications Industry Association (EIA/TIA)-232 receptacle (female) that provides a data circuit-terminating equipment (DCE) interface for connecting a console terminal.



### Note

EIA/TIA-232 was known as recommended standard RS-232 before its acceptance as a standard by the Electronic Industries Association (EIA) and Telecommunications Industry Association (TIA).

The auxiliary port is an EIA/TIA-232 plug (male) that provides a data terminal equipment (DTE) interface; the auxiliary port supports flow control and is often used to connect a modem, a channel service unit (CSU), or other optional equipment for Telnet management.



## Specifications

Table 3 lists the physical specifications for the RSP8:

**Table 3** RSP Specifications

Description	Specifications
Physical dimensions	The RSP8 occupies one RSP slot and can only be operated in a Cisco 7500 series or RSP7000-equipped Cisco 7000 series router.
Shipping weight	5 lb (2.25 kg)
Operating temperature	32 to 104°F (0 to 40°C)
Relative humidity	10 to 90 percent, noncondensing
Storage temperature	−4 to 149°F (−20 to 65°C)

## System Software

The Cisco 7507, Cisco 7507-MX, Cisco 7513, and Cisco 7513-MX routers support downloadable system software and microcode for most Cisco IOS and microcode upgrades. This enables you to remotely download, store, and boot from a new image. The publication *Upgrading Software and Microcode in Cisco 7000 Series and Cisco 7500 Series Routers* (DOC-781144=) provides instructions for upgrading over the network or from floppy disks. Flash memory contains the default system software image and bundled microcode images. Flash memory cards and Flash Disks are supported.

For the latest software release information, refer to the Software Advisor at <http://www.cisco.com/cgi-bin/Support/CompNav/Index.pl>.

At system startup, an internal system utility scans for compatibility problems between the installed interface processor types and the bundled microcode images. The utility then decompresses the images into running dynamic random-access memory (DRAM). The bundled microcode images then function the same as the EPROM images.

The Cisco IOS software images reside in Flash memory, which is located on the RSP8 in the form of a single in-line memory module (SIMM), on Flash memory cards, or on Flash Disks that insert in the two PC Card slots (slot 0 and slot 1) on the front of the RSP8. (See Figure 2.) Storing the Cisco IOS images in Flash memory enables you to download and boot from upgraded Cisco IOS images remotely or from software images resident in the RSP8 Flash memory.

Although no monitoring of voltage or temperature is done by the RSP8, a comparator device ensures that voltage is within the normal operating ranges, and three temperature sensors on the RSP8 send temperature information to the chassis interface (CI) card. The CI card reports all voltage and temperature readings, and these readings are available through standard software commands for environmental monitoring. The RSP8 uses a software-controlled configuration register, so you do not have to remove the RSP8 to configure jumpers. There are no user-configurable jumpers on the RSP8.

# Installation Prerequisites

Before beginning the installation procedures, review the following sections to ensure awareness of the appropriate regulatory and safety requirements, and to ensure that your RSP8 hardware functions properly with compatible components:

- [Safety Guidelines, page 10](#)
- [Compatibility Requirements, page 13](#)
- [List of Parts and Tools, page 15](#)



## Note

If you are replacing an existing RSP8, back up your current configuration file to a remote server before you remove the RSP8 to avoid having to reenter all your current configuration information manually. To back up the file, you need access to a remote TFTP server. See the [“Saving and Retrieving a Configuration File” section on page 69](#) for instructions for uploading the file to a TFTP server or saving it to Flash memory, and then retrieving it after the new RSP8 is installed.

## Safety Guidelines

Following are safety guidelines that you should follow when working with any equipment that connects to electrical power or telephone wiring.



## Warning

Only trained and qualified personnel should be allowed to install or replace this equipment.

## Safety Warnings



## Warning

This warning symbol means *danger*. You are in a situation that could cause bodily injury. Before you work on any equipment, be aware of the hazards involved with electrical circuitry and be familiar with standard practices for preventing accidents. To see translations of the warnings that appear in this publication, refer to the *Regulatory Compliance and Safety Information* document that accompanied this device.

## Waarschuwing

Dit waarschuwingssymbool betekent gevaar. U verkeert in een situatie die lichamelijk letsel kan veroorzaken. Voordat u aan enige apparatuur gaat werken, dient u zich bewust te zijn van de bij elektrische schakelingen betrokken risico's en dient u op de hoogte te zijn van standaard maatregelen om ongelukken te voorkomen. Voor vertalingen van de waarschuwingen die in deze publicatie verschijnen, kunt u het document *Regulatory Compliance and Safety Information* (Informatie over naleving van veiligheids- en andere voorschriften) raadplegen dat bij dit toestel is ingesloten.

## Varoitus

Tämä varoitusmerkki merkitsee vaaraa. Olet tilanteessa, joka voi johtaa ruumiinvammaan. Ennen kuin työskentelet minkään laitteiston parissa, ota selvää sähkökytkentöihin liittyvistä vaaroista ja tavanomaisista onnettomuuksien ehkäisykeinoista. Tässä julkaisussa esiintyvien varoitusten käännökset löydät laitteen mukana olevasta *Regulatory Compliance and Safety Information* -kirjastesta (määräysten noudattaminen ja tietoa turvallisuudesta).

Attention	<p>Ce symbole d'avertissement indique un danger. Vous vous trouvez dans une situation pouvant causer des blessures ou des dommages corporels. Avant de travailler sur un équipement, soyez conscient des dangers posés par les circuits électriques et familiarisez-vous avec les procédures couramment utilisées pour éviter les accidents. Pour prendre connaissance des traductions d'avertissements figurant dans cette publication, consultez le document <i>Regulatory Compliance and Safety Information</i> (Conformité aux règlements et consignes de sécurité) qui accompagne cet appareil.</p>
Warnung	<p>Dieses Warnsymbol bedeutet Gefahr. Sie befinden sich in einer Situation, die zu einer Körperverletzung führen könnte. Bevor Sie mit der Arbeit an irgendeinem Gerät beginnen, seien Sie sich der mit elektrischen Stromkreisen verbundenen Gefahren und der Standardpraktiken zur Vermeidung von Unfällen bewußt. Übersetzungen der in dieser Veröffentlichung enthaltenen Warnhinweise finden Sie im Dokument <i>Regulatory Compliance and Safety Information</i> (Informationen zu behördlichen Vorschriften und Sicherheit), das zusammen mit diesem Gerät geliefert wurde.</p>
Avvertenza	<p>Questo simbolo di avvertenza indica un pericolo. La situazione potrebbe causare infortuni alle persone. Prima di lavorare su qualsiasi apparecchiatura, occorre conoscere i pericoli relativi ai circuiti elettrici ed essere al corrente delle pratiche standard per la prevenzione di incidenti. La traduzione delle avvertenze riportate in questa pubblicazione si trova nel documento <i>Regulatory Compliance and Safety Information</i> (Conformità alle norme e informazioni sulla sicurezza) che accompagna questo dispositivo.</p>
Advarsel	<p>Dette varselsymbolet betyr fare. Du befinner deg i en situasjon som kan føre til personskade. Før du utfører arbeid på utstyr, må du være oppmerksom på de faremomentene som elektriske kretser innebærer, samt gjøre deg kjent med vanlig praksis når det gjelder å unngå ulykker. Hvis du vil se oversettelser av de advarslene som finnes i denne publikasjonen, kan du se i dokumentet <i>Regulatory Compliance and Safety Information</i> (Overholdelse av forskrifter og sikkerhetsinformasjon) som ble levert med denne enheten.</p>
Aviso	<p>Este símbolo de aviso indica perigo. Encontra-se numa situação que lhe poderá causar danos físicos. Antes de começar a trabalhar com qualquer equipamento, familiarize-se com os perigos relacionados com circuitos eléctricos, e com quaisquer práticas comuns que possam prevenir possíveis acidentes. Para ver as traduções dos avisos que constam desta publicação, consulte o documento <i>Regulatory Compliance and Safety Information</i> (Informação de Segurança e Disposições Reguladoras) que acompanha este dispositivo.</p>
¡Advertencia!	<p>Este símbolo de aviso significa peligro. Existe riesgo para su integridad física. Antes de manipular cualquier equipo, considerar los riesgos que entraña la corriente eléctrica y familiarizarse con los procedimientos estándar de prevención de accidentes. Para ver una traducción de las advertencias que aparecen en esta publicación, consultar el documento titulado <i>Regulatory Compliance and Safety Information</i> (Información sobre seguridad y conformidad con las disposiciones reglamentarias) que se acompaña con este dispositivo.</p>
Varning!	<p>Denna varningssymbol signalerar fara. Du befinner dig i en situation som kan leda till personskada. Innan du utför arbete på någon utrustning måste du vara medveten om farorna med elkretsar och känna till vanligt förfarande för att förebygga skador. Se förklaringar av de varningar som förekommer i denna publikation i dokumentet <i>Regulatory Compliance and Safety Information</i> (Efterrättelse av föreskrifter och säkerhetsinformation), vilket medföljer denna anordning.</p>

## Electrical Equipment Guidelines

Follow these basic guidelines when working with any electrical equipment:

- Before beginning any procedures requiring access to the chassis interior, locate the emergency power-off switch for the room in which you are working.
- Disconnect all power and external cables before moving a chassis.
- Do not work alone when potentially hazardous conditions exist.
- Never assume that power has been disconnected from a circuit; always check.
- Do not perform any action that creates a potential hazard to people or makes the equipment unsafe.
- Carefully examine your work area for possible hazards such as moist floors, ungrounded power extension cables, and missing safety grounds.

## Telephone Wiring Guidelines

Use the following guidelines when working with any equipment that is connected to telephone wiring or to other network cabling:

- Never install telephone wiring during a lightning storm.
- Never install telephone jacks in wet locations unless the jack is specifically designed for wet locations.
- Never touch uninsulated telephone wires or terminals unless the telephone line has been disconnected at the network interface.
- Use caution when installing or modifying telephone lines.

## Preventing Electrostatic Discharge Damage

Electrostatic discharge (ESD) damage, which can occur when electronic cards or components are improperly handled, can result in complete or intermittent failures. Each processor module contains a printed circuit card that is fixed in a metal carrier.

Electromagnetic interference (EMI) shielding, connectors, and a handle are integral components of the carrier. Although the metal carrier helps to protect the board from ESD, use an ESD-preventive wrist or ankle strap whenever you handle any electronic system component.

Following are guidelines for preventing ESD damage:

- Always use an ESD-preventive wrist or ankle strap and ensure that it makes good skin contact.
- When you work at the interface processor end of the router, connect the equipment end of the strap to the captive installation screw on an installed interface processor, or to the chassis grounding receptacle that is located next to each power supply.
- When you install a processor module, use the ejector levers to properly seat the bus connectors in the backplane, and then tighten both captive installation screws. These screws prevent accidental removal, provide proper grounding for the system, and help to ensure that the bus connectors are seated in the backplane.
- Handle processor modules by the carrier handles and carrier edges only; never touch the board or any connector pins.

- When you remove a processor module, place it component-side-up on an antistatic surface or in a static shielding bag. Immediately place the module in a static shielding bag if you need to return it to the factory.
- Avoid contact between electronic equipment and clothing. Antistatic straps only protect the equipment from ESD voltages on the body; ESD voltages on clothing can still cause damage.

**Caution**

For safety, periodically check the resistance value of the antistatic strap. The measurement should be between 1 and 10 megohms (Mohms).

## Compatibility Requirements

This section describes compatibility requirements for the RSP8.

### Chassis Slot and DRAM Requirements

Following are chassis slot and DRAM requirements for ensuring RSP8 compatibility.

- There are no restrictions on installing an RSP8 in a Cisco 7505, however, the Cisco 7505 does not support the HSA or the HA features.
- There are no restrictions on installing an RSP8 in a Cisco 7507 or Cisco 7507-MX provided that you install the RSP8 in slot 2, slot 3, or both. With the HSA or HA features enabled, you will install an RSP8 (or an RSP8 and an RSP16) in both RSP slots.
- There are no restrictions on installing an RSP8 in a Cisco 7513 or Cisco 7513-MX provided that you install the RSP8 in slot 6, slot 7, or both. With the HSA or HA features enabled, you will install an RSP8 (or an RSP8 and an RSP16) in both RSP slots.
- There are no restrictions on installing an RSP8 in a Cisco 7576 provided that you install the RSP8 in slot 6 (for router A) and slot 7 (for router B). (The Cisco 7576 does not support the HSA or HA features.)
- It is assumed that if you install two RSP8s (or an RSP8 and an RSP16) in the Cisco 7507, Cisco 7507-MX, Cisco 7513, or Cisco 7513-MX, you plan to enable and configure the HSA or HA features.

### Memory Requirements

Flash memory cards, Flash Disks, and DRAM DIMMs must meet the following requirements:

- Flash memory cards, Flash Disks, and DRAM DIMMs must be obtained from Cisco Systems. See the [“PC Card Slots” section on page 8](#) for additional information on supported PC Cards.
- Maximum DRAM speed is 60 nanoseconds (ns), maximum DIMM height is 1 inch (2.54 centimeters), and maximum DRAM DIMM voltage is 3.3 volts (V).
- You cannot use a Flash memory card or a Flash Disk that was formatted on another RSP-based system, such as the RSP7000, RSP1, RSP2, or RSP4, which is running a boot or Cisco IOS software image earlier than:
  - 12.0(5)T or a later release of Cisco IOS Release 12.0 T
  - 12.0(9)S or a later release of Cisco IOS Release 12.0 S

- 12.1(0) or a later release of Cisco IOS Release 12.1
- 12.1(2)E or a later release of Cisco IOS Release 12.1 E

**Note**

You can reboot from a Flash memory card or Flash Disk in the RSP8 that was previously formatted on an RSP4+.

- You *must* first reformat the Flash memory card or Flash Disk on an RSP8, that was previously formatted on one of these other RSP-based systems, *before* you can use it as a boot or storage source with the RSP8. Refer to [Flash Memory Card Installation Instructions](#) (part number DOC-782083=) for instructions on reformatting a Flash memory card. Refer to [Using the Flash Disk](#) (part number DOC-785819=) for instruction on reformatting a Flash Disk.

## Software Prerequisites

The minimum supported Cisco IOS release compatible with the RSP8 is release 12.0(5)T or a later release of Cisco IOS release 12.0 T. For the latest compatible software releases, refer to the Software Advisor at <http://www.cisco.com/cgi-bin/Support/CompNav/Index.pl>.

**Note**

The 32-MB Flash memory card is compatible with Cisco IOS Release 12.1(5)T1 or a later release of 12.1 T.

Use the **show version** and **show hardware** commands to display the router's current hardware and software configurations. The **show microcode** command lists the bundled microcode (and target hardware) version for each processor type. The **show controller cbus** command shows the microcode version you are running. The **show diagbus** command shows the RSP8 board's hardware version and revision.

For additional descriptions of **show** commands, refer to the *Configuration Fundamentals Configuration Guide* and *Configuration Fundamentals Command Reference* publications, which are available online, on the Documentation CD-ROM, or as printed documents.

**Note**

If the required system software and microcode are not available in your system, contact a customer service representative for upgrade information. (To obtain assistance, see the [“Obtaining Technical Assistance”](#) section on page 89.)

## Hardware Prerequisites

Your router's configuration, protocols and features might require more than the 64 MB of DRAM that is shipped with the RSP8. To upgrade DRAM, see the [“Replacing and Upgrading DRAM DIMMs”](#) section on page 74.

To ensure proper operation of a system configured for HSA or HA, note the guidelines below:

- With HSA and HA, the RSP8 can interoperate with another RSP8, or with an RSP16.
- To ensure that the standby RSP8 operates properly, the active and the standby RSP8 (or the RSP8 and the RSP16) should have the same DRAM configuration and boot ROM version.
- Removing the active RSP8 while the system is operating might cause the system to crash; however, the system reloads with the standby RSP8 as the new active RSP8. To prevent system problems, *do not* remove the active RSP8 while the system is operating.

**Caution**

Before using a Flash memory card previously formatted and used in an RSP, RSP7000, RSP1, RSP2, or RSP4, you *must* reformat the Flash memory card. Flash memory cards formatted on any of these processors do not work properly in an RSP8. You must *first* reformat it on your RSP8 system. Refer to [Flash Memory Card Installation Instructions](#) for instructions on reformatting Flash memory.

You must also format any flash disk for the RSP8 on an RSP8. Also see the [Using the Flash Disk](#) document.

## Microcode Requirements

Microcode is a set of processor-specific software instructions that enables and manages the features and functions of a specific processor type. At system startup or reload, the system loads the microcode for each processor type present in the system. The latest available microcode image for each processor type is bundled and distributed with the system software image.

**Note**

Overriding the bundle can result in incompatibility among the various interface processors in the system. We recommend that you use *only* the microcode image that is bundled.

## List of Parts and Tools

You need some or all of the following parts and tools to install, remove, and replace an RSP8 or to upgrade DRAM. If you need additional equipment, contact a customer service representative for ordering information.

- An RSP8-related product listed in the “[Product Description](#)” section on page 3.
- DRAM DIMMS that are described in the “[Replacing and Upgrading DRAM DIMMs](#)” section on page 74. (Also see the “[Compatibility Requirements](#)” section on page 13.)

**Caution**

To prevent memory problems, DRAM DIMMS must be 3.3-volt (V) devices. Do not attempt to install higher-voltage devices in the RSP8 DIMM sockets.

- Number 1 Phillips screwdriver and a number 2 Phillips or 3/16-inch flat-blade screwdriver for the captive installation screws that secure the RSP8 in its slot.
- ESD-prevention equipment or the disposable ESD-preventive wrist strap included with all spares and upgrade kits.
- Antistatic mat, foam pad, or bag for the removed RSP8 (place the removed RSP8 in an antistatic bag if you plan to return it to the factory, or on an antistatic mat or foam if you are replacing components and will reinstall the RSP8).

## Installing the RSP8

Before you begin, be sure that your system meets the minimum software, hardware, and microcode requirements described in the [“Compatibility Requirements” section on page 13](#).

This section includes the following procedures for installing or replacing an RSP8:

- [Removing the RSP8, page 16](#)
- [Replacing the RSP8, page 18](#)
- [Connecting a Console Terminal, page 20](#)
- [Connecting to the Auxiliary Port, page 20](#)
- [Using the Y-Cables for Console and Auxiliary Connections, page 20](#)
- [Restarting the System, page 21](#)

After the new RSP8 is secure, follow the procedures in the [“Troubleshooting the Installation” section on page 64](#) to verify that it is installed and functioning properly.

## Removing the RSP8



### Caution

Removing the only installed RSP8 from a system while the system is operating will cause the system to crash. Consider this before removing an RSP8 while the system is operating. To ensure that the standby RSP8 operates properly with the full system configuration should the active RSP8 ever fail, the standby RSP8 must have the same (or higher) DRAM and Flash memory capacity as the active RSP8. See the [“Memory Components” section on page 6](#) for RSP8 memory component requirements.



### Note

The carriers on processor modules have electromagnetic interference (EMI) fences for EMI shielding; therefore, they fit very tightly in the chassis slots. To ensure that you can properly remove or install an RSP8 in RSP slot 7 from the Cisco 7513 router, we recommend that you proceed as follows: first remove an interface processor installed in slot 8, remove or install the RSP8 in RSP slot 7 (and fasten its captive installation screws as appropriate), and then reinstall the interface processor in slot 8.

When you remove or install the RSP8, be sure to use the ejector levers, which help to ensure that the RSP8 is fully inserted in the backplane or fully dislodged from it. An RSP8 that is only partially connected to the backplane can halt the system unless a second RSP8 is installed.

[Figure 3](#) shows the ejector lever mechanism. When you simultaneously push the ejector levers inward (toward the carrier handle), the levers push the RSP8 into the slot and ensure that the board connectors are fully seated in the backplane.

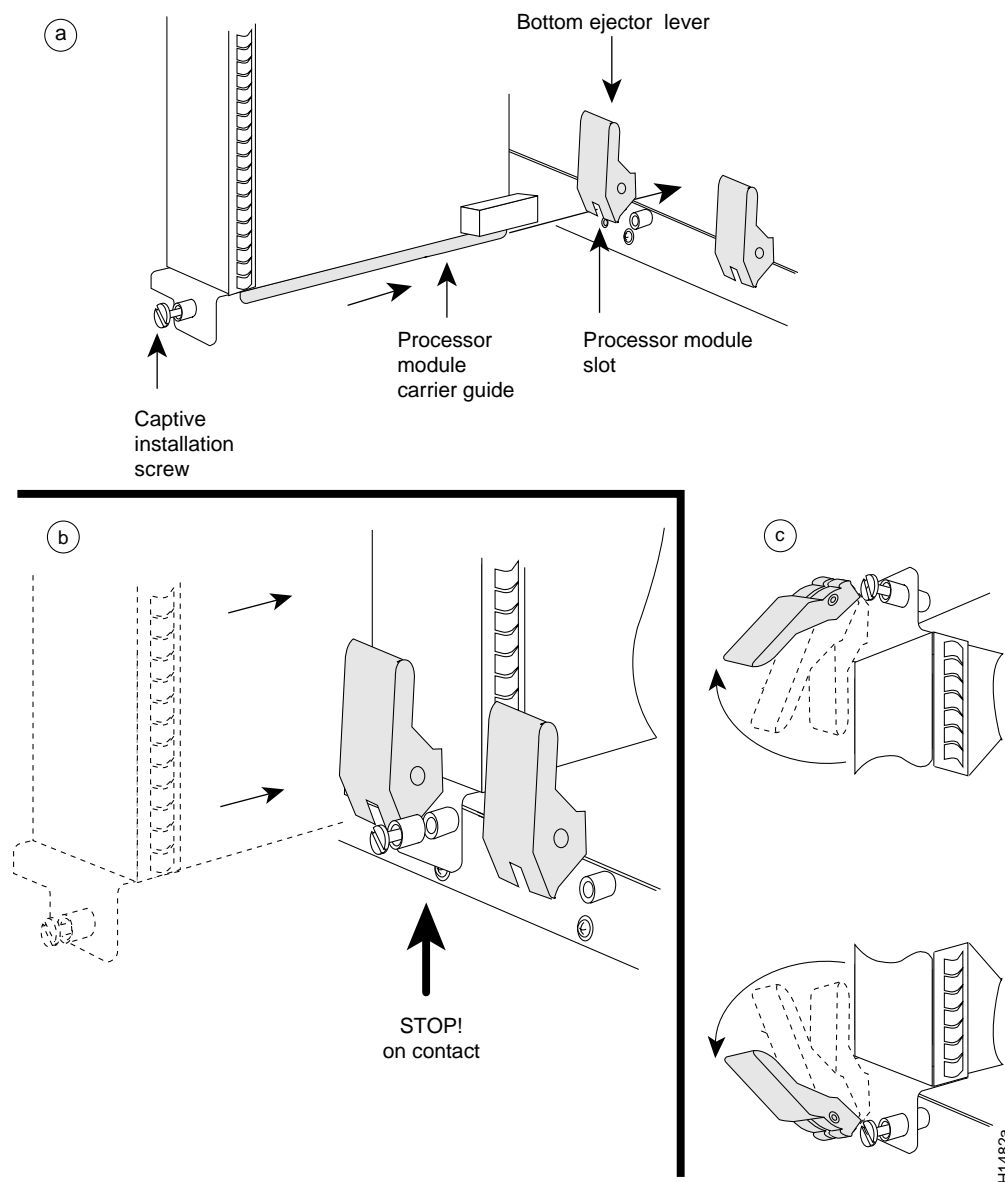
To remove the RSP8, complete the following steps:

- Step 1** (Optional) If you are replacing the RSP8 in a system with one RSP8, copy the currently running configuration file to a TFTP server so you can retrieve it later. (See the [“Saving and Retrieving a Configuration File” section on page 69](#).)
- Step 2** Attach an antistatic strap to yourself and then connect the equipment end of the strap to a captive installation screw on an installed interface processor, or to any unfinished chassis surface.



- Step 3** If you are replacing the RSP8, disconnect any devices that are attached to the console or auxiliary ports. If you are removing the RSP8 for maintenance and will reinstall the same one, you can leave the devices attached provided that doing so will not strain the cables.
- Step 4** Use a screwdriver to loosen the two captive installation screws. (See [Figure 3](#).)
- Step 5** Place your thumbs on the ends of each of the ejector levers and simultaneously pull them both outward, away from the carrier handle (as shown in the illustration at the bottom of [Figure 3c](#)) to release the carrier from the slot and to dislodge the RSP8 from the backplane.
- Step 6** Grasp the handle of the RSP8 with one hand and pull the RSP8 straight out of the slot, keeping your other hand under the carrier to guide it. (See [Figure 4](#).) Keep the carrier parallel to the backplane. Avoid touching the board or any connector pins.

**Figure 3** Ejector Levers and Captive Installation Screw



- Step 7** Place the removed RSP8 on an antistatic mat or foam. If you plan to return the RSP8 to the factory, immediately place it in an antistatic bag to prevent ESD damage.
- Step 8** Attach the equipment end of the ESD-preventive strap to the RSP8 before performing any maintenance on the RSP8 that might create an ESD hazard.
- 

This completes the removal procedure. If you removed the RSP8 to replace DIMMs, proceed to the [“Replacing and Upgrading DRAM DIMMs” section on page 74](#). If you are replacing the RSP8, proceed to the next section to install the new RSP8.

## Replacing the RSP8



### Caution

Removing the only installed RSP8 from a system while the system is operating will cause the system to crash. Consider this before removing an RSP8 while the system is operating. To ensure that the standby RSP8 operates properly with the full system configuration should the active RSP8 ever fail, the standby RSP8 must have the same (or higher) DRAM and Flash memory capacity as the active RSP8. See the [“Memory Components” section on page 6](#) for RSP8 memory component requirements.

---



### Note

The carriers on processor modules have electromagnetic interference (EMI) fences for EMI shielding; therefore, they fit very tightly in the chassis slots. To ensure that you can properly remove or install an RSP8 in RSP slot 7 from the Cisco 7513 router, we recommend that you proceed as follows: first remove an interface processor installed in slot 8, remove or install the RSP8 in RSP slot 7 (and fasten its captive installation screws as appropriate), and then reinstall the interface processor in slot 8.

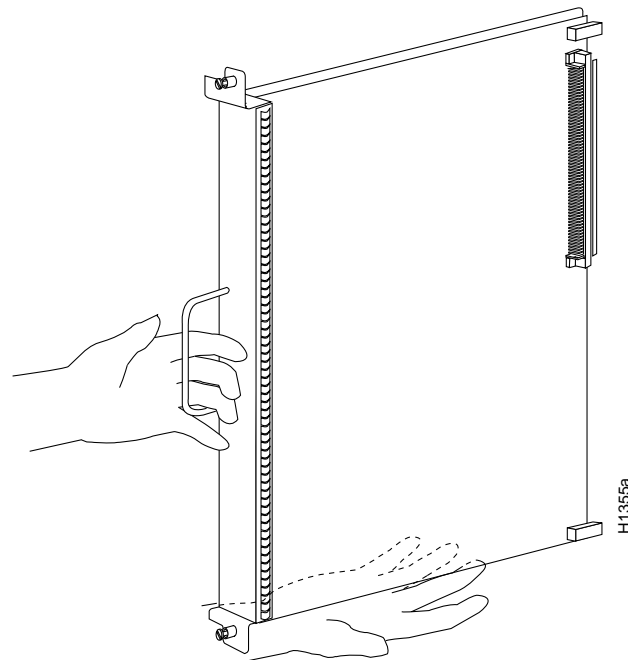
---

The RSP8 is keyed for installation only in an RSP slot. By default, the active RSP is the one that occupies the first RSP slot in the router: slot 2 in the Cisco 7507 and Cisco 7507-MX, and slot 6 in the Cisco 7513 and Cisco 7513-MX.

To install an RSP8, complete the following steps:

- Step 1** Grasp the RSP8 handle with one hand and place your other hand under the carrier to support and guide it into the slot. (See [Figure 4](#).) Avoid touching the board or any connectors.
- Step 2** Place the back of the RSP8 in the appropriate RSP slot and align the notches along the edge of the carrier with the grooves in the slot. (See [Figure 3a](#).)

**Figure 4 Handling the RSP8 During Removal and Installation**



**Caution**

To prevent damage to the backplane, you must install the RSP8 in one of the two RSP slots on the router. The slots are keyed for correct installation. Forcing the RSP8 into a different slot can damage the backplane and the RSP8.

- Step 3** While keeping the RSP8 parallel to the backplane, carefully slide the carrier into the slot until the RSP8 faceplate makes contact with the ejector levers, and then *stop*. (See [Figure 3b](#).)
- Step 4** Using the thumb and forefinger of each hand to pinch each ejector lever, simultaneously push both ejector levers inward (toward the handle) until they are parallel to the faceplate. (See [Figure 3c](#).)
- Step 5** Use a screwdriver to tighten the captive installation screws on the ends of the RSP8. (See [Figure 3a](#).)
- Step 6** Use a screwdriver to tighten the two captive installation screws on the RSP8 faceplate to prevent the RSP8 from becoming partially dislodged from the backplane and to ensure proper EMI shielding. (These screws must be tightened to meet EMI specifications.)
- Step 7** If you disconnected the console terminal to remove the RSP8, or if you are installing a new RSP8, connect the console terminal to the console port. (See the [“Connecting a Console Terminal”](#) section on [page 20](#).)
- Step 8** Ensure that a console terminal is connected (see the [“Connecting a Console Terminal”](#) section on [page 20](#)) and that it is turned on.
- Step 9** Turn the system power back on, and proceed to the [“Restarting the System”](#) section on [page 21](#) to check the installation.

This completes the procedure for replacing the RSP8.

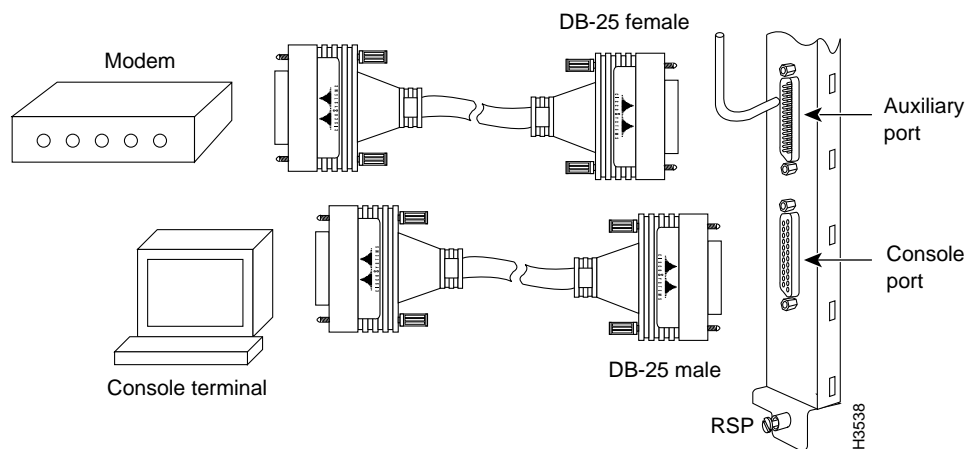
## Connecting a Console Terminal

The system console port on the RSP8 is a DB-25 receptacle DCE port for connecting a console terminal, which you need to configure in order to communicate with your system. The console port is located on the RSP8 just below the auxiliary port, as shown in [Figure 5](#), and is labeled *Console*.

Before connecting the console port, check the documentation for your terminal to determine the baud rate of the terminal you are using. The baud rate of the terminal must match the default baud rate (9600 baud). Set up the terminal as follows: 9600 baud, 8 data bits, no parity, and 2 stop bits (9600,8N2).

Use the console cable provided to connect the terminal to the console port on the RSP8, and then follow the steps in the [“Restarting the System”](#) section on page 21.

**Figure 5** Console and Auxiliary Port Connections



### Note

The console and auxiliary ports are asynchronous serial ports; any devices connected to these ports must be capable of asynchronous transmission. (Asynchronous is the most common type of serial device; for example, most modems are asynchronous devices.)

## Connecting to the Auxiliary Port

The auxiliary port on the RSP8 is a DB-25 plug DTE port for connecting a modem or other DCE device (such as a channel service unit [CSU], data service unit [DSU], or other router) to the router. The port is located next to the console port on the RSP8 and is labeled *AUX*. An example of a modem connection is shown in [Figure 5](#).

## Using the Y-Cables for Console and Auxiliary Connections

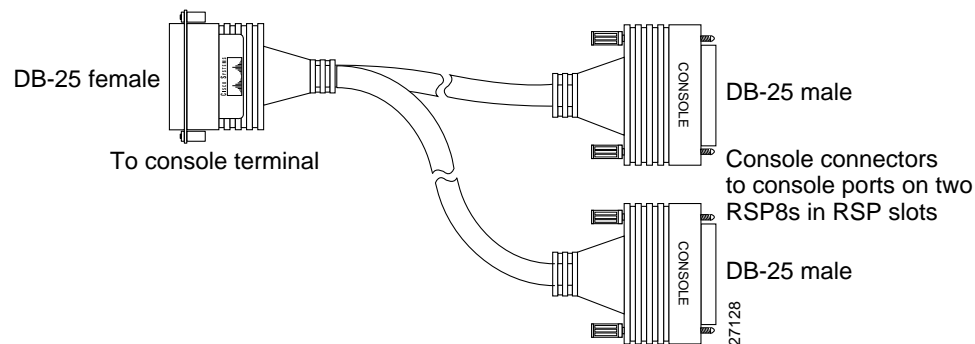
For systems with two RSP8s installed and the HSA or the HA feature enabled, you can connect to either the console or auxiliary ports simultaneously on both RSPs using a special, optional Y-cable. If only one RSP8 is installed, it is the system active by default.

**Note**

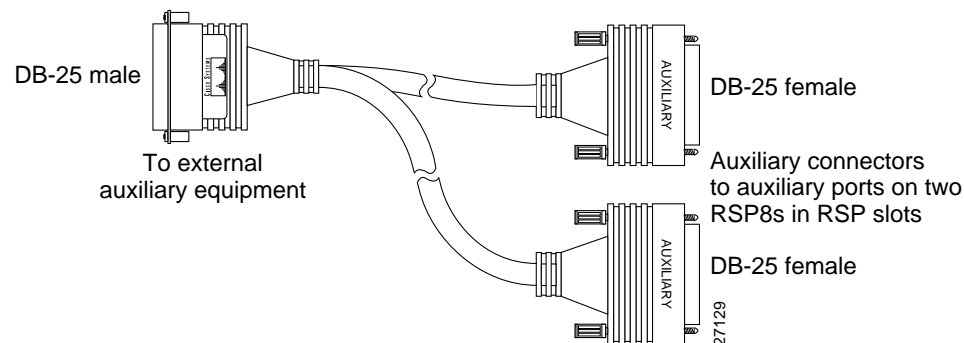
The Y-cables are not *required*; two individual console cables and two individual auxiliary cables can be used instead.

Figure 6 shows the console Y-cable and Figure 7 shows the auxiliary Y-cable.

**Figure 6 Console Y-Cable (Part Number CAB-RSP8CON=)**



**Figure 7 Auxiliary Y-Cable (Part Number CAB-RSP8AUX=)**



## Restarting the System

When you turn the system power back on, verify that the system boots and resumes normal operation. If you are restarting the system after upgrading the DRAM, expect that it will take the system longer to complete the memory initialization portion of the boot sequence with more DRAM. (See the [“Verifying System Startup Sequence”](#) section on page 66.)

Follow these steps to verify that the RSP8 is installed and functioning properly:

- 
- Step 1** Check the RSP8 connections to make sure they are secure:
- The RSP8 is inserted all the way into its slot, and both captive installation screws are tightened.
  - The console terminal is turned on and is connected to the console port.
- Step 2** Observe the RSP8 LEDs. While the system initializes, the CPU halt LED on the RSP8 stays on. It goes off when the boot process is complete. As the RSP8 initializes each interface processor, the status LEDs on each interface processor go on and off in irregular sequence.

**Step 3** For a Cisco 7507, Cisco 7507-MX, Cisco 7513, or Cisco 7513-MX with HSA or HA configured, verify that the console terminal displays the system banner and startup screen as the system restarts.

- The active console display should look similar to the following for a Cisco 7513 and Cisco 7513-MX (note the RSP slots indicated):

```
System Bootstrap, Version 11.1, RELEASED SOFTWARE
Copyright (c) 1986-1999 by cisco Systems, Inc.
SLOT 6 RSP8 is system master
SLOT 7 RSP8 is system slave
RSP8 processor with 128 Mbytes of main memory

[additional displayed text omitted from this example]

Cisco Internetwork Operating System Software
IOS (tm) RSP Software (RSP-JSV-M), Version 11.1 [biff 51096]
Copyright (c) 1986-1999 by cisco Systems, Inc.
Compiled Mon 22-Sep-99 21:15 by biff
Image text-base: 0x600108A0, data-base: 0x607B8000

cisco RSP8 (R7000) processor with 131072K/8216K bytes of memory.
R7000 CPU at 250Mhz, Implementation 39, Rev 1.0, 256KB L2, 2048KB L3 Cache

[additional displayed text omitted from this example]

2043K bytes of non-volatile configuration memory.

Slave in slot 7 is halted.

[additional displayed text omitted from this example]
```

- The active console display should look similar to the following for a Cisco 7507 and Cisco 7507-MX (note the RSP slots indicated):

```
System Bootstrap, Version 11.1, RELEASED SOFTWARE
Copyright (c) 1986-1999 by cisco Systems, Inc.
SLOT 2 RSP8 is system master
SLOT 3 RSP8 is system slave
RSP8 processor with 128 Mbytes of main memory

[additional displayed text omitted from this example]

Slave in slot 3 is halted.
```

**Step 4** With a single RSP8 (non-HSA or non-HA), verify that the console terminal displays the system banner and startup screen as the system restarts. The display should look similar to the following:

```
System Bootstrap, Version 11.1, RELEASED SOFTWARE
Copyright (c) 1986-1999 by cisco Systems, Inc.
SLOT 6 RSP8 is system master
RSP8 processor with 128 Mbytes of main memory

[additional displayed text omitted from this example]
```

**Step 5** After the system boots the software and initializes the interface processors, verify that the RSP8 LEDs are in the following states:

- RSP8 normal LED is on (for each RSP8 installed).
- CPU halt LED is off (for each RSP8 installed).
- Master RSP8 active LED is on (if HSA or HA is configured).
- Standby RSP8 standby LED is on (if HSA or HA is configured).

- Step 6** Verify that all the enabled LEDs (on the interface processors) are on.
- Step 7** In systems with a second RSP8 installed (and HSA or HA configured), use the **show version** command to verify that the standby RSP8 is recognized by the system. Following is a sample from a Cisco 7513:

```
Router> show version
```

```
Cisco Internetwork Operating System Software
IOS (tm) RSP Software (RSP-JSV-M), Version 11.1 [biff 51096]
Copyright (c) 1986-1999 by cisco Systems, Inc.
Compiled Mon 22-Sep-99 21:15 by biff
Image text-base: 0x600108A0, data-base: 0x607B8000
```

```
[additional displayed text omitted from this example]
```

```
Slave in slot 7 is running Cisco Internetwork Operating System Software
```

(Note that this could also be “slot 6” depending on which RSP is configured as the standby or the recent crash history of your router.)

When you have verified all the conditions in [Step 2](#) through [Step 6](#) (or [Step 7](#) if you have a second RSP8 installed and want to use the HSA or HA features), the installation is complete. If you replaced the RSP8 and saved your configuration file to a remote server before doing so, see the [“Retrieving the Configuration File” section on page 73](#). If you replaced the RSP8 and did not save the configuration, use the **configure** command or the setup facility to reenter the configuration information.

An error condition exists if no LEDs go on at power up or after initialization, or if the CPU halt LED go on and remain on. If this happens, proceed to the [“Troubleshooting the Installation” section on page 64](#) to try to isolate the problem.

For more complete configuration information, refer to the *Configuration Fundamentals Configuration Guide* and the *Configuration Fundamentals Command Reference* publications, which are available online, on the Documentation CD-ROM, or as printed documents.

If you have a second RSP8 installed, you must configure the HSA (or HA, if you prefer) features for your Cisco 7507, Cisco 7507-MX, Cisco 7513, or Cisco 7513-MX router. Read the following caution, and then proceed to the [“Configuring High System Availability” section on page 25](#), or the [“Enabling High Availability Features” section on page 41](#).



**Caution**

When you install a second RSP8 card for the first time and plan to enable the HSA or HA features, you *must* immediately configure it correctly. See the [“Configuring High System Availability” section on page 25](#), or the [“Enabling High Availability Features” section on page 41](#). This ensures that the new standby is configured consistently with the active. Failure to do so might result in an unconfigured standby RSP8 (or RSP16) taking over control of the router when the active fails, rendering the network inoperable.

This completes the procedure for restarting the system.

# Configuring the Router for a Single RSP8

If you have a single RSP8, you can configure your system according to the Cisco IOS release appropriate for your router. See the Cisco IOS software configuration documentation set that corresponds to the software release installed on your Cisco hardware at

<http://www.cisco.com/univercd/cc/td/doc/product/software/index.htm>.

If you have more than one RSP8 (or an RSP8 and an RSP16), and you are using a Cisco 7507 or a Cisco 7507-MX router or a Cisco 7513 or a Cisco 7513-MX router, you must configure your router for either high system availability (HSA), the default (see the “[Configuring High System Availability](#)” section on page 25), or high availability (HA) (see the “[Enabling High Availability Features](#)” section on page 41).

## Using the EXEC Command Interpreter

Before you configure your system using the EXEC-level commands, you must enter the privileged level of the EXEC command interpreter using the **enable** command. The system prompts you for a password if one has been set. The system prompt for the privileged EXEC level ends with a pound sign (#) instead of an angle bracket (>).

At the console terminal, enter the privileged EXEC level as follows:

- 
- Step 1** At the EXEC prompt (>), use the **enable** command. The EXEC command interpreter prompts you for a privileged-level password, as follows:

```
Router> enable
```

```
Password:
```

- Step 2** Type the password (the password is case sensitive). For security purposes, the password is not displayed.

- Step 3** When you specify the correct password, the system displays the privileged-level system prompt (#) as follows:

```
Router#
```

The pound sign (#) at the system prompt indicates the privileged level of the EXEC command interpreter, from which you can execute EXEC-level commands.

---

This completes the procedure for using the EXEC command interpreter.

For configuration information and support, refer to the Cisco IOS software configuration documentation set that corresponds to the software release installed on your Cisco hardware.

**Note**

You can access Cisco IOS software configuration information at <http://www.cisco.com>. Refer to the Software Advisor at <http://www.cisco.com/cgi-bin/Support/CompNav/Index.pl> for additional information.

---

For troubleshooting information, refer to the “[Troubleshooting the Installation](#)” section on page 64.



# Configuring High System Availability

This section describes high system availability (HSA), a feature that enables a router to continue processing and forwarding packets after a planned or unplanned outage.

It includes the following topics:

- [HSA Active and Standby Operation, page 25](#)
- [HSA Implementation Methods, page 26](#)
- [HSA System Requirements, page 27](#)
- [HSA Configuration Task List, page 27](#)
- [Monitoring and Maintaining HSA Operation, page 40](#)

HSA is the system default when two RSP8s, or an RSP8 and an RSP16 (one designated as the “active” and the other as the “standby”) are installed in a router and the active RSP8 fails. The standby RSP8 takes over in this situation, known as a “cold standby.” The router restarts without manual intervention (for example, without inserting a new RSP) by rebooting with the standby RSP. The standby has its own image and configuration file and acts as a single processor.



## Caution

To ensure proper functioning of the standby RSP8 in the event of an active RSP8 failure, the standby RSP8 should have the same boot image, the same ROM monitor, and the same DRAM configuration as the active RSP8.



## Note

An RSP8 can interoperate with another RSP8, or with an RSP16. It cannot interoperate with an RSP1, an RSP2, or an RSP4/4+. In the following text, you can substitute references to two RSP8s with an RSP8 and an RSP16.

When two new RSP8s (or an RSP8 and an RSP16) are installed at the same time, the RSP that occupies the first even RSP slot on the router is the active (normally the RSP16 if the RSP8 is used in conjunction with the RSP16), and the RSP that occupies the odd RSP slot is the standby. If a crash has occurred, the RSP in the odd slot becomes the active and the RSP in the even slot becomes the standby.

HSA is supported on the following routers: Cisco 7507, Cisco 7507-MX, Cisco 7513, and Cisco 7513-MX. HSA is not supported on the Cisco 7505 or the Cisco 7576 routers.

The cold standby procedure, from initial failure to first packet transmission, currently takes approximately eight to ten minutes.

For more complete HSA configuration information, refer to the *Cisco IOS Configuration Fundamentals Configuration Guide* and the *Cisco IOS Configuration Fundamentals Command Reference* publications, which are available online, on the Cisco Documentation CD-ROM, or as printed copies.

## HSA Active and Standby Operation

During HSA operation, the active RSP8 card functions as if it were a single processor, controlling all functions of the router. The standby RSP8 card does nothing but actively monitor the active RSP8 for failure.

When the standby RSP8 detects a nonfunctional active RSP8, the standby resets itself and takes part in *active-standby arbitration*. Active-standby arbitration is a ROM monitor process that determines which RSP8 card is the active and which is the standby upon startup (or reboot).

If a system crash causes the active RSP8 to fail, the standby RSP8 becomes the new active RSP8 and uses its own system image and configuration file to reboot the router. The failed RSP8 card (now the standby) remains inactive until you perform diagnostics, correct the problem, and then issue the **standby reload** command.

With HSA operation, use the following guidelines:

- The standby RSP8 should have the same boot image, the same ROM monitor, and the same DRAM configuration as the active RSP8. (See the “[Hardware Prerequisites](#)” section on page 14.)
- The two RSP8 cards are not required to run the same active software image and configuration file. The standby-mode software is a subset of the active-mode software.
- When enabled, automatic synchronization mode automatically ensures that the active and the standby RSP8 cards have the same configuration file. (See the “[Ensuring that Both RSPs Contain the Same Configuration Files](#)” section on page 28.)
- The console always connects to the active RSP8, so your view is always from the active RSP’s perspective.
- You must *not* remove the system active RSP8 while the system is operating; however, the system standby RSP8 can be removed while the system is operating.



**Caution**

---

Removing the active RSP8 while the system is operating might cause the system to crash; however, the system reloads with the standby RSP8 as the new active. To prevent any system problems, *do not* remove the active RSP8 while the system is operating.

---

## HSA Implementation Methods

The two common ways to use HSA are as follows:

- **Hardware backup**—Protects against an RSP8 card failure. You configure both RSP8 cards with the same software image and configuration information, and you configure the router to automatically synchronize configuration information on both cards when changes occur.
- **Software error protection**—Protects against critical Cisco IOS software errors in a particular release. You configure the RSP8 cards with different software images, but with the same configuration information.

You can also use HSA for advanced implementations. For example, you can configure the RSP8 cards with the following:

- Similar software versions, but different configuration files
- Different software images *and* different configuration files
- Widely varied configuration files (for example, various features or interfaces can be turned off or on per card)



**Note**

---

Other, more complex uses of HSA are also possible, but are not addressed in this document. For more information, contact your Cisco service representative.

---

The following HSA configuration information specifically refers to a Cisco 7513 and Cisco 7513-MX. The primary difference between the Cisco 7507 and Cisco 7507-MX and the Cisco 7513 and Cisco 7513-MX, with respect to HSA configuration, is that the RSP active and standby slots in the Cisco 7507 and Cisco 7507-MX are slot 2 and slot 3, respectively.

---

## HSA System Requirements

To configure HSA operation with the RSP8, you must have:

- A Cisco 7507, Cisco 7507-MX, Cisco 7513, or Cisco 7513-MX containing one RSP active processor card, one RSP standby processor card, and the proper Cisco IOS release (refer to the Software Advisor at <http://www.cisco.com/cgi-bin/Support/CompNav/Index.pl> for additional information).
- A standby RSP with the same (or higher) DRAM and Flash memory capacity as the active RSP. See the “[Memory Requirements](#)” section on page 13 for RSP8 memory component requirements.
- A standby RSP with the same boot image, the same ROM monitor, and the same DRAM configuration as the active RSP. (See the “[Hardware Prerequisites](#)” section on page 14.)



Caution

---

The HSA feature works with two RSP8 cards, or with one RSP8 and one RSP16. The RSP8 cannot be used in combination with the RSP1, RSP2 or RSP4/4+ when utilizing the HSA feature.

---

## HSA Configuration Task List

Before you configure HSA, decide how you intend to use HSA, as described in the “[HSA Implementation Methods](#)” section on page 26. Do you want it for simple hardware backup or for software error protection? If you are using new or experimental Cisco IOS software, consider using the software error protection method; otherwise, use the simple hardware backup method.

Once you have decided which method to use, complete the tasks in the following sections. The first two and last two tasks are required for both implementations. The third and fourth tasks relate to simple hardware backup. The fifth task relates to software error protection only.

- [Specifying the Default Standby RSP, page 28](#) (both implementations)
- [Ensuring that Both RSPs Contain the Same Configuration Files, page 28](#) (both implementations)
- [Ensuring that Both RSPs Contain the Same System Image, page 29](#) (simple hardware backup only)
- [Ensuring that Both RSPs Contain the Same Microcode Image, page 30](#) (simple hardware backup only)
- [Specifying Different Startup Images for the Active and the Standby RSPs, page 32](#) (software error protection only)
- [Setting Environment Variables on the Active and the Standby RSPs, page 38](#) (both implementations)



Note

---

The following HSA configuration examples refer to a Cisco 7513. If you have a Cisco 7507, the primary difference is that the active and the standby RSPs are located in slots 2 and 3, respectively.

---

## Specifying the Default Standby RSP

Your view of the environment is always from the active RSP8 perspective, and you must define a default standby RSP8. The router uses the default standby information when booting.

- If a system boot is due to powering up the router or using the **reload** command, then the specified default standby is the standby RSP8.
- If a system boot is due to a system crash or hardware failure, then the system ignores the default standby designation and makes the crashed or faulty RSP8 the standby RSP8.

To define the default standby RSP8, use the following commands beginning in privileged EXEC configuration mode:

	Command	Purpose
Step 1	Router# <b>configure terminal</b>	Enters global configuration mode.
Step 2	Router(config)# <b>slave default-slot</b> <i>processor-slot-number</i>	Defines the default standby RSP8 (or RSP16).
Step 3	Router(config)# <b>end</b>	Exits global configuration mode and returns you to privileged EXEC configuration mode.
Step 4	Router# <b>copy system: running-config nvram:startup-config</b>	Saves this information to your startup configuration.

Upon the next system reboot, the above changes take effect (if both RSP8 cards are operational). Thus, the specified default standby becomes the standby RSP8 card. The other RSP8 card takes over control of the system and controls all functions of the router.

If you do not specifically define the default standby RSP8, the RSP8 card located in the higher number processor slot is the default standby. On the Cisco 7507 and Cisco 7507-MX, processor slot 3 contains the default standby RSP. On the Cisco 7513 and Cisco 7513-MX, processor slot 7 contains the default standby RSP.

The following example sets the default standby RSP8 to processor slot 2 on a Cisco 7507 or Cisco 7507-MX:

```
Router# configure terminal
Router(config)# slave default-slot 2
Router(config)# end
Router# copy running-config startup-config
```

## Ensuring that Both RSPs Contain the Same Configuration Files

With the simple hardware backup and software error protection implementation methods, you always want your active and standby configuration files to match. To ensure that they match, turn on automatic synchronization. In automatic synchronization mode, the active copies its startup configuration to the standby's startup configuration when you issue a **copy** command that specifies the active's startup configuration (**nvram:startup-config**) as the target.

Automatic synchronization mode is on by default; however, to turn it on manually, use the following commands beginning in privileged EXEC configuration mode:

	Command	Purpose
Step 1	Router# <b>configure terminal</b>	Enters global configuration mode.
Step 2	Router(config)# <b>slave auto-sync config</b>	Enables automatic synchronization mode.
Step 3	Router(config)# <b>end</b>	Exits global configuration mode.
Step 4	Router# <b>copy system: running-config nvram:startup-config</b>	Saves this information to your startup configuration and copies the configuration to the standby's startup configuration.

The following example turns on automatic configuration file synchronization:

```
Router# configure terminal
Router(config)# slave auto-sync config
Router(config)# end
Router# copy system:running-config nvram:startup-config
```

## Ensuring that Both RSPs Contain the Same System Image

For simple hardware backup, ensure that both RSP cards have the same system image.

To ensure that both RSPs have the same system image, use the following commands beginning in privileged EXEC configuration mode:

	Command	Purpose
Step 1	Router# <b>show bootvar</b>	Displays the contents of the BOOT environment variable to learn the current booting parameters for the active and the standby RSP.
Step 2	Router# <b>dir { bootflash:   slot0:   slot1: }</b> or Router# <b>show { bootflash:   slot0:   slot1: }</b>	Verifies the location and version of the active RSP software image.
Step 3	Router# <b>dir { slavebootflash:   slaveslot0:   slaveslot1: }</b> or Router# <b>show { slavebootflash:   slaveslot0:   slaveslot1: }</b>	Determines if the standby RSP contains the same software image in the same location.
Step 4	Router# <b>copy { bootflash:[filename]   slot0:[filename]   slot1:[filename] } { slavebootflash:[filename]   slaveslot0:[filename]   slaveslot1:[filename] }</b>  <b>Note</b> You might also have to use the <b>delete</b> and/or <b>squeeze</b> command in conjunction with the <b>copy</b> command to accomplish this step.	Copies the active's system image to the appropriate standby location. Use this command if the standby RSP does not contain the same system image in the same location.  <b>Note</b> Deleted space is not reusable until after you perform the <b>squeeze</b> command.



**Note**

Standard 16-, 20-, or 32-MB Flash memory cards are supported with the RSP8. (The 20-MB Flash memory card is currently the default.) See [Flash Memory Card Installation Instructions](#) for detailed information. You should specify slot0 or slot1 in your command, depending on which slot you are using.

Standard 48-MB, 64-MB, and 128-MB Flash Disks are supported with the RSP8. See [Using the Flash Disk](#) for additional information. You should specify slot0 or slot1 in your command, depending on which slot you are using.

The following example ensures that both RSPs have the same system image. Note that because no environment variables are set, the default environment variables are in effect for both the active and the standby RSP.

```
Router# show bootvar
BOOT variable =
CONFIG_FILE variable =
Current CONFIG_FILE variable =
BOOTLDR variable does not exist
Configuration register is 0x0

Slave auto-sync config mode is on

current slave is in slot 7
BOOT variable =
CONFIG_FILE variable =
BOOTLDR variable does not exist

Configuration register is 0x0

Router# show slot0:
1 .. image 143B4C13 ACB820 21 11188128 Jan 28 2000 01:02:37
rsp-pv-mz.120-22.3.S1

Router# show slavebootflash:
-#- ED ----type---- --crc--- -seek-- nlen -length- -----date/time----- name
1 .. image FEC9823F AF0424 18 11203868 Jan 24 2000 23:26:33
rsp-pv-mz.120-23.S

Router# delete slaveslot0:rsp-pv-mz.120-23.S
Router# copy slot0:rsp-pv-mz.120-22.3.S1 slaveslot0:rsp-pv-mz.120-22.3.S1
```

## Ensuring that Both RSPs Contain the Same Microcode Image

To ensure that both RSPs have the same microcode images, use the following commands beginning in privileged EXEC configuration mode:

	Command	Purpose
Step 1	Router# <b>show controller cbus</b>	Determines the microcode images used on the interface processors. If all interface processors are running from the bundled system microcode, no further action is required.
Step 2	Router# <b>dir {bootflash:   slot0:   slot1:}</b>	If any interface processors are running from the Flash memory file system, verifies the location and version of the active RSP supplementary microcode.

	Command	Purpose
Step 3	Router# <b>dir</b> { <b>slavebootflash:</b>   <b>slaveslot0:</b>   <b>slaveslot1:</b> }	Determines whether the standby RSP contains the same microcode image in the same location.
Step 4	Router# <b>copy</b> { <b>bootflash:</b> [filename]   <b>slot0:</b> [filename]   <b>slot1:</b> [filename]} { <b>slavebootslot:</b> [filename]   <b>slaveslot0:</b> [filename]   <b>slaveslot1:</b> [filename]}  <b>Note</b> You might also have to use the <b>delete</b> and/or <b>squeeze</b> command in conjunction with the <b>copy</b> command to accomplish this step.	Copies the active's system image to the appropriate standby location. Use this command if the standby RSP does not contain the same system image in the same location.  <b>Note</b> Deleted space is not reusable until after you perform the <b>squeeze</b> command.

The following example ensures that both RSPs have the same microcode image. Notice that slots 0, 1, 4, 9, and 10 load microcode from the bundled software, as noted by the statement “*software loaded from system.*” The Channel Interface Processor (CIP2) in slot 11 does not use the microcode bundled with the system. Instead, it loads the microcode from *slot0:pond/bath/rsp\_fsip20-1*. Thus, you must ensure that the standby RSP8 has a copy of the same FSIP microcode in the same location.

```
Router# show controller cbus
MEMD at 40000000, 2097152 bytes (unused 416, recarves 3, lost 0)
  RawQ 48000100, ReturnQ 48000108, EventQ 48000110
  BufhdrQ 48000128 (2948 items), LovltrQ 48000140 (5 items, 1632 bytes)
  IpcbufQ 48000148 (16 items, 4096 bytes)
  3571 buffer headers (48002000 - 4800FF20)
  pool0: 28 buffers, 256 bytes, queue 48000130
  pool1: 237 buffers, 1536 bytes, queue 48000138
  pool2: 333 buffers, 4544 bytes, queue 48000150
  pool3: 4 buffers, 4576 bytes, queue 48000158
  slot0: EIP, hw 1.5, sw 20.00, ccb 5800FF30, cmdq 48000080, vps 4096
    software loaded from system
    Ethernet0/0, addr 0000.0ca3.cc00 (bia 0000.0ca3.cc00)
      gfreeq 48000138, lfreeq 48000160 (1536 bytes), throttled 0
      rxlo 4, rxhi 42, rxcurr 0, maxrxcurr 2
      txq 48000168, txacc 48000082 (value 27), txlimit 27
      .....
  slot1: FIP, hw 2.9, sw 20.02, ccb 5800FF40, cmdq 48000088, vps 4096
    software loaded from system
    Fddil/0, addr 0000.0ca3.cc20 (bia 0000.0ca3.cc20)
      gfreeq 48000150, lfreeq 480001C0 (4544 bytes), throttled 0
      rxlo 4, rxhi 165, rxcurr 0, maxrxcurr 0
      txq 480001C8, txacc 480000B2 (value 0), txlimit 95
  slot4: AIP, hw 1.3, sw 20.02, ccb 5800FF70, cmdq 480000A0, vps 8192
    software loaded from system
    ATM4/0, applique is SONET (155Mbps)
      gfreeq 48000150, lfreeq 480001D0 (4544 bytes), throttled 0
      rxlo 4, rxhi 165, rxcurr 0, maxrxcurr 0
      txq 480001D8, txacc 480000BA (value 0), txlimit 95
  slot9: MIP, hw 1.0, sw 20.02, ccb 5800FFC0, cmdq 480000C8, vps 8192
    software loaded from system
    T1 9/0, applique is Channelized T1
      gfreeq 48000138, lfreeq 480001E0 (1536 bytes), throttled 0
      rxlo 4, rxhi 42, rxcurr 0, maxrxcurr 0
      txq 480001E8, txacc 480000C2 (value 27), txlimit 27
      .....
  slot 10: TRIP, hw 1.1, sw 20.00, ccb 5800FFD0, cmdq 480000D0, vps 4096
    software loaded from system
    TokenRing10/0, addr 0000.0ca3.cd40 (bia 0000.0ca3.cd40)
      gfreeq 48000150, lfreeq 48000200 (4544 bytes), throttled 0
      rxlo 4, rxhi 165, rxcurr 1, maxrxcurr 1
      txq 48000208, txacc 480000D2 (value 95), txlimit 95
```

```

.....
slot11: FSIP, hw 1.1, sw 20.01, ccb 5800FFE0, cmdq 480000D8, vps 8192
software loaded from flash slot0:pond/bath/rsp_fsip20-1
Serial11/0, applique is Universal (cable unattached)
gfreeq 48000138, lfreeq 48000240 (1536 bytes), throttled 0
rxlo 4, rxhi 42, rxcurr 0, maxrxcurr 0
txq 48000248, txacc 480000F2 (value 5), txlimit 27
.....
Router# dir slot0:pond/bath/rsp_fsip20-1
-#- -length- ----date/time----- name
3 10242 Jan 01 1999 03:46:31 pond/bath/rsp_fsip20-1

Router# dir slaveslot0:pond/bath/rsp_fsip20-1
No such file

4079832 bytes available (3915560 bytes used)

Router# copy slot0:pond/bath/rsp_fsip20-1 slaveslot0:
4079704 bytes available on device slaveslot0, proceed? [confirm]

Router# dir slaveslot0:pond/bath/rsp_fsip20-1
-#- -length- ----date/time----- name
3 10242 Mar 01 1999 02:35:04 pond/bath/rsp_fsip20-1

4069460 bytes available (3925932 bytes used)
Router#

```

## Specifying Different Startup Images for the Active and the Standby RSPs

For software error protection, the RSPs should have different system images.

When the factory sends you a new router with two RSP8s, you receive the same system image on both RSPs. To configure the HSA feature for software error protection, you need two separate software images on the RSPs. You copy a desired image to the active RSP card and modify the **boot system** commands to reflect booting under two separate system images. Each RSP uses its own image to boot the router when it becomes the active RSP.

To specify different startup images for the active and the standby RSPs, use the following commands in beginning in privileged EXEC configuration mode:

	Command	Purpose
Step 1	Router# <b>dir</b> { <b>bootflash:</b>   <b>slot0:</b>   <b>slot1:</b> } or Router# <b>show</b> { <b>bootflash:</b>   <b>slot0:</b>   <b>slot1:</b> }	Verifies the location and version of the active RSP software image.
Step 2	Router# <b>dir</b> { <b>slavebootflash:</b>   <b>slaveslot0:</b>   <b>slaveslot1:</b> } or Router# <b>show</b> { <b>slavebootflash:</b>   <b>slaveslot0:</b>   <b>slaveslot1:</b> }	Determines whether the standby RSP contains the same software image in the same location.
Step 3	Router# <b>copy source</b> { <b>bootflash:</b>   <b>slot0:</b>   <b>slot1:</b> }	Copies a different system image to the active RSP.
Step 4	Router# <b>configure terminal</b>	Enters global configuration mode.



	Command	Purpose
Step 5	Router(config)# <b>boot system flash bootflash:[filename]</b> or Router(config)# <b>boot system flash slot0:[filename]</b> or Router(config)# <b>boot system flash slot1:[filename]</b>	Configures the active RSP to boot the new image from the appropriate location.  <b>Note</b> In this procedure, the image that you specify in this command only resides on the first, or active, RSP.
Step 6	Router(config)# <b>boot system flash bootflash:[filename]</b> or Router(config)# <b>boot system flash slot0:[filename]</b> or Router(config)# <b>boot system flash slot1:[filename]</b>	Configures a second <b>boot system</b> command that specifies the boot image and location on the standby RSP.  <b>Note</b> This is the boot image that the standby uses when it boots the system as the active RSP, assuming that the image file that you specified in the first <b>boot system</b> command does not exist on the second RSP. Therefore, when the standby RSP cannot locate the image in the first <b>boot system</b> command, it uses the image specified in this second command.
Step 7	Router(config)# <b>boot system { rcp   tftp   ftp } filename [ip-address]</b>	(Optional) Configures the active RSP to boot from a network server.
Step 8	Router(config)# <b>config-register value</b> <sup>1</sup>	Sets the configuration register to enable loading of the system image from a network server or Flash memory.
Step 9	Router(config)# <b>end</b>	Exits global configuration mode and returns you to privileged EXEC configuration mode.
Step 10	Router# <b>copy running-config nvram:startup-config</b>	Saves the configuration file to the active RSP startup configuration. Because automatic synchronization is turned on, this step saves the <b>boot system</b> commands to the active and the standby startup configuration.
Step 11	Router# <b>reload</b>	Resets the router with the new configuration information.

1. See the “[Software Configuration Register Settings](#)” section on page 82 for more information on systems that can use this command to modify the software configuration register.

## Upgrading to a New Software Version Example



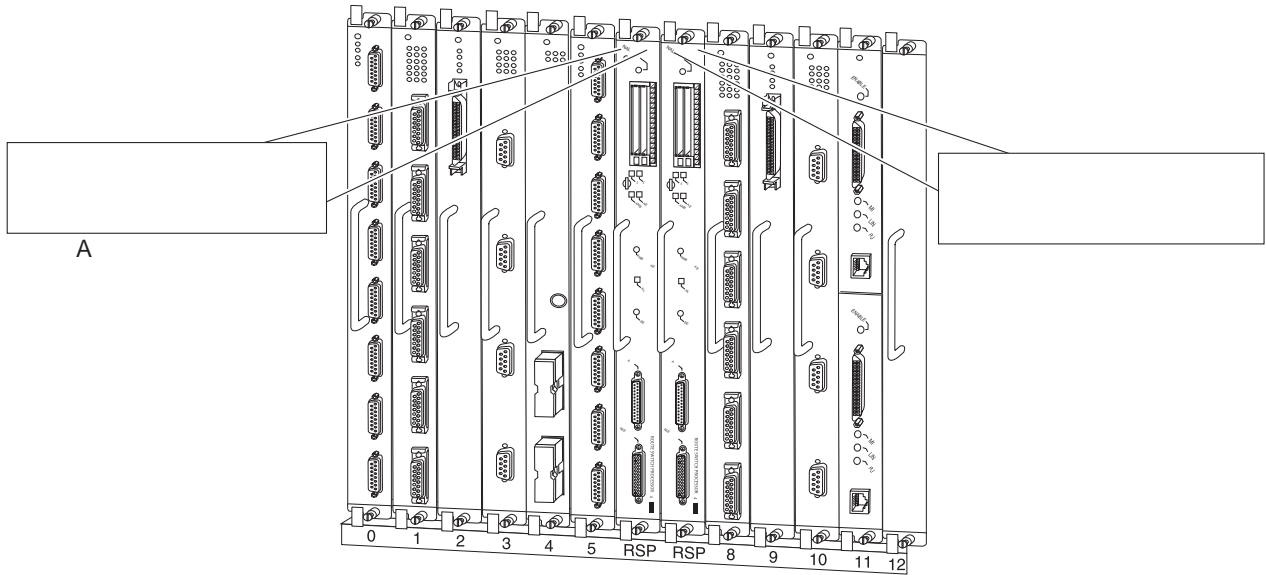
**Note** The following examples show systems with two RSP8s.

The following example describes an upgrade scenario under the following conditions:

- The active RSP8 is in processor slot 6, and the standby RSP8 is in processor slot 7 of a Cisco 7513 or Cisco 7513-MX.
- Both the active and the standby RSPs currently use the same Cisco IOS Enterprise image, *rsp-pv-mz.120-23.S*, in PC Card slot 0.
- We want to upgrade one RSP to run Cisco IOS Release 12.0(22.3)S1, and allow the other RSP to run Cisco IOS Release 12.0(23)S. To guard against software failures, we will configure HSA operation for software error protection.

Figure 8 illustrates the software error protection configuration for this sample scenario. The commands to set up this configuration follow the figure.

Figure 8 Software Error Protection—Upgrading to a New Software Version



**Step 1** To verify the location and version of the software image on the active RSP's PC Card in slot 0, use the following command:

```
Router# show slot0:
-#- ED ----type---- --crc--- -seek-- nlen -length- ----date/time----- name
1  .. image          FEC9823F AF0424  18 11203868 Jan 24 2000 23:26:33 rsp-pv-mz.120-23.S
```

**Step 2** Now view the standby software image location and version:

```
Router# show bootflash:
-#- ED ----type---- --crc--- -seek-- nlen -length- ----date/time----- name
1  .. image          FEC9823F AF0424  18 11203868 Jan 24 2000 23:26:33 rsp-pv-mz.120-23.S
```

**Step 3** To upgrade to the Cisco IOS Release 12.0(22.3)S1 system image on the active RSP, copy the Cisco IOS Release 12.0(22.3)S1 system image from a TFTP server to slot 0 on the active RSP:

```
Router# copy tftp slot0:rsp-pv-mz.120-22.3.S1
```

- Step 4** Enter global configuration mode and configure the system to boot first from a Cisco IOS Release 12.0(22.3)S1 system image and then from a Cisco IOS Release 12.0(23)S system image.

```
Router# configure terminal
Router(config)# boot system flash slot0:rsp-pv-mz.120-22.3.S1
Router(config)# boot system flash slot0:rsp-pv-mz.120-23.S
```

With this configuration, when the slot 6 RSP is active, it looks first in its PC Card slot 0 for the system image file *rsp-pv-mz.120-22.3.S1* to boot. Finding this file, the router boots from that system image. When the slot 7 RSP is active, it also looks first in its slot 0 for the system image file *rsp-pv-mz.120-22.3.S1* to boot. Because that image does not exist in that location, the slot 7 RSP looks for the system image file *rsp-pv-mz.120-23.S* in slot 0 to boot. Finding this file in its PC Card slot 0, the router boots from that system image. In this way, each RSP can reboot the system using its own system image when it becomes the active RSP.

- Step 5** Configure the system further with a fault-tolerant booting strategy:

```
Router(config)# boot system tftp rsp-pv-mz.120-23.S 10.1.1.25
```

- Step 6** Set the configuration register to enable loading of the system image from a network server or from Flash memory and save the changes to the active and the standby startup configuration file:

```
Router(config)# config-register 0x010F
Router(config)# end
Router# copy running-config startup-config
```

- Step 7** Reload the system so that the active RSP uses the new Cisco IOS Release 12.0(22.3)S1 system image:

```
Router# reload
```

---

This completes the sample procedure for upgrading to a new software version.

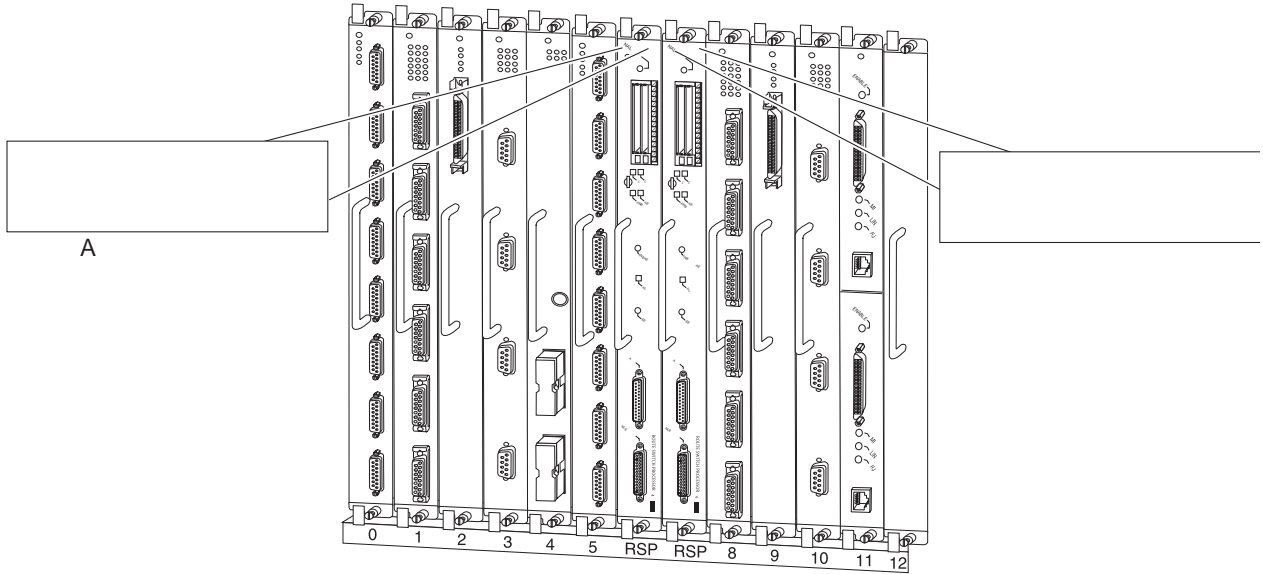
## Backing Up with an Older Software Version Example

The following example describes a backup scenario under the following conditions:

- The active RSP is in processor slot 6, and the standby RSP is in processor slot 7 of a Cisco 7513 or Cisco 7513-MX.
- Both the active and the standby RSPs currently use the same image, *rsp-pv-mz.120-22.3.S1*, in PC Card slot 0.
- We want to use Cisco IOS Release 12.0(23)S as a backup to guard against software failures, and we will configure HSA operation for software error protection.

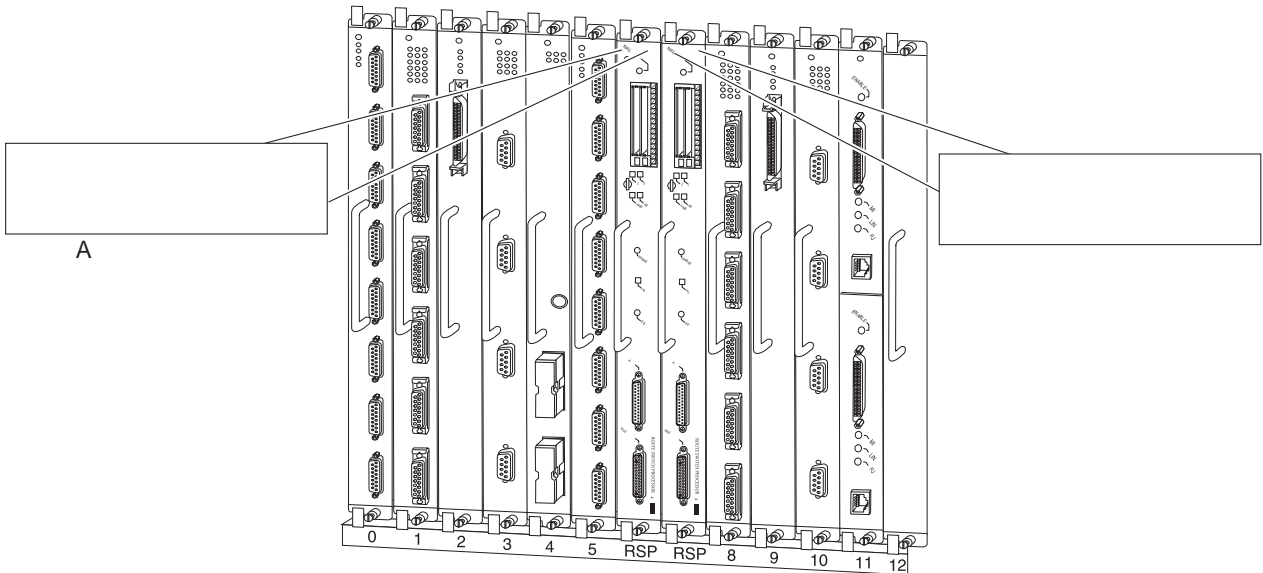
In this scenario, we begin with the configuration shown in [Figure 9](#).

**Figure 9** *Software Error Protection—Backing Up with an Older Software Version, Part I*



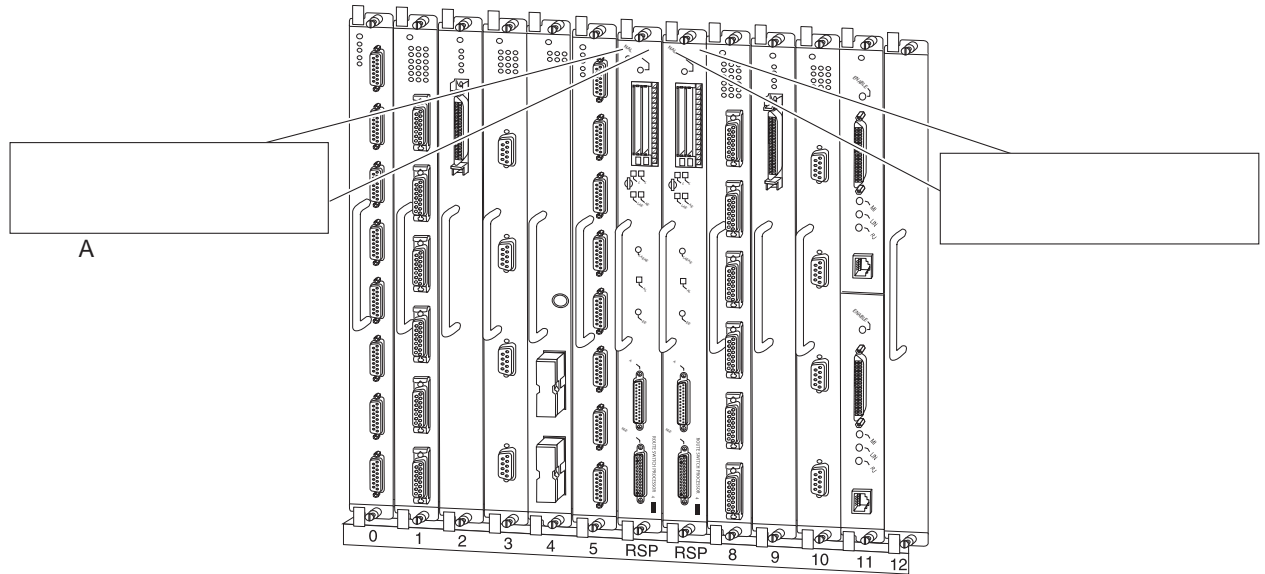
Next, we copy the `rsp-pv-mz.120-23.S` image to the active and the standby RSPs, as shown in [Figure 10](#).

**Figure 10** *Software Error Protection—Backing Up with an Older Software Version, Part II*



Last, we delete the `rsp-pv-mz.120-22.3.S1` image from the standby RSP4/4+ card, as shown in [Figure 11](#):

**Figure 11** Software Error Protection—Backing Up with an Older Software Version, Part III



Complete the following steps to configure software error protection for this sample scenario:

- Step 1** To verify the location and version of the RSP software images, use the following commands to view slot 0 on the active and standby RSPs:

```
Router# show slot0:
-#- ED ----type---- --crc--- -seek-- nlen -length- ----date/time----- name
1  .. image      143B4C13  ACB820   21 11188128 Jan 28 2000 01:02:37
rsp-pv-mz.120-22.3.S1
```

```
Router# show bootflash:
-#- ED ----type---- --crc--- -seek-- nlen -length- ----date/time----- name
1  .. image      143B4C13  ACB820   21 11188128 Jan 28 2000 01:02:37
rsp-pv-mz.120-22.3.S1
```

- Step 2** Copy the Cisco IOS Release 12.0(23)S system image from a TFTP server to PC Card slot 0 on the active and standby RSPs:

```
Router# copy tftp slot0:rsp-pv-mz.120-23.S
Router# copy tftp slaveslot0:rsp-pv-mz.120-23.S
```

- Step 3** Delete the `rsp-pv-mz.120-22.3.S1` image from the standby RSP:

```
Router# delete slaveslot0:rsp-pv-mz.120-22.3.S1
```

- Step 4** Configure the system to boot first from a Cisco IOS Release 12.0(22.3)S1 system image and then from a Cisco IOS Release 12.0(23)S system image:

```
Router# configure terminal
Router(config)# boot system flash slot0:rsp-pv-mz.120-22.3.S1
Router(config)# boot system flash slot0:rsp-pv-mz.120-23.S
```

- Step 5** Configure the system further with a fault-tolerant booting strategy:

```
Router(config)# boot system tftp rsp-pv-mz.120-23.S 10.1.1.25
```

- Step 6** Set the configuration register to enable loading of the system image from a network server or from Flash memory and save the changes to the active and the standby startup configuration file:

```
Router(config)# config-register 0x010F
Router(config)# Ctrl-Z
Router# copy system: running-config startup-config
```




---

**Note** You do not need to reload the router in this example, because the router is currently running the Cisco IOS Release 12.0(22.3)S1 image.

---

This completes the sample procedure for backing up with an older software version.

## Setting Environment Variables on the Active and the Standby RSPs

You can optionally set environment variables on both RSPs in a Cisco 7507, Cisco 7507-MX, Cisco 7513, or Cisco 7513-MX router.




---

**Note** When you configure the HSA operation, we recommend that you use the default environment variables. If you do change the variables, we recommend that you set the same device for equivalent environment variables on each RSP. For example, if you set one RSP CONFIG\_FILE environment variable to NVRAM, then set the other RSP CONFIG\_FILE environment variable to NVRAM also.

---

You set environment variables on the active RSP just as you would if it were the only RSP in the system. You can set the same environment variables on the standby RSP manually or automatically.

The following sections describe these two methods:

- [Manually Setting Environment Variables on the Standby RSP, page 38](#)
- [Automatically Setting Environment Variables on the Standby RSP, page 39](#)

For more complete configuration information on how to set environment variables, refer to the *Cisco IOS Configuration Fundamentals Configuration Guide* and the *Cisco IOS Configuration Fundamentals Command Reference* publications, which are available online on Cisco.com, on the Documentation CD-ROM, or as printed documents.

### Manually Setting Environment Variables on the Standby RSP

Once you set the active RSP environment variables, you can manually set the same environment variables on the standby RSP using the **slave sync config** command.

However, automatic synchronization is enabled by default on the RSP. Therefore, unless you have disabled automatic synchronization, or this is the first time you are installing a second RSP, a manual update is not required. For more information about automatic synchronization, see the [“Ensuring that Both RSPs Contain the Same Configuration Files”](#) section on page 28.



#### Caution

When you install a second RSP for the first time, you *must* immediately configure it using the **slave sync config** command. This ensures that the new standby RSP is configured consistently with the active RSP. Failure to do so might result in an unconfigured standby RSP taking control of the router when the active RSP fails, rendering the network inoperable.

For additional information about using the **slave sync config** command, see the [“Monitoring and Maintaining HSA Operation”](#) section on page 40. For more complete HSA configuration information, refer to the *Cisco IOS Configuration Fundamentals Configuration Guide* and the *Cisco IOS Configuration Fundamentals Command Reference* publications.

To manually set environment variables on the standby RSP, use the following commands beginning in global configuration mode:

	Command	Purpose
Step 1	Router(config)# <b>boot system</b>	(Optional) Specifies the system image that the router loads at startup and stores it in the BOOT variable in the current running configuration.  <b>Note</b> For a complete syntax description and usage guidelines, refer to the <i>Cisco IOS Configuration Fundamentals Command Reference</i> publication.
Step 2	Router(config)# <b>boot bootldr</b> <i>file-url</i>	(Optional) Specifies the Flash file system and file name that ROM uses at startup and stores it in the BOOTLDR variable in the current running configuration
Step 3	Router(config)# <b>boot config</b> <i>file-url</i>	(Optional) Specifies the location of the configuration file that the router uses at startup and stores it in the CONFIG_FILE environment variable in the current running configuration.
Step 4	Router(config)# <b>end</b>	Exits global configuration mode and returns you to privileged EXEC configuration mode.
Step 5	Router# <b>copy running-config startup-config</b>	Saves the current running configuration settings to the startup configuration. This also puts the information under the RSP’s ROM monitor control.
Step 6	Router# <b>show bootvar</b>	Verifies the environment variable settings.
Step 7	Router# <b>configure terminal</b>	Enters global configuration mode.
Step 8	Router(config)# <b>slave sync config</b>	Saves the same environment variables to the standby RSP by manually synchronizing their configuration files.

### Automatically Setting Environment Variables on the Standby RSP

With automatic synchronization turned on, when you set the active RSP environment variables and save them, the system automatically saves the same environment variables to the standby’s startup configuration.

You do not need to use the **slave sync config** command when automatic synchronization is enabled, unless this is the first time you are installing a second RSP. For more information about this use of the **slave sync config** command, see the [“Monitoring and Maintaining HSA Operation” section on page 40](#).



**Note**

Automatic synchronization mode is on by default. Therefore, unless you have disabled automatic synchronization a manual update is not required. For more information about automatic synchronization, see the [“Ensuring that Both RSPs Contain the Same Configuration Files” section on page 28](#).

To set environment variables on the standby RSP when automatic synchronization is on, use the following commands on the active RSP beginning in global configuration mode:

	Command	Purpose
Step 1	Router(config)# <b>boot system</b>	(Optional) Specifies the system image that the router loads at startup and stores it in the BOOT variable in the current running configuration.  <b>Note</b> For a complete syntax description and usage guidelines, refer to the <i>Cisco IOS Configuration Fundamentals Command Reference</i> publication.
Step 2	Router(config)# <b>boot bootldr file-url</b>	(Optional) Specifies the Flash file system and file name that ROM uses at startup and stores it in the BOOTLDR variable in the current running configuration
Step 3	Router(config)# <b>boot config file-url</b>	(Optional) Specifies the location of the configuration file that the router uses at startup and stores it in the CONFIG_FILE environment variable in the current running configuration.
Step 4	Router(config)# <b>end</b>	Exits global configuration mode and returns you to privileged EXEC configuration mode.
Step 5	Router# <b>copy running-config startup-config</b>	Saves the settings to the startup configuration. This also puts the information under that RSP’s ROM monitor control.
Step 6	Router# <b>show bootvar</b>	Verifies the environment variable settings.

## Monitoring and Maintaining HSA Operation

To monitor and maintain HSA operation, you can override the standby image that is bundled with the active image by using the following command in global configuration mode:

Command	Purpose
Router(config)# <b>hw-module slot image</b>	Specifies which image the standby runs.



**Note**

The **slave image system** command, previously used to determine which image the standby runs, is not valid with newer images containing HA features.



You can manually synchronize configuration files and ROM monitor environment variables on the active and the standby RSPs using the following command in privileged EXEC configuration mode:

Command	Purpose
Router# <b>slave sync config</b>	Manually synchronizes active and standby configuration files.



#### Caution

When you install a second RSP for the first time, you *must* immediately configure it using the **slave sync config** command. This ensures that the new standby RSP is configured consistently with the active RSP. Failure to do so might result in an unconfigured standby RSP taking control of the router when the active RSP fails, rendering the network inoperable.

The **slave sync config** command is also a useful tool for more advanced implementation methods not discussed in this document. Refer to the *Cisco IOS Configuration Fundamentals Configuration Guide* and the *Cisco IOS Configuration Fundamentals Command Reference* publications, which are available on the Documentation CD-ROM, online at Cisco.com, or as printed documents.

## Enabling High Availability Features

This section discusses the following topics:

- [High Availability Feature Overview, page 41](#)
- [Hardware and Software Prerequisites, page 43](#)
- [Installation Procedures, page 43](#)
- [RPR, RPR+, SSO, and FSU Troubleshooting Tips, page 63](#)

High availability (HA), an alternative to the default high system availability (HSA) feature, is a series of features that minimizes system downtime through a “warm standby.” Warm standby allows the system to switch over to a standby RSP preloaded with a Cisco IOS image in 30 seconds to 5 minutes, depending on the feature. For more information on high service availability (HSA), the system default program, refer to the “[Configuring High System Availability](#)” section on [page 25](#). Like HSA, HA is supported on the Cisco 7507, Cisco 7507-MX, Cisco 7513, and Cisco 7513-MX routers with two RSP8s, or with one RSP8 and one RSP16.

A router configured for HA has two RSPs, an active RSP and a standby RSP. The active RSP controls all functions of the router, and the standby RSP monitors the active for failure.

## High Availability Feature Overview

HA features include:

- **Single Line Card Reload (SLCR)**—Speeds recovery of a failed router by reloading a failed line card without reloading other line cards on the network backplane. SLCR isolates the fault to a single Versatile Interface Processor (VIP2 or VIP4) or Legacy interface processor card, and accelerates recovery time by reloading only the faulty VIP or Legacy interface processor card. Physical lines and routing protocols on the other line cards of the network backplane remain active. The system continues forwarding packets with minimal interruptions.

SLCR is disabled by default and needs to be manually configured. When SLCR is enabled, and more than two linecards crash simultaneously, all line cards will be reset.

For more information on how to configure SLCR, refer to the *Cisco 7500 Single Line Card Reload* feature module at

<http://www.cisco.com/univercd/cc/td/doc/product/software/ios120/120newft/120limit/120s/120s13/slcr.htm>.

- **Route Processor Redundancy (RPR)**—Speeds recovery of a failed router by accelerating switchover to the standby RSP. The standby RSP is preinitialized with the same full Cisco IOS software image as on the active RSP. When the active RSP fails, the standby RSP takes over. The line cards are OIR inserted by the standby RSP during the switchover. Switchover time is reduced to 4 to 5 minutes with RPR.

RPR is disabled by default, and needs to be manually configured. For more information on RPR, refer to the *Route Processor Redundancy and Fast Software Upgrade on Cisco 7500 Series Routers* feature module available online at

[http://www.cisco.com/univercd/cc/td/doc/product/software/ios120/120newft/120limit/120st/120st16/st\\_rpr7x.htm](http://www.cisco.com/univercd/cc/td/doc/product/software/ios120/120newft/120limit/120st/120st16/st_rpr7x.htm).

- **Route Processor Redundancy Plus (RPR+)**—Like RPR, RPR+ speeds recovery of a failed router by accelerating switchover to the standby RSP. The RPR+ feature, an enhancement of RPR, prevents a VIP from being reset and reloaded when a switchover occurs between the active and standby RSPs. Switchover time is reduced because VIPs are not reset, microcode does not reload on the VIPs, and the time needed to parse the configuration is eliminated.

Online removal of the active RSP causes all line cards to reset and reload, which is equivalent to an RPR switchover, and results in a longer switchover time. When it is necessary to remove the active RSP from the system, first issue a switchover command to switch from the active RSP to the standby RSP.

RPR+ is disabled by default, and needs to be manually configured. RPR+ does not support the Legacy interface processor card. The system will default to RPR if the router includes an Legacy interface processor card. For more information on how to configure RPR+, refer to the *RPR+ on Cisco 7500 Series Routers* feature module, available online at

[http://www.cisco.com/univercd/cc/td/doc/product/software/ios120/120newft/120limit/120st/120st19/st\\_rpr2.htm](http://www.cisco.com/univercd/cc/td/doc/product/software/ios120/120newft/120limit/120st/120st19/st_rpr2.htm).

- **Fast Software Upgrade (FSU)**—Accelerates switchover to a new software image. Fast Software Upgrade permits users to upgrade to an interim release or next minor release Cisco IOS image by uploading it to the standby RSP first. After loading the new Cisco IOS image on the standby RSP, the user can issue a command to switch to the standby RSP, and all the line cards will be reloaded, similar to what occurs in RPR. This feature allows users to upgrade Cisco IOS on their Cisco 7500 routers with much less interruption to service than previously experienced.

For more information on FSU, refer to the *Route Processor Redundancy and Fast Software Upgrade on Cisco 7500 Series Routers* feature module available online at

[http://www.cisco.com/univercd/cc/td/doc/product/software/ios120/120newft/120limit/120st/120st16/st\\_rpr7x.htm](http://www.cisco.com/univercd/cc/td/doc/product/software/ios120/120newft/120limit/120st/120st16/st_rpr7x.htm).

- **Stateful Switchover (SSO)**—Based on RPR+, SSO allows the active RSP to pass the necessary state information of key routing and interface protocols to the standby RSP upon switchover, which reduces the time for the standby RSP to learn and converge routes.

SSO is disabled by default, and needs to be manually configured. SSO does not support the Legacy interface processor cards. For more information on how to configure SSO, refer to the *Stateful Switchover* feature module available online at

<http://www.cisco.com/univercd/cc/td/doc/product/software/ios120/120newft/120limit/120s/120s22/sso120s.htm>.

- Cisco Nonstop Forwarding (NSF) —Used with SSO, NSF allows routers with redundant RSPs to continue forwarding data to the standby RSP during a switchover. This feature uses the Forwarding Information Base (FIB) that was current at the time of the switchover. Once the routing protocols have converged, the FIB table is updated and stale route entries are deleted. This feature eliminates downtime during the switchover. Note: Cisco NSF always runs together with SSO.

Cisco NSF is supported by the BGP, OSPF, and IS-IS protocols for routing and by Cisco Express Forwarding (CEF) for forwarding. For more information on how to configure NSF, see the *Cisco Nonstop Forwarding* feature module available online at

<http://www.cisco.com/univercd/cc/td/doc/product/software/ios120/120newft/120limit/120s/120s22/nsf120s.htm>.

## Hardware and Software Prerequisites

The RPR and FSU features are available on the Cisco 7507, Cisco 7507-MX, Cisco 7513, and Cisco 7513-MX routers, which are loaded with two route switch processors (RSPs). The router is loaded with two route switch processors (RSPs), which can be two RSP8s, or an RSP16 and an RSP8.

The following HA features became available on the following minimum software releases:

- Single Line Card Reload (SLCR)—Cisco IOS Releases 12.0(13)S, 12.1(4)T, and 12.1(5)E
- Route Processor Redundancy (RPR)— Cisco IOS Release 12.0(16)ST
- Route Processor Redundancy Plus (RPR+)— Cisco IOS Release 12.0(19)ST
- Fast Software Upgrade (FSU)—Cisco IOS Release 12.0(16)ST
- Stateful Switchover (SSO) —Cisco IOS Release 12.0(22)S
- Nonstop Forwarding (NSF)—Cisco IOS Release 12.0(22)S



Note

For current hardware and software compatibility information, refer to the Software Advisor tool at <http://www.cisco.com/cgi-bin/Support/CompNav/Index.pl>.

## Installation Procedures

See the following sections for the configuration tasks required to run the RPR/RPR+, SSO with NSF, FSU, and SLCR features.

- [Enabling the Router, page 44](#) (required)
- [Copying an Image onto an RSP, page 44](#) (required)
- [Setting the Config-Register Boot Variable, page 46](#) (optional)
- [Configuring RPR and RPR+, page 46](#) (optional)
- [Configuring a Stateful Switchover \(SSO\), page 49](#) (optional)
- [Configuring Nonstop Forwarding \(NSF\), page 52](#) (optional; but SSO required)
- [Performing a Fast Software Upgrade, page 60](#) (optional)
- [Configuring SLCR, page 62](#) (optional)

## Enabling the Router

To enter privileged EXEC configuration mode, enable the router using the following steps:

- Step 1** At the user-level EXEC prompt, run the **enable** command. The router prompts you for a privileged-level password as follows:

```
Router> enable
Password:
```

- Step 2** Type the password (the password is case sensitive). For security purposes, the password is not displayed. When you specify the correct password, the system displays the privileged-level system prompt (#):

```
Router#
```

This completes the procedure to enable the router.

## Copying an Image onto an RSP

You can use TFTP to copy a high availability Cisco IOS software image onto the active and standby RSPs.



### Note

Before you begin to copy a file to Flash memory, be sure that there is enough space available in Flash memory. To verify the amount of Flash memory available, you can use the **show flash:** command. Compare the size of the file you are copying to the amount of available Flash memory shown. If the space available is less than the space required by the file you will copy, the copy process will continue, but the entire file will not be copied into Flash memory.

To copy a Cisco IOS software image from a TFTP server to a Flash memory card or Flash Disk on the active RSP, use the following commands beginning in privileged EXEC configuration mode:

	Command	Purpose
Step 1	<pre>Router# copy tftp slotslot-number:  Address or name of remote host []? ip-address  Name of file to copy []? imagename&lt;Return&gt; writing filename!!!!!!!!!!!!!!!!!!!!!!!!!!!!!!!!!!!!!!  Destination filename? [imagename1] &lt;Return&gt; Accessing tftp://host ip-address/file 'imagename' on ip-address.. found ! 11188128 bytes copied in 2280.664 secs (4906 bytes/sec)</pre>	<p>Uses TFTP to copy a high availability Cisco IOS image onto the Flash memory card or Flash Disk of the active RSP.<sup>1</sup></p> <ul style="list-style-type: none"> <li>• <b>slotslot-number</b>—Specifies the Flash memory card or Flash Disk of the active RSP.</li> </ul> <p>The router prompts you for the IP address of the TFTP server.</p> <ul style="list-style-type: none"> <li>• <b>ip-address</b>—Specifies the IP address of the TFTP server that contains the new image.</li> </ul> <p>The router prompts you for the name of the image file you are copying to the Flash memory card or Flash Disk.</p> <ul style="list-style-type: none"> <li>• <b>imagename</b>—Indicates the name of the image to be loaded onto the Flash memory card or Flash Disk.</li> </ul> <p>The router prompts you to enter the name under which you want the file to appear at the destination.</p> <ul style="list-style-type: none"> <li>• <b>imagename1</b>—Indicates the name of the image as it appears at the destination.</li> </ul>
Step 2	<pre>Router# copy tftp slaveslotslot-number:  Address or name of remote host []? ip-address  Name of file to copy []? imagename&lt;Return&gt; writing filename!!!!!!!!!!!!!!!!!!!!!!!!!!!!!!!!!!!!!!  Destination filename? [imagename1] &lt;Return&gt; Accessing file 'imagename' on ip-address.. found ! 903500 bytes available for writing without erasure. Loading imagename from ip-address (via Ethernet1/0): !  [OK - 3320245/4194176 bytes]</pre>	<p>Uses TFTP to copy a high availability Cisco IOS image onto the Flash memory card or Flash Disk of the standby RSP.</p> <ul style="list-style-type: none"> <li>• <b>slaveslotslot-number</b>—Specifies the Flash memory card or Flash Disk of the standby RSP.</li> </ul> <p>The router prompts you for the IP address of the TFTP server.</p> <ul style="list-style-type: none"> <li>• <b>ip-address</b>—Specifies the IP address of the TFTP server that contains the new image.</li> </ul> <p>The router prompts you for the name of the image file you are copying to the Flash memory card or Flash Disk.</p> <ul style="list-style-type: none"> <li>• <b>imagename</b>—Indicates the name of the image to be loaded onto the Flash memory card or Flash Disk.</li> </ul> <p>The router prompts you to enter the name under which you want the file to appear at the destination.</p> <ul style="list-style-type: none"> <li>• <b>imagename1</b>—Indicates the name of the image as it appears at the destination.</li> </ul>

1. Before you copy a file to Flash memory, be sure there is ample space available in Flash memory. Compare the size of the file you are copying to the amount of available Flash memory shown. If the space available is less than the space required by the file you will copy, the copy process will continue, but the entire file will not be copied into Flash memory.

## Setting the Config-Register Boot Variable

Though it is not required, we recommend that you modify the software configuration register boot field so that the system boots the same image that the **hw-module slot slot-number image file-spec** command specifies in the “[Configuring RPR and RPR+](#)” section on page 46.

	Command	Purpose
Step 1	Router# <b>show version</b>	Obtains the current configuration register setting.
Step 2	Router# <b>configure terminal</b>	Enters global configuration mode.
Step 3	Router(config)# <b>boot system flash slotslot-number:[imagename]</b>	Specifies the filename of an image stored in Flash memory. <ul style="list-style-type: none"> <li><i>imagename</i>—It is recommended that you set the boot variable so that the system boots the same image specified by the <b>hw-module slot slot-number image file-spec</b> command. See <a href="#">Step 2</a> of the “<a href="#">Configuring RPR and RPR+</a>” section on page 46.</li> <li><i>slot-number</i>—Specifies the active RSP slot where the Flash memory card or Flash Disk is located. Valid numbers are slot 2 or slot 3 for a Cisco 7507 router and slot 6 or slot 7 for a Cisco 7513 router.</li> </ul>
Step 4	Router(config)# <b>config-register value</b>	Modifies the existing configuration register setting to reflect the way in which you want to load a system image. <i>value</i> —0x0 to 0xFFFFFFFF
Step 5	Router(config)# <b>end</b>	Exits global configuration mode and returns you to privileged EXEC configuration mode.
Step 6	Router# <b>reload</b>	Resets the router with the new configuration information.

## Configuring RPR and RPR+



### Note

Online removal of the active RSP causes all line cards to reset and reload, which is the equivalent to an RPR switchover, and results in a longer switchover time. When it is necessary to remove the active RSP from the system, first issue a switchover command to switch from the active RSP to the standby RSP.

To configure RPR and RPR+, use the following commands beginning in privileged EXEC configuration mode:

	Command	Purpose
Step 1	Router# <b>configure terminal</b>	Enters global configuration mode.
Step 2	Router(config)# <b>hw-module slot</b> <i>slot-number</i> <b>image</b> <i>file-spec</i>	<p>Specifies the image to be used by the active RSP at initialization. If a high-availability image is found, the running configuration is updated.</p> <ul style="list-style-type: none"> <li><i>slot-number</i>—Specifies the active RSP slot where the Flash memory card or Flash Disk is located. Valid numbers are slot 2 or slot 3 for a Cisco 7507 router or slot 6 or slot 7 for a Cisco 7513 router.</li> <li><i>file-spec</i>—Indicates the flash device and the name of the image on the active RSP.</li> </ul> <p><b>Note</b> Step 2 and Step 3 are the same; Step 2 applies to the active RSP and Step 3 applies to the standby RSP.</p>
Step 3	Router(config)# <b>hw-module slot</b> <i>slot-number</i> <b>image</b> <i>file-spec</i>	<p>Specifies the image to be used by the standby RSP at initialization. If a high-availability image is found, the running configuration is updated.</p> <ul style="list-style-type: none"> <li><i>slot-number</i>—Specifies the standby RSP slot where the Flash memory card or Flash Disk is located. Valid numbers are slot 2 or slot 3 for a Cisco 7507 router or slot 6 or slot 7 for a Cisco 7513 router.</li> <li><i>file-spec</i>—Indicates the Flash device and the name of the image on the standby RSP.</li> </ul> <p><b>Note</b> Step 2 and Step 3 are the same; Step 2 applies to the active RSP and Step 3 applies to the standby RSP.</p>
Step 4	Router(config)# <b>redundancy</b>	Enters redundancy configuration mode.
Step 5	Router(config-red)# <b>mode rpr</b> (Or <b>mode rpr-plus</b> )	Sets the redundancy mode to RPR (or RPR+) on both the active and standby RSPs. HSA is the default redundancy mode.
Step 6	Router(config-red)# <b>exit</b>	Exits redundancy configuration mode and returns you to global configuration mode.
Step 7	Router(config)# <b>end</b>	Exits global configuration mode and returns you to privileged EXEC configuration mode.
Step 8	Router# <b>hw-module sec-cpu reset</b>	<p>Resets and reloads the standby RSP with the specified Cisco IOS image and executes the image.</p> <p><b>Note</b> If you do not specify a Cisco IOS image in Step 2, this command loads and executes the bundled default IOS standby image. The system then operates in HSA mode.</p>

## Verifying RPR and RPR+

Use the **show redundancy** command to verify that RPR or RPR+ is enabled:

```
Router# show redundancy

Operating mode is sso
redundancy mode sso
hw-module slot 6 image disk0:rsp-pv-mz
hw-module slot 7 image disk0:rsp-pv-mz

Active High Availability version is 3.0
Standby High Availability version is 3.0

Active in slot 6
Standby in slot 7

The system total uptime since last reboot is 2 weeks, 23 hours 41 minutes.
The system has experienced 4 switchovers.
The system has been active (become master) for 21 hours 1 minute.
Reason for last switchover:User forced.
```

## Configuring RPR and RPR+ Example

In the following example, the active RSP is in slot 2 and the standby RSP is installed in slot 3 of a Cisco 7507 router.

```
Router# copy tftp slot0:rsp-pv-mz
Router# copy tftp slaveslot0:rsp-pv-mz
Router# configure terminal
Router(config)# hw-module slot 2 image slot0:rsp-pv-mz
Router(config)# hw-module slot 3 image slot0:rsp-pv-mz
Router(config)# redundancy
Router(config-red)# mode rpr (Or mode rpr-plus)
Router(config-red)# exit
Router(config)# end
Router# hw-module sec-cpu reset
Router# show running-config
version 12.0
service timestamps debug uptime
service timestamps log uptime
no service password-encryption
service single-slot-reload-enable
!
hostname Router1
!
boot system rcp://path/to/image/rsp-boot-mz
boot system tftp://path/to/image/rsp-boot-mz
boot bootldr bootflash:rsp-boot-mz
enable password password
!
redundancy
 mode rpr!--indicates Redundancy mode has been configured for RPR
!
hw-module slot 2 image slot0:rsp-pv-mz
hw-module slot 3 image slot0:rsp-pv-mz
ip subnet-zero
ip rcmd remote-username router1
ip cef distributed
ip host iphost 192.168.0.1
mpls traffic-eng auto-bw timers
!
!
```



```

controller T3 6/0/0
  clock source line
  !
  !
interface Ethernet0/0/0
  ip address 10.0.0.1 255.255.0.0
  no ip directed-broadcast
  ip route-cache distributed
  no keepalive
.
.
.
exec-timeout 0 0
  history size 40
  transport preferred none
  transport input none
line aux 0
line vty 0 4
  login

```

## Configuring a Stateful Switchover (SSO)

To configure SSO, use the following commands beginning in privileged EXEC configuration mode:

	Command	Purpose
Step 1	Router# <b>configure terminal</b>	Enters global configuration mode.
Step 2	Router(config)# <b>hw-module slot</b> <i>slot-number</i> <b>image</b> <i>file-spec</i>	<p>Specifies the image to be used by the active RSP at initialization. If a high-availability image is found, the running configuration is updated.</p> <ul style="list-style-type: none"> <li><i>slot-number</i>—Specifies the active RSP slot where the Flash memory card or Flash Disk is located. Valid numbers are slot 2 or slot 3 for a Cisco 7507 router or slot 6 or slot 7 for a Cisco 7513 router.</li> <li><i>file-spec</i>—Indicates the Flash device and the name of the image on the active RSP.</li> </ul> <p><b>Note</b> Step 2 and Step 3 are the same; Step 2 applies to the active RSP and Step 3 applies to the standby RSP.</p> <p><b>Note</b> The image indicated by the <i>file-spec</i> attribute must be available on the local Flash device. Remote protocols such as TFTP and remote copy are not available.</p>

	Command	Purpose
Step 3	Router(config)# <b>hw-module slot</b> <i>slot-number</i> <b>image</b> <i>file-spec</i>	<p>Specifies the image to be used by the standby RSP at initialization. If a high-availability image is found, the running configuration is updated.</p> <ul style="list-style-type: none"> <li><i>slot-number</i>—Specifies the standby RSP slot where the Flash memory card or Flash Disk is located. Valid numbers are slot 2 or slot 3 for a Cisco 7507 router or slot 6 or slot 7 for a Cisco 7513 router.</li> <li><i>file-spec</i>—Indicates the Flash device and the name of the image on the active RSP.</li> </ul> <p><b>Note</b> Step 2 and Step 3 are the same; Step 2 applies to the active RSP and Step 3 applies to the standby RSP.</p> <p><b>Note</b> The image indicated by the <i>file-spec</i> attribute must be available on the local Flash device. Remote protocols such as TFTP and remote copy are not available.</p>
Step 4	Router(config)# <b>redundancy</b>	Enters redundancy configuration mode.
Step 5	Router(config-red)# <b>mode sso</b>	<p>Sets the redundancy configuration mode to SSO on both the active and standby RSP.</p> <p><b>Note</b> After configuring SSO mode, the standby RSP automatically resets.</p>
Step 6	Router(config-red)# <b>end</b>	Exits redundancy configuration mode and returns you to privileged EXEC configuration mode.
Step 7	Router# <b>copy running-config startup-config</b>	Saves the configuration changes to the startup configuration file.

### Configuring Frame Relay Autosynchronization LMI Sequence Numbers

The autosynchronization procedure is only for devices supporting Frame Relay and is optional. To configure Frame Relay SSO to synchronize LMI sequence numbers between the active and standby RSPs, use the following command in global configuration mode.

Command	Purpose
Router(config)# <b>frame-relay redundancy auto-sync lmi-sequence-numbers</b>	Configures automatic synchronization of Frame Relay LMI sequence numbers between the active RSP and the standby RSP.

### Verifying SSO

To verify that SSO is configured on the networking device, use the **show redundancy** command. To verify that the device is running in SSO mode, use the **show redundancy states** command. The **show redundancy states** command specifies whether the unit is running in SSO mode, which is indicated by STANDBY HOT.



**Note** The output of these commands will vary based on your device configuration and system site requirements.

**Step 1** Use the **show redundancy** command to verify that SSO is configured on the device.

```
Router# show redundancy

Operating mode is sso
redundancy mode sso
hw-module slot 6 image disk0:rsp-pv-mz
hw-module slot 7 image disk0:rsp-pv-mz

Active High Availability version is 3.0
Standby High Availability version is 3.0

Active in slot 6
Standby in slot 7
```

```
The system total uptime since last reboot is 2 weeks, 23 hours 41 minutes.
The system has experienced 4 switchovers.
The system has been active (become master) for 21 hours 1 minute.
Reason for last switchover:User forced.
```

**Step 2** Run the **show redundancy states** command to verify that SSO is operating on the device.

```
Router# show redundancy states
my state = 13 -ACTIVE
peer state = 8 -STANDBY HOT
Mode = Duplex
Unit ID = 7

Redundancy Mode = sso
Maintenance Mode = Disabled
Manual Swact = Enabled
Communications = Up

client count = 12
client_notification_TMR = 30000 milliseconds
RF debug mask = 0x0
```

**Step 3** Use the **show redundancy client** command to display the list of applications and protocols that have registered as SSO protocols or applications. Verify the list of supported line protocols.

```
Router# show redundancy client

clientID = 0      clientSeq = 0      RF_INTERNAL_MSG
clientID = 25     clientSeq = 130    CHKPT RF
clientID = 22     clientSeq = 140    Network RF Client
clientID = 24     clientSeq = 150    CEF RRP RF Client
clientID = 37     clientSeq = 151    MDFS RRP RF Client
clientID = 23     clientSeq = 220    FRAME RELAY
clientID = 49     clientSeq = 225    HDLC
clientID = 20     clientSeq = 310    IPROUTING NSF RF cli
clientID = 21     clientSeq = 320    PPP RF
clientID = 34     clientSeq = 330    SNMP RF Client
clientID = 29     clientSeq = 340    ATM
clientID = 35     clientSeq = 350    History RF Client
clientID = 50     clientSeq = 530    SNMP HA RF Client
clientID = 65000  clientSeq = 65000  RF_LAST_CLIENT
```

## Configuring Nonstop Forwarding (NSF)

Cisco Nonstop Forwarding (NSF) always runs together with SSO. If you have not already configured SSO, refer to the “[Configuring a Stateful Switchover \(SSO\)](#)” section on page 49. Cisco NSF is supported by the BGP, OSPF, and IS-IS protocols for routing and by Cisco Express Forwarding (CEF) for forwarding. Of the routing protocols, BGP, OSPF, and IS-IS have been enhanced with NSF-capability and awareness, which means that routers running these protocols can detect a switchover and take the necessary actions to continue forwarding network traffic and to recover route information from the peer devices. The IS-IS protocol can be configured to use state information that has been synchronized between the active and the standby RSP to recover route information following a switchover instead of information received from peer devices.

A device is said to be NSF-capable if it has been configured to support NSF; therefore, it would rebuild routing information from NSF-aware or NSF-capable neighbors.

Each protocol depends on CEF to continue forwarding packets during switchover while the routing protocols rebuild the Routing Information Base (RIB) tables. Once the routing protocols have converged, CEF updates the FIB table and removes stale route entries. CEF, in turn, updates the line cards with the new FIB information.

See the following sections for the NSF feature. Each task in the list is identified as either required or optional.

- [Configuring CEF NSF, page 52](#) (required)
- [Configuring BGP NSF, page 52](#) (required)
- [Configuring OSPF NSF, page 53](#) (required)
- [Configuring IS-IS NSF, page 53](#) (required)
- [Verifying CEF NSF, page 54](#) (optional)
- [Verifying BGP NSF, page 55](#) (optional)
- [Verifying OSPF NSF, page 56](#) (optional)
- [Verifying IS-IS NSF, page 56](#) (optional)
- [Troubleshooting NSF Features, page 58](#) (optional)
- [BGP NSF Configuration Example, page 59](#) (optional)
- [BGP NSF Neighbor Device Configuration Example, page 59](#) (optional)
- [OSPF NSF Configuration Example, page 59](#) (optional)
- [IS-IS NSF Configuration Example, page 59](#) (optional)

### Configuring CEF NSF

The CEF NSF feature operates by default while the networking device is running in SSO mode. No configuration is necessary.

### Configuring BGP NSF



Note

---

You must configure BGP graceful restart on all peer devices participating in BGP NSF.

---

To configure BGP for NSF, use the following commands beginning in privileged EXEC configuration mode, and repeat this procedure on each of the BGP NSF peer devices:

	Command	Purpose
Step 1	Router# <b>configure terminal</b>	Enters global configuration mode.
Step 2	Router(config)# <b>router bgp as-number</b>	Enables a BGP routing process, and enters router configuration mode.
Step 3	Router(config-router)# <b>bgp graceful-restart</b>	Enables the BGP graceful restart capability, starting NSF for BGP.  If you enter this command after the BGP session has been established, you must restart the session for the capability to be exchanged with the BGP neighbor.  Use this command on the restarting router and all of its peers.

### Configuring OSPF NSF



**Note** All peer devices participating in OSPF NSF must be made OSPF NSF-aware, which happens automatically once you install an NSF software image on the device.

To configure NSF for OSPF, use the following commands beginning in privileged EXEC configuration mode:

	Command	Purpose
Step 1	Router# <b>configure terminal</b>	Enters global configuration mode.
Step 2	Router(config)# <b>router ospf processID</b>	Enables an OSPF routing process, and enters router configuration mode.
Step 3	Router(config-router)# <b>nsf</b>	Enables NSF operations for OSPF.

### Configuring IS-IS NSF

To configure NSF for IS-IS, use the following commands beginning in privileged EXEC configuration mode:

	Command	Purpose
Step 1	Router# <b>configure terminal</b>	Enters global configuration mode.
Step 2	Router(config)# <b>router isis [tag]</b>	Enables an IS-IS routing process, and enters router configuration mode.

	Command	Purpose
Step 3	Router(config-router)# <b>nsf</b> [ <b>cisco</b>   <b>ietf</b> ]	Enables NSF operation for IS-IS.  Use the <b>ietf</b> keyword to enable IS-IS in homogeneous network where adjacencies with networking devices supporting IETF draft-based restartability is guaranteed.  Use the <b>cisco</b> keyword to run IS-IS in heterogeneous networks that might not have adjacencies with NSF-aware networking devices.
Step 4	Router(config-router)# <b>nsf interval</b> [ <i>minutes</i> ]	(Optional) Specifies the minimum time between NSF restart attempts. The default time between consecutive NSF restart attempts is 5 minutes.
Step 5	Router(config-router)# <b>nsf t3</b> { <b>manual</b> [ <i>seconds</i> ]   <b>adjacency</b> }	(Optional) Specifies the time IS-IS will wait for the IS-IS database to synchronize before generating overloaded link-state information for itself and flooding that information out to its neighbors.  The <b>t3</b> keyword applies only if you selected <b>ietf</b> operation. Specifying <b>adjacency</b> means that the restarting router obtains its wait time from neighboring devices.
Step 6	Router(config-router)# <b>nsf interface wait</b> <i>seconds</i>	(Optional) Specifies how long an IS-IS NSF restart will wait for all interfaces with IS-IS adjacencies to come up before completing the restart. The default is 10 seconds.

## Verifying CEF NSF

To verify that CEF is NSF-capable, use the **show cef state** command:

```
Router# show cef state
CEF Status [RP]
CEF enabled/running
dCEF enabled/running
CEF switching enabled/running
CEF default capabilities:
Always FIB switching: no
Default CEF switching: yes
Default dCEF switching: no
Update HWIDB counters: no
Drop multicast packets: no
Output dCAR supported: no
OK to punt packets: yes
NVGEN CEF state: no
fastsend() used: no
ACL logging at irq: no
Per-packet loadbalancing: no
Allow CEF re-enable: no
MAC accounting on RP: no
Background ADJ updater: no
Force loadinfo structures: no
CEF NSF capable: yes
IPC delayed func on SSO: no
FIB auto repair supported: yes
HW forwarding on this platform: no
HW forwarding in this CEF instance:no
LCs not running at init time:no
IP CEF accounting supported:yes
RP state:
```

```

Expanded LC ipc memory: 0 Kbytes
Linecard reloader type: aggressive (Default)
RRP state:
I am standby RRP: no
RF Peer Presence: yes
RF PeerComm reached: yes
Redundancy mode: sso(7)
CEF NSF: enabled/running

```

## Verifying BGP NSF

To verify NSF for BGP, you must check that the graceful restart function is configured on the SSO-enabled networking device and on the neighbor devices. Perform the following steps:

- 
- Step 1** Verify that “bgp graceful-restart” appears in the BGP configuration of the SSO-enabled router by entering the **show running-config** command:
- Step 2** Repeat Step 1 on each of the BGP neighbors.
- Step 3** On the SSO device and the neighbor device, verify that the graceful restart function is shown as both advertised and received, and confirm the address families that have the graceful restart capability. If no address families are listed, then BGP NSF also will not occur:

```

Router# show running-config
router bgp 120
  bgp graceful-restart
  neighbor 10.2.2.2 remote-as 300

Router# show ip bgp neighbors x.x.x.x
BGP neighbor is 192.168.2.2, remote AS YY, external link
  BGP version 4, remote router ID 192.168.2.2
  BGP state = Established, up for 00:01:18
  Last read 00:00:17, hold time is 180, keepalive interval is 60 seconds
  Neighbor capabilities:
    Route refresh:advertised and received(new)
    Address family IPv4 Unicast:advertised and received
    Address family IPv4 Multicast:advertised and received
    Graceful Restart Capabilty:advertised and received
    Remote Restart timer is 120 seconds
    Address families preserved by peer:
      IPv4 Unicast, IPv4 Multicast
  Received 1539 messages, 0 notifications, 0 in queue
  Sent 1544 messages, 0 notifications, 0 in queue
  Default minimum time between advertisement runs is 30 second

```

---

## Verifying OSPF NSF

To verify NSF for OSPF, you must check that the NSF function is configured on the SSO-enabled networking device. Perform the following steps:

- Step 1** Verify that “nsf” appears in the OSPF configuration of the SSO-enabled device by entering the **show running-config** command:

```
Router# show running-config
router ospf 120
log-adjacency-changes
nsf
network 192.168.20.0 0.0.0.255 area 0
network 192.168.30.0 0.0.0.255 area 1
network 192.168.40.0 0.0.0.255 area 2
```

- Step 2** Use the **show ip ospf** command to verify that NSF is enabled on the device:

```
Router> show ip ospf
Routing Process "ospf 1" with ID 192.168.2.1 and Domain ID 0.0.0.1
Supports only single TOS(TOS0) routes
Supports opaque LSA
SPF schedule delay 5 secs, Hold time between two SPFs 10 secs
Minimum LSA interval 5 secs. Minimum LSA arrival 1 secs
Number of external LSA 0. Checksum Sum 0x0
Number of opaque AS LSA 0. Checksum Sum 0x0
Number of DCbitless external and opaque AS LSA 0
Number of DoNotAge external and opaque AS LSA 0
Number of areas in this router is 1. 1 normal 0 stub 0 nssa
External flood list length 0
Non-Stop Forwarding enabled, last NSF restart 00:02:06 ago (took 44 secs)
Area BACKBONE(0)
Number of interfaces in this area is 1 (0 loopback)
Area has no authentication
SPF algorithm executed 3 times
```

## Verifying IS-IS NSF

To verify NSF for IS-IS, you must check that the NSF function is configured on the SSO-enabled networking device. Perform the following steps:

- Step 1** Verify that “nsf” appears in the IS-IS configuration of the SSO-enabled device by entering the **show running-config** command. The display will show either Cisco IS-IS or IETF IS-IS configuration. The following display indicates that the device uses the Cisco implementation of IS-IS NSF:

```
Router# show running-config
router isis
nsf cisco
```

- Step 2** If the NSF configuration is set to **cisco**, use the **show isis nsf** command to verify that NSF is enabled on the device. Using the Cisco configuration, the display output will be different on the active and standby RSPs. The following display shows sample output for the Cisco configuration on the active RSP.

In this example, note the presence of “NSF restart enabled”:

```
Router# show isis nsf
NSF is ENABLED, mode 'cisco'
```



```
RP is ACTIVE, standby ready, bulk sync complete
NSF interval timer expired (NSF restart enabled)
Checkpointing enabled, no errors
Local state:ACTIVE, Peer state:STANDBY HOT, Mode:SSO
```

The following display shows sample output for the Cisco configuration on the standby RSP. In this example, note the presence of “NSF restart enabled”:

```
Router# show isis nsf
NSF enabled, mode 'cisco'
RP is STANDBY, chkpt msg receive count:ADJ 2, LSP 7
NSF interval timer notification received (NSF restart enabled)
Checkpointing enabled, no errors
Local state:STANDBY HOT, Peer state:ACTIVE, Mode:SSO
```

**Step 3** If the NSF configuration is set to **ietf**, use the **show isis nsf** command to verify that NSF is enabled on the device. The following display shows sample output for the IETF IS-IS configuration on the networking device:

```
Router# show isis nsf
NSF is ENABLED, mode IETF
NSF pdb state:Inactive
NSF L1 active interfaces:0
NSF L1 active LSPs:0
NSF interfaces awaiting L1 CSNP:0
Awaiting L1 LSPs:
NSF L2 active interfaces:0
NSF L2 active LSPs:0
NSF interfaces awaiting L2 CSNP:0
Awaiting L2 LSPs:
Interface:Serial3/0/2
  NSF L1 Restart state:Running
  NSF p2p Restart retransmissions:0
  Maximum L1 NSF Restart retransmissions:3
  L1 NSF ACK requested:FALSE
  L1 NSF CSNP requested:FALSE
  NSF L2 Restart state:Running
  NSF p2p Restart retransmissions:0
  Maximum L2 NSF Restart retransmissions:3
  L2 NSF ACK requested:FALSE
Interface:GigabitEthernet2/0/0
  NSF L1 Restart state:Running
  NSF L1 Restart retransmissions:0
  Maximum L1 NSF Restart retransmissions:3
  L1 NSF ACK requested:FALSE
  L1 NSF CSNP requested:FALSE
  NSF L2 Restart state:Running
  NSF L2 Restart retransmissions:0
  Maximum L2 NSF Restart retransmissions:3
  L2 NSF ACK requested:FALSE
  L2 NSF CSNP requested:FALSE
Interface:Loopback1
  NSF L1 Restart state:Running
  NSF L1 Restart retransmissions:0
  Maximum L1 NSF Restart retransmissions:3
  L1 NSF ACK requested:FALSE
  L1 NSF CSNP requested:FALSE
  NSF L2 Restart state:Running
  NSF L2 Restart retransmissions:0
  Maximum L2 NSF Restart retransmissions:3
  L2 NSF ACK requested:FALSE
  L2 NSF CSNP requested:FALSE
```

## Troubleshooting NSF Features

To troubleshoot the NSF feature, use the following commands in privileged EXEC configuration mode, as needed:

Command	Purpose
Router# <b>clear cef epoch</b>	Begins a new epoch and increments the epoch number for a CEF table.
Router# <b>debug isis nsf [detail]</b>	Displays information about the IS-IS state during a Cisco NSF restart.
Router# <b>debug ospf nsf [detail]</b>	Displays debugging messages related to OSPF Cisco NSF commands.
Router# <b>show cef nsf</b>	Displays the current NSF state of CEF on both the active and standby RSPs.
Router# <b>show cef state</b>	Displays the state of CEF on a networking device.
Router# <b>show clns neighbors</b>	Display both end-system (ES) and intermediate system (IS) neighbors.
Router> <b>show ip bgp</b>	Displays entries in the BGP routing table.
Router# <b>show ip bgp neighbor</b>	Displays information about the TCP and BGP connections to neighbor devices.
Router# <b>show ip cef</b>	Displays entries in the FIB that are unresolved, or displays a FIB summary.
Router> <b>show ip ospf</b>	Displays general information about OSPF routing processes.
Router> <b>show ip ospf neighbor [detail]</b>	Displays OSPF-neighbor information on a per-interface basis.
Router# <b>show isis database [detail]</b>	Displays the IS-IS link-state database.
Router# <b>show isis nsf</b>	Displays the current state information regarding IS-IS Cisco NSF.

## NSF Troubleshooting Tips

For the following troubleshooting situations, try the corresponding recommended action to resolve the problem.

**Symptom** The system displays FIB errors.

**Recommended Action** Use the **show cef state** command to verify that distributed CEF switching is enabled on your platform. To enable distributed CEF, use the **ip cef distributed** command in global configuration mode on the active RSP.

**Symptom** Cannot determine if an OSPF neighbor is NSF-aware.

**Recommended Action** To verify whether an OSPF neighbor device is NSF-aware and if NSF is operating between them, use the **show ip ospf neighbor detail** command.

**Symptom** The system loses, or appears to lose, adjacencies with network peers following a stateful switchover.

**Recommended Action** Use the **show clns neighbors detail** command to find any neighbors that do not have “NSF capable” and make sure that they are running NSF-aware images. Additionally, for ISIS, the standby RSP must be stable for 5 minutes (default) before another restart can be initiated. Use the **nsf interval** command to reset the restart period.

## BGP NSF Configuration Example

The following example configures BGP NSF on a networking device:

```
Router# configure terminal
Router(config)# router bgp 590
Router(config-router)# bgp graceful-restart
```

## BGP NSF Neighbor Device Configuration Example

The following example configures BGP NSF on a neighbor router. All devices supporting BGP NSF must be NSF-aware, meaning that these devices recognize and advertise graceful restart capability.

```
Router# configure terminal
Router(config)# router bgp 770
Router(config-router)# bgp graceful-restart
```

## OSPF NSF Configuration Example

The following example configures OSPF NSF on a networking device:

```
Router# configure terminal
Router(config)# router ospf 400
Router(config-router)# nsf
```

## IS-IS NSF Configuration Example

The following example configures Cisco proprietary IS-IS NSF operation on a networking device:

```
Router# configure terminal
Router(config)# router isis
Router(config-router)# nsf cisco
```

The following example configures IS-IS NSF for IETF operation on a networking device:

```
Router# configure terminal
Router(config)# router isis
Router(config-router)# nsf ietf
```

## Performing a Fast Software Upgrade

To perform a Fast Software Upgrade (FSU), use the following commands beginning in privileged EXEC configuration mode:

Command	Purpose
<p><b>Step 1</b> Router# <b>copy tftp slotslot-number:</b></p> <p>Address or name of remote host []? <i>ip-address</i></p> <p>Name of file to copy []? <i>imagename</i>&lt;Return&gt; writing filename!!</p> <p>Destination filename? [<i>imagename1</i>] &lt;Return&gt; Accessing tftp://host <i>ip-address</i>/file '<i>imagename</i>' on <i>ip-address</i>.. found ! 11188128 bytes copied in 2280.664 secs (4906 bytes/sec)</p>	<p>Uses TFTP to copy a high availability Cisco IOS image onto the Flash memory card or Flash Disk of the active RSP.<sup>1</sup></p> <ul style="list-style-type: none"> <li>• <i>slotslot-number</i>—Specifies the Flash memory card or Flash Disk of the active RSP.</li> </ul> <p>The router prompts you for the IP address of the TFTP server.</p> <ul style="list-style-type: none"> <li>• <i>ip-address</i>—Specifies the IP address of the TFTP server that contains the new image.</li> </ul> <p>The router prompts you for the name of the image file you are copying to the Flash memory card or Flash Disk.</p> <ul style="list-style-type: none"> <li>• <i>imagename</i>—Indicates the name of the image to be loaded onto the Flash memory card or Flash Disk.</li> </ul> <p>The router prompts you to type the name under which you want the file to appear at the destination.</p> <ul style="list-style-type: none"> <li>• <i>imagename1</i>—Indicates the name of the image as it appears at the destination.</li> </ul> <p><b>Note</b> Step 1 and Step 2 are the same. Step 1 applies to the active RSP, and Step 2 applies to the standby RSP.</p>

Step 2	<p>Router# <b>copy tftp slotslot-number:</b></p> <p>Address or name of remote host []? <i>ip-address</i></p> <p>Name of file to copy []? <i>imagename</i>&lt;Return&gt; writing filename!!</p> <p>Destination filename? [<i>imagename1</i>] &lt;Return&gt; Accessing tftp://host <i>ip-address</i>/file '<i>imagename</i>' on <i>ip-address</i>.. found ! 11188128 bytes copied in 2280.664 secs (4906 bytes/sec)</p>	<p>Uses TFTP to copy a high availability Cisco IOS image onto the Flash memory card or Flash Disk of the standby RSP.</p> <ul style="list-style-type: none"> <li>• <b>slaveslotslot-number</b>—Specifies the Flash memory card or Flash Disk of the standby RSP.</li> </ul> <p><b>Note</b> Step 1 and Step 2 are the same. Step 1 applies to the active RSP, and Step 2 applies to the the standby RSP.</p> <p>The router prompts you for the IP address of the TFTP server.</p> <ul style="list-style-type: none"> <li>• <i>ip-address</i>—Specifies the IP address of the TFTP server that contains the new image</li> </ul> <p>The router prompts you for the name of the image file you are copying to the Flash memory card or Flash Disk.</p> <ul style="list-style-type: none"> <li>• <i>imagename</i>—Indicates the name of the image to be loaded onto the Flash memory card or Flash Disk.</li> </ul> <p>The router prompts you to type the name under which you want the file to appear at the destination.</p> <ul style="list-style-type: none"> <li>• <i>imagename1</i>—Indicates the name of the image as it appears at the destination.</li> </ul>
Step 3	Router# <b>configure terminal</b>	Enters global configuration mode.
Step 4	Router(config)# <b>hw-module slot slot-number image file-spec</b>	<p>Specifies the image to be used by the active RSP at initialization. If a high-availability image is found, the running configuration is updated.</p> <ul style="list-style-type: none"> <li>• <i>slot-number</i>—Specifies the active RSP slot where the Flash memory card or Flash Disk is located. Valid numbers are slot 2 or slot 3 for a Cisco 7507 router or slot 6 or slot 7 for a Cisco 7513 router.</li> <li>• <i>file-spec</i>—Indicates the Flash device and the name of the image on the active RSP.</li> </ul>
Step 5	Router(config)# <b>hw-module slot slot-number image file-spec</b>	<p>Specifies the image to be used by the standby RSP at initialization. If a high-availability image is found, the running configuration is updated.</p> <ul style="list-style-type: none"> <li>• <i>slot-number</i>—Specifies the standby RSP slot where the Flash memory card or Flash Disk is located. Valid numbers are slot 2 or slot 3 for a Cisco 7507 router or slot 6 or slot 7 for a Cisco 7513 router.</li> <li>• <i>file-spec</i>—Indicates the Flash device and the name of the image of the standby RSP.</li> </ul>

Step 6	Router(config)# <b>slave auto-sync config</b>	(Optional) Turns on automatic synchronization of configuration files. Use this command to ensure that the active and standby RSPs contain the same configuration files.
Step 7	Router(config)# <b>end</b>	Exits global configuration mode and returns you to privileged EXEC configuration mode.
Step 8	Router# <b>copy running-config startup-config</b>	Saves the configuration changes to your startup configuration in NVRAM so the router boots with the configuration you have entered.
Step 9	Router# <b>hw-module sec-cpu reset</b>	Resets and reloads the standby RSP with the specified Cisco IOS image and executes the image.  <b>Note</b> If you do not specify a Cisco IOS image in Step 2, this command loads and executes the bundled default IOS standby image. The system then operates in HSA mode.
Step 10	Router# <b>redundancy force-switchover</b>	Forces a switchover to the standby RSP.

1. Before you copy a file to Flash memory, be sure there is ample space available in Flash memory. Compare the size of the file you are copying to the amount of available Flash memory shown. If the space available is less than the space required by the file you will copy, the copy process will continue, but the entire file will not be copied into Flash memory.

## Fast Software Upgrade Example

The following example show a Fast Software Upgrade performed on a Cisco 7507 router with an active RSP in slot 2 and a standby RSP installed in slot 3.

```
Router# copy tftp slot0:rsp-pv-mz
Router# copy tftp slaveslot0:rsp-pv-mz
Router# configure terminal
Router(config)# hw-module slot 2 image slot0:rsp-pv-mz
Router(config)# hw-module slot 3 image slot0:rsp-pv-mz
Router(config)# end
Router# hw-module sec-cpu reset
Router# copy running-config startup-config
Router# redundancy force-switchover
```

## Configuring SLCR

The Cisco 7500 SLCR feature is disabled by default. Therefore, the process for disabling this feature is only necessary if the Cisco 7500 SLCR feature has been enabled by the user on the Cisco 7500 series router.

### Enabling SLCR

To enable the Cisco 7500 Single Line Card Reload (SLCR) feature, use the **service single-slot-reload-enable** global configuration command on the Cisco 7500 series router.

Command	Purpose
Router(config)# <b>service single-slot-reload-enable</b>	Enables single line card reloading for all of the line cards in the Cisco 7500 series router.

## Disabling SLCR

To disable the Cisco 7500 Single Line Card Reload feature, use the **no service single-slot-reload-enable** global configuration command on the Cisco 7500 series router.

Command	Purpose
Router(config)# <b>no service single-slot-reload-enable</b>	Disables single line card reloading for all of the line cards in the Cisco 7500 series router.

## Verifying Cisco 7500 SLCR

Use the **show running-config** command to verify that single line card reloading has been successfully enabled on the Cisco 7500 series router. If the *service single-slot-reload-enable* line appears in the command output, Cisco 7500 SLCR is enabled. If this line does not appear in the command output, Cisco 7500 SLCR is disabled.

## SLCR Configuration Example

In the following example, SLCR is enabled for all lines cards in the Cisco 7500 series router:

```
Router(config)# service single-slot-reload-enable
```

In the following example, SLCR is disabled for all line cards in the Cisco 7500 series router:

```
Router(config)# no service single-slot-reload-enable
```

## SLCR Troubleshooting Tips

The **debug oir** command is used to debug the online insertion and removal (OIR) feature (which is also known as hot-swapping or power-on servicing). The **debug oir** command is often useful in debugging problems related to OIR, including single line card reloading.

## RPR, RPR+, SSO, and FSU Troubleshooting Tips

Use the commands in the table below to troubleshoot the RPR, RPR+, SSO, and FSU features on Cisco 7500 series routers:

Command	Purpose
Router# <b>show diag</b>	Displays hardware information for the router.
Router# <b>show redundancy</b>	Displays the redundancy mode of the RSP. This command also displays information about the number of switchovers, system uptime, RSP uptime, and reasons for any switchovers.
Router# <b>show version</b>	Displays image information for each RSP.

# Monitoring and Maintaining the Active and Standby RSPs

To display information about the active and the standby RSPs, use any of the following commands beginning in privileged EXEC configuration mode:

Command	Purpose
Router# <b>show boot var</b>	Displays the environmental variable settings and configuration register settings for the active and the standby RSPs.
Router# <b>show flash all</b>	Shows a list of Flash devices currently supported on the router.
Router# <b>show version</b>	Displays the software version running on the active and the standby RSPs.

## Troubleshooting the Installation

This section contains procedures to follow if your system does not restart as expected. Review the descriptions that follow so you can anticipate the expected system startup sequence. Then restart the system and try to isolate the problem by observing the LEDs as the system attempts to boot the software and initialize the RSPs and each interface processor.

This section includes the following topics:

- [Verifying LEDs, page 64](#)
- [Verifying System Startup Sequence, page 66](#)
- [Troubleshooting a Router That is Failing to Boot, page 68](#)
- [Troubleshooting a Failed RSP8, page 68](#)

## Verifying LEDs

Following are functional descriptions of the LEDs on the power supplies and processor modules, and the behavior you should observe at system startup.

### System Power LEDs

On the router, the AC (or DC) OK LED is located on each power supply. If this LED does not go on and stay on, there is most likely a problem with the input power or one of the internal DC lines.

The AC (or DC) OK LED will not go on or will go off if the power supply reaches an out-of-tolerance temperature or voltage condition. It is unlikely that the power supply will shut down during startup because of an over-temperature condition; however, it can shut down if it detects an over- or undervoltage condition during startup. For descriptions of environmental monitoring functions, refer to the *Cisco 7500 Series Installation and Configuration Guide*, which is available online, on the Documentation CD-ROM, or in print.



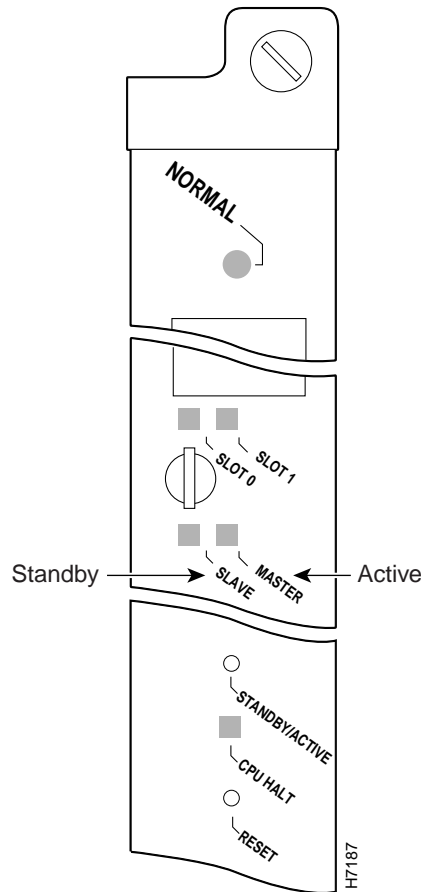
## RSP8 LEDs

Figure 12 shows the LEDs on the RSP8 faceplate. The LEDs on the RSP8 indicate the system and RSP8 status and which PC Card slot is active. The CPU halt LED, which goes on only if the system detects a processor hardware failure, should remain off. A successful boot is indicated when the normal LED goes on; however, this does not necessarily mean that the system has reached normal operation. During normal operation, the CPU halt LED should be off, and the normal LED should be on, indicating that the RSP8 is receiving +5V. The slot 0 and slot 1 LEDs indicate which PC Card slot is in use, and each LED blinks when the card is accessed by the system. The active and the standby LEDs provide a visual indication of whether the RSP8 is designated an active or a standby device.



**Note** The Active/Standby switch has been deactivated in software.

Figure 12 RSP8 LEDs, Standby/Active Switch, and Reset Switch (Vertical Partial Front-Panel View)



**Caution**

The reset switch (see Figure 12) resets the RSP8 and the entire system. To prevent system errors and problems, use it *only* at the direction of your Cisco-certified service representative.

## Verifying System Startup Sequence

By checking the state of the LEDs, you can determine when and where the system failed in the startup sequence. Because you turn on the system power with the on/off switches on each power supply, it is easiest to observe the startup behavior from the rear of the router. Use the following descriptions of the normal startup sequence to isolate the problem, and then use the troubleshooting procedures wherever the system fails to operate as expected. If you are able to isolate the problem to a faulty hardware component, or if you are unable to successfully restart the system, see the [“Obtaining Technical Assistance” section on page 89](#) for instructions on contacting a service representative.



**Note**

The time required for the system to initialize (boot) might vary with different router configurations and the amount of memory that must be initialized. During the system startup sequence, the time required to initialize the memory (not necessarily the entire boot sequence) in a system that contains 256 MB of DRAM might be longer than in a system that contains less DRAM.

During the boot sequence, the system banner display pauses while it initializes the memory. Because your RSP8 has more than 32 MB of DRAM, you might notice an increase in the amount of time required to initialize the memory. The pause in the banner display occurs after the copyright line and before the system displays the list of installed hardware, as shown in the following display:

```
%SYS-5-RELOAD: Reload requested
System Bootstrap, Version 11.1
Copyright (c) 1986-1999 by cisco Systems, Inc.
```

[System initializes memory at this point in the display]



**Note**

The procedures in this section are based on the assumption that your system was operating correctly until you removed (or replaced) the RSP8. If the following sequence uncovers a new problem with the power subsystem or one of the interface processors, refer to the *Cisco 7500 Series Installation and Configuration Guide* for system startup troubleshooting procedures.

Use the following startup sequences and troubleshooting procedures to isolate system problems:

- Step 1** When you restart the system, the system power and AC (DC) OK LEDs should go on.
- If the system power LED remains off, the RSP8 is probably not fully inserted and connected to the backplane. Loosen the captive installation screws on the RSP8, and then use the ejector levers to release the RSP8 and reseal it in the backplane. (For a description and illustration of the ejector levers, see the [“Removing the RSP8” section on page 16.](#)) Tighten both captive installation screws.
- If the system power LED still fails to go on as expected, a power supply or input power failure could be the problem. Before contacting a service representative, refer to the *Cisco 7500 Series Installation and Configuration Guide* for power subsystem troubleshooting procedures.
- If the system power LED goes on, the power source is good, and the power supply is functional.
- When the system power LED indicates normal operation, proceed to the next step.
- Step 2** Listen for the system blower and observe the fan OK LED. You should hear the system blower start operating immediately after you turn on the system power. If you determine that the power supply is functioning normally and that an internal fan (or the system blower) is faulty, contact a service representative. If the blower or a power supply fan does not function properly at initial startup, you cannot make any installation adjustments.

- Step 3** When you have verified that the power supply is functioning properly, observe the LEDs on the RSP8. The CPU halt LED always turns on during initial power-up of an RSP8 and remains on for approximately one-half second, then turns off. If it remains on during the startup sequence, the system has encountered a processor hardware error.
- Use the **show version** command to check the current configuration register settings.
  - If the CPU halt LED remains on during a second startup attempt, suspect a processor hardware error and contact a service representative.
- Step 4** During the boot process, the LEDs on most of the interfaces light in irregular sequence; this does not indicate either correct system startup or failure.
- Step 5** When the system boot is complete, the RSP8 begins to initialize the interface processors. During this initialization, the LEDs on each interface processor behave differently (most flash on and off). The enabled LED on each interface processor goes on when initialization has been completed.
- If the enabled LEDs on the interface processors go on, the system has booted successfully and is now functional.
  - If the RSP8 LEDs previously indicated a successful system boot, but none of the enabled LEDs on the interface processors go on, suspect that one of the interface processors has shifted out of its backplane connector and halted the system. Use the ejector levers to release the interface processor and reseal it in the backplane. (For an illustration of the ejector levers, see [Figure 3 on page 17.](#)) Tighten both captive installation screws.
  - If the enabled LED on a single interface processor remains off, suspect that the interface processor has shifted out of its slot. Use the ejector levers to release the interface processor and reseal it in the backplane. (For an illustration of the ejector levers, see [Figure 3 on page 17.](#)) Tighten both captive installation screws. After the system reinitializes the interfaces, the enabled LED on the interface processor should go on.
  - If an enabled LED still fails to go on after you perform these steps, suspect that the specific interface processor has failed.
- Step 6** When the system boot is complete and all interface processors have been initialized, the active RSP8's console screen displays a script and a system banner similar to the following:
- ```
System Bootstrap, Version 11.1, RELEASED SOFTWARE
Copyright (c) 1986-1999 by cisco Systems, Inc.
SLOT 6 RSP8 is system master (SLOT 2 for a Cisco 7507)
SLOT 7 RSP8 is system slave (SLOT 3 for a Cisco 7507, if installed)
RSP8 processor with 128 Mbytes of main memory

ROM: System Bootstrap, Version 11.1 [biff 2], RELEASE SOFTWARE (fcl)
ROM: GS Bootstrap Software (RSP-BOOT-M), Version 10.3(7), RELEASE SOFTWARE

Warning: monitor nvram area is corrupt... using default values
SLOT 6 RSP8 is system master
SLOT 7 RSP8 is system slave
RSP8 processor with 128 Mbytes of main memory

[additional displayed text omitted from this example]
```
- If all the previous conditions are met and this banner is displayed, the system startup was successful and your installation is complete.
  - If an error message is displayed on the terminal, refer to the appropriate software publication for error message definitions.
  - If the console screen is blank, check the terminal to ensure that it is turned on and that the console cable is correctly connected between the terminal and the console port on the RSP8.

- Check the terminal settings to ensure that the terminal is set for 9600 baud, 8 data bits, no parity, and 2 stop bits.
- If the terminal is set correctly and still fails to operate, suspect that the terminal is faulty. Connect a different terminal and restart the system.

If the system still fails to start up or operate properly, or if you isolate the cause of the problem to a failed component, contact a service representative for further assistance.

This completes the procedure for verifying system startup.

## Troubleshooting a Router That is Failing to Boot

The Cisco 7500 series routers require that the first file on bootflash be a boot image. If it is not, the bootstrap software attempts to boot whatever file is first. While attempting to boot a non-image file, the system either crashes or hangs. The symptom for the RSP might be a series of Cs (CCCCC) displayed on the console. To troubleshoot, install a Flash Disk with a bootable first image in slot 0 of the RSP to allow the router to boot the Cisco IOS image. Verify the system boot settings using the **show bootvar** command.



### Note

If the configuration register is set incorrectly, this could lead to a boot failure. Refer to the [“Software Configuration Register Settings” section on page 82](#) for instructions on setting your configuration register. Setting the config-register to 0x0 sets the boot variable to boot to ROMmon.

If your router continues to experience this problem, open a case with TAC. See the [“Obtaining Technical Assistance” section on page 89](#) for more information.

## Troubleshooting a Failed RSP8

This section describes actions that you can take to correct or obtain information when an RSP fails. It includes the following topics:

- [Troubleshooting RSP Boot Errors During OIR of an Interface Processor, page 68](#)
- [Reloading a Failed RSP, page 69](#)
- [Displaying a Stack Trace of an RSP, page 69](#)
- [Displaying Other Information About the RSPs, page 69](#)

## Troubleshooting RSP Boot Errors During OIR of an Interface Processor

If you have a Cisco 7507 or a Cisco 7513 with an RSP8 configured as the system standby, we strongly recommend that you use the following procedure to remove and replace an interface processor:

- 
- Step 1** Remove the standby RSP8.
  - Step 2** Wait 15 seconds.
  - Step 3** Remove and replace the interface processor, using the procedures in the configuration note that shipped with your interface processor or in the *Cisco 7500 Series Installation and Configuration Guide*.

- Step 4** Wait 15 seconds.
- Step 5** Reinsert the standby RSP8.

---

This completes the procedure to remove and replace an interface processor.

## Reloading a Failed RSP

When a new active RSP takes over ownership of the router, it automatically reboots the failed RSP as the standby RSP. You can also manually reload the failed RSP.

To manually reload a failed RSP from the active console, use the following command in privileged EXEC configuration mode:

| Command                                | Purpose                                |
|----------------------------------------|----------------------------------------|
| Router# <b>hw-module sec-cpu reset</b> | Reloads the inactive standby RSP card. |

## Displaying a Stack Trace of an RSP

To access the state of the failed RSP in the form of a stack trace from the active console, use the following command in privileged EXEC configuration mode:

| Command                                 | Purpose                                                                                   |
|-----------------------------------------|-------------------------------------------------------------------------------------------|
| Router# <b>show stacks</b> <sup>1</sup> | Displays the stack trace and version information of the active and the standby RSP cards. |

1. This command is documented in the “System Management Commands” chapter of the *Cisco IOS Configuration Fundamentals Command Reference* publication.

## Displaying Other Information About the RSPs

For information about other commands that you can use to display information about the RSPs, see the [“Monitoring and Maintaining the Active and Standby RSPs” section on page 64](#).

# Maintenance Information

This section includes the following RSP8 maintenance procedures:

- [Saving and Retrieving a Configuration File, page 69](#)
- [Replacing and Upgrading DRAM DIMMs, page 74](#)
- [Recovering a Lost Password, page 78](#)

## Saving and Retrieving a Configuration File

This section describes the procedures for saving and retrieving a system configuration file using a TFTP server.

Configuration information resides in two places when the router is operating: the startup default (permanent) configuration in NVRAM, and the running (temporary) memory in RAM. The default startup configuration always remains available; NVRAM retains the information even when the power is shut down. The current information is lost if the system power is shut down. The current configuration contains all nondefault configuration information that you added with the **configure** command, the setup facility, or editing of the configuration file.

The **configure** command adds the current configuration to the default configuration in NVRAM so that it is also saved when power is shut down. Whenever you make changes to the system configuration, use the **copy running-config startup-config** command to ensure that the new configuration is saved.

If you replace the RSP8 in a system with only one RSP8, you also replace the entire configuration, which resides in NVRAM on the RSP8. If you copy the configuration file to a remote server before removing the RSP8, you can retrieve it later and write it into NVRAM on the new RSP8. You can also use the **copy running-config slot0:config-file** command to save the configuration file to Flash memory, and then use the **copy slot0:config-file nvram:startup-config** command to restore it.

If you do not copy the configuration file, you must use the **configure** command or the **setup** command facility to re-enter the configuration information after you install the new RSP8. For complete descriptions of these two commands, and instructions for using them, refer to the Cisco IOS software documentation.

If you are temporarily removing an RSP8, it is not necessary to copy the configuration file to a remote server; the lithium batteries retain the configuration file in memory until you replace the RSP8 in the system. This procedure requires privileged-level access to the EXEC command interpreter, which usually requires a password. See the [“Using the EXEC Command Interpreter”](#) section on page 24 and contact your system administrator to obtain access, if necessary.

For configuration information and support, refer to the Cisco IOS software configuration documentation set that corresponds to the software release installed on your Cisco hardware.

## Using the ping Command to Ensure Connectivity

Before you attempt to copy or retrieve a file from a remote host, ensure that the connection is good between the router and the remote server by using the packet internet groper (ping) program. The ping program sends a series of echo request packets to the remote device and waits for a reply. If the connection is good, the remote device echoes them back to the local device.

The console terminal displays the results of each message sent: an exclamation point (!) indicates that the local device received an echo, and a period (.) indicates that the server timed out while awaiting the reply. If the connection between the two devices is good, the system displays a series of exclamation points (! !) or [ok]. If the connection fails, the system displays a series of periods (. .) or [timed out] or [failed].

To verify the connection between the router and a remote host, use the **ping** command followed by the name or Internet Protocol (IP) address of the remote server; then press **Return**. Although the **ping** command supports configurable options, the defaults, including IP as the protocol, are enabled when you enter a host name or address on the same line as the **ping** command. For a description of the configurable options, refer to the appropriate software documentation.

The following example shows a successful ping operation:

```
Router# ping 10.1.1.1
Type escape sequence to abort.
Sending 5, 100-byte ICMP Echos to 10.1.1.1, timeout is 2 seconds:
!!!!
Success rate is 100 percent (5/5), round-trip min/avg/max = 12/12/12 ms
```

The following example shows the results of a failed ping operation:

```

Sending 5, 100-byte ICMP Echos to 10.1.1.1, timeout is 2 seconds:
.....
Success rate is 0 percent (0/5)
Router#

```

If the connection fails, check the physical connection to the remote file server and verify that you are using the correct address or name, and then ping the server again. If you are unable to establish a good connection, contact your network administrator or see the [“Obtaining Technical Assistance”](#) section on page 89 for instructions on contacting technical assistance.

## Copying the Configuration File

Before you copy (save) the running configuration to a TFTP file server, ensure the following:

- You have a connection to the router either with a console terminal connected to the RSP8 console port or remotely through a Telnet session.
- The router is connected to a network supporting a file server (remote host).
- The remote host supports the TFTP application.
- You have the interface processor address or name of the remote host available.

To store information on a remote host, use the **copy startup-config tftp** privileged EXEC command. The command prompts you for the destination host’s address and a filename, and then displays the instructions for confirmation. When you confirm the instructions, the router sends a copy of the currently running configuration to the remote host. The system default is to store the configuration in a file called by the name of the router with *-config* appended. You can either accept the default filename by pressing **Return** at the prompt, or enter a different name before pressing **Return**.

To copy the currently running configuration to a remote host, perform the following steps:

- 
- Step 1** The system prompt should display a pound sign (#) to indicate the privileged level of the EXEC command interpreter. If it does not, follow the steps in the [“Using the EXEC Command Interpreter”](#) section on page 24 to enable the privileged level.
- Step 2** Use the **ping** command to check the connection between the router and the remote host. (See the previous section, [“Using the ping Command to Ensure Connectivity.”](#))
- Step 3** Use the **show running-config** command to display the currently running configuration on the terminal and ensure that the configuration information is complete and correct.
- Step 4** If it is not, use the **configure** command to add or modify the existing configuration. (Refer to the appropriate software documentation for descriptions of the configuration options available for the system and individual interfaces, and for specific configuration instructions.)



### Note

Before you can save (copy) a file to a TFTP server, a file must first exist on the TFTP server. Use the appropriate server commands to create this file and ensure that the filename matches the filename you will copy from the router. Also, ensure that the appropriate server permissions are set so the router can copy to this file.

- Step 5** Create a file on the TFTP server.
- Step 6** Use the **copy startup-config tftp** command. The EXEC command interpreter prompts you for the name or interface processor address of the remote host that is to receive the configuration file. (The prompt might include the name or address of a default file server.)

```
Router# copy startup-config tftp
```

```
Remote host []?
```

- Step 7** Type the name or interface processor address of the remote host. In the following example, the name of the remote server is *servername*:

```
Router# copy startup-config tftp
Remote host []? servername
Translating "servername"...domain server (10.1.1.1) [OK]
```

- Step 8** The EXEC command interpreter prompts you for the name of the file that will contain the configuration. By default, the system appends *-confg* to the router's name to create the new filename. Press **Return** to accept the default filename, or enter a different name for the file before pressing **Return**. In the following example, the default is accepted:

```
Name of configuration file to write [Router-confg]?
Write file Router-confg on host 10.1.1.1? [confirm]
Writing Router-confg .....
```

- Step 9** Before the router executes the copy process, it displays the instructions you entered for confirmation. If the instructions are not correct, type **n** (no) and then press **Return** to end the process. To accept the instructions, press **Return**, or press **y** and then press **Return**, and the system begins the copy process. In the following example, the default is accepted:

```
Write file Router-confg on host 10.1.1.1? [confirm]
Writing Router-confg: !!!! [ok]
```

While the router copies the configuration to the remote host, it displays a series of exclamation points (! ! !) or periods ( . . . ). The !!!! and [ok] indicate that the operation is successful. A series of periods (...) and [timed out] or [failed] indicates a failure, which would probably be due to a network fault or the lack of a writable, readable file on the remote file server.

- Step 10** If the display indicates that the process was successful (with the series of exclamation points [! ! !] and [ok]), the copy process is complete. The configuration is safely stored in the temporary file on the remote file server.

If the display indicates that the process failed (with the series of periods [ . . . ]) as shown in the following example:

```
Writing Router-confg .....
```

your configuration was not saved. Repeat the preceding steps, or select a different remote file server and repeat the preceding steps.

- Step 11** To further ensure that the configuration file was copied correctly, use the **show startup-config** command and look at the first line for the configuration file's size. Compare it with the file you copied to the TFTP server. Following is an example. (Take special note of the line preceded by >>.)

```
Router# show startup-config
>> Using 1186 out of 126968 bytes
!
version 11.1
hostname Router
Router#
```

After you upload the configuration file, you are prepared to replace the RSP. For more information see the [“Removing the RSP8” section on page 16](#). If you are unable to copy the configuration to a remote host successfully, contact your network administrator or see the [“Obtaining Technical Assistance” section on page 89](#) for instructions on contacting Cisco Systems for technical support.

---

This completes the procedure for copying the configuration file.



## Retrieving the Configuration File

This section describes how to retrieve the saved configuration and copy it to NVRAM. Enter privileged EXEC configuration mode and specify that you will configure the router from the network. The system prompts you for a host name and address, the name of the configuration file stored on the host, and confirmation to reboot using the remote file.

You can access the router through a console terminal attached to the RSP8 console port, or you can Telnet to the router from a remote terminal.

To retrieve the currently running configuration from a remote host, perform the following steps:

- 
- Step 1** On the console terminal, the system prompt should display a pound sign (#) to indicate the privileged level of the EXEC command interpreter. If it does not, follow the steps in the [“Using the EXEC Command Interpreter”](#) section on page 24 to enable the privileged level.



**Note** Until you retrieve the previous configuration, the router runs from the default configuration in NVRAM. Therefore, any passwords that were configured on the previous system are not valid until you retrieve the configuration.

---

- Step 2** Configure an interface port on the router for a connection to a remote host (TFTP server).
- Step 3** Use the **ping** command to verify the connection between the router and the remote host. (See the [“Using the ping Command to Ensure Connectivity”](#) section on page 70.)
- Step 4** At the system prompt, use the **copy tftp startup-config** command and press **Return** to enter the configuration mode and specify that you will configure the system from a network device (instead of from the console terminal, which is the default).

```
Router# copy tftp startup-config
```

- Step 5** The system prompts you for the IP address of the host. Type the IP address or name of the remote host (the remote TFTP server to which you originally saved the configuration file).

```
Address of remote host [255.255.255.255]? 10.1.1.1
```

- Step 6** The system prompts you to select a host or network configuration file. The default is host; press **Return** to accept the default.

```
Name of configuration file [Router-config]? Router-config
```

- Step 7** The system prompts you for the name of the configuration file. The default is to use the name of the router with the suffix *-config* (*router-config* in the following example). If you specified a different filename when you copied the configuration, type the filename; otherwise, press **Return** to accept the default.

```
Name of configuration file [Router-config]?
```

- Step 8** Before the system reloads the new configuration file in NVRAM, it displays the instructions you entered for confirmation. If the instructions are not correct, type **n** (no), and then press **Return** to cancel the process. To accept the instructions, press **Return**, or press **y** and then press **Return**. Output similar to the following appears:

```
Configure using Router-config from 10.1.1.1? [confirm]
Loading Router-config from 10.1.1.1: !! [OK - 1186/126927 bytes]
Warning: distilled config is not generated
[OK]
%SYS-5-CONFIG_NV: Non-volatile store configured from Router-config
by console tftp from 10.1.1.1
```

While the router retrieves and reloads the configuration file from the remote host, the console display indicates whether or not the operation is successful. A series of exclamation points (!!!!) and [OK] (as shown in the preceding example) indicates that the operation was successful. A series of periods (...) and [timed out] or [failed] indicate a failure (which would probably be due to a network fault or an incorrect server name, address, or filename).

The following is an example of a failed attempt to boot from a remote server:

```
Booting Router-config ..... [timed out]
```

**Step 9** If the display indicates that the process was successful, as shown in [Step 8](#), proceed to the [Step 10](#).

If the display indicates that the process failed, verify the name or address of the remote server and the filename, and repeat the preceding steps. If you are unable to retrieve the configuration file, contact your network administrator or see the “[Obtaining Technical Assistance](#)” section on [page 89](#) for instructions on contacting technical assistance.

**Step 10** To ensure that the configuration file was retrieved correctly, use the **show startup-config** command and look at the first line for the configuration file size. Compare it with the file you retrieved from the TFTP server to confirm that it is correct. Following is an example:

```
Router# show startup-config
Using 1186 out of 126968 bytes
!
version 11.1
hostname Router
!
Router#
```

**Step 11** To ensure that the startup configuration file stored in NVRAM is the default running configuration file used by the system, use the **copy running-config startup-config** command as follows:

```
Router# copy running-config startup-config
Router#
%SYS-5-CONFIG_I: Configured from memory by console
Router#
```

---

This completes the procedure for retrieving the saved configuration file.

## Replacing and Upgrading DRAM DIMMs

This section describes how to remove and replace RSP8 DRAM DIMMs.

The default DRAM configuration is 64 MB, residing on up to two DIMMs. The DRAM DIMM sockets are U12 (bank 0) and U15 (bank 1). (See [Figure 2](#) and [Table 4](#).)



### Caution

To prevent system problems, do *not* use DRAM single in-line memory modules (SIMMs) from an RSP2 in an RSP8. The RSP8 requires DRAM dual in-line memory modules (DIMMs).

---



### Note

Do not mix memory sizes. If installing two DIMMs, both DIMMs must be the same size. If your router includes redundant RSPs, the RSPs should have the same memory size.

---

**Note**

The total number of memory devices per DIMM differs for each manufacturer. The DIMMs in [Figure 2](#) are generic representations of the actual DRAM DIMMs for your RSP.

[Table 4](#) lists the various configurations of DRAM DIMMs that are available, the number of DIMMs for each configuration, and the DRAM banks they occupy. Note which banks are used, given the combinations of available DIMM sizes and the maximum DRAM you require.

**Table 4** RSP8 DRAM DIMM Configurations<sup>1</sup>

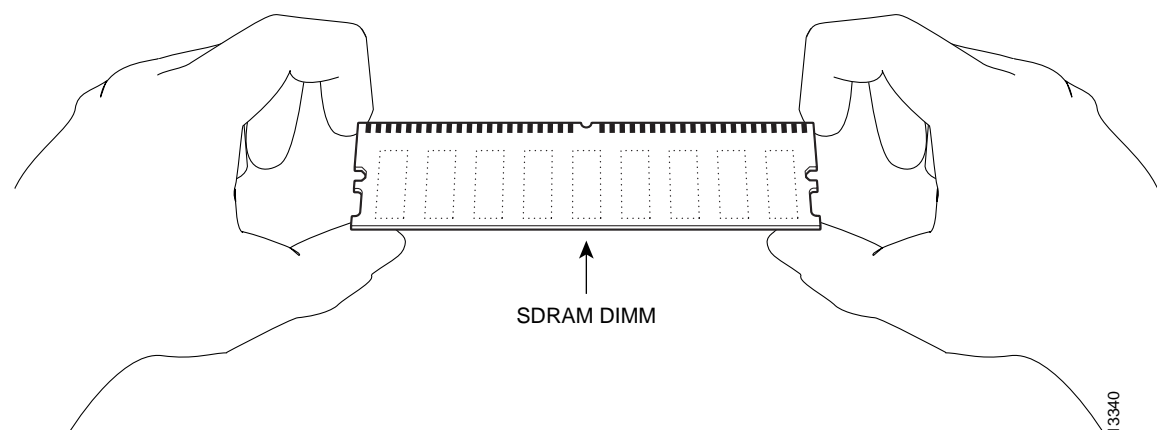
| Product Numbers            | Quantity                          | DRAM Sockets       | Totals |
|----------------------------|-----------------------------------|--------------------|--------|
| MEM-RSP8-64M= <sup>2</sup> | Two 32-MB DIMMs or one 64-MB DIMM | U12 and U15 or U12 | 64 MB  |
| MEM-RSP8-128M=             | One 128-MB DIMM                   | U12                | 128 MB |
| MEM-RSP8-256M=             | Two 128-MB DIMMs                  | U12 and U15        | 256 MB |

1. Do not mix memory sizes. If installing two DIMMs, both DIMMs must be the same size.
2. The RSP8 default DRAM configuration is 64 MB. The RSP8 ships with either two 32-MB DIMMs or one 64-MB DIMM.

**Caution**

To prevent system and memory problems when you install DRAM, the RSP8 DRAM DIMMS must be 3.3V devices. Do not attempt to install higher-voltage devices in the RSP8 DIMM sockets. Handle the DIMM by the card edges only, and avoid touching the memory module, pins, or traces (the metal *fingers* along the connector edge of the DIMM). (See [Figure 13](#).)

**Figure 13** Handling the DIMM

**Note**

Use only SDRAM DIMMs from Cisco Systems. A Cisco manufacturing part number appears on each SDRAM DIMM.

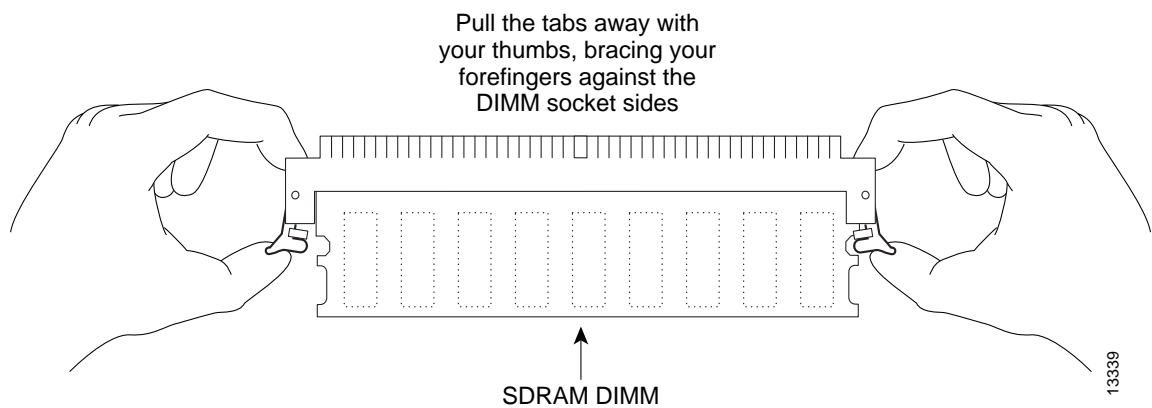
## Removing DIMMs

This section discusses the procedure for removing DIMMs from your RSP8.

Use this procedure to remove the existing DIMMs:

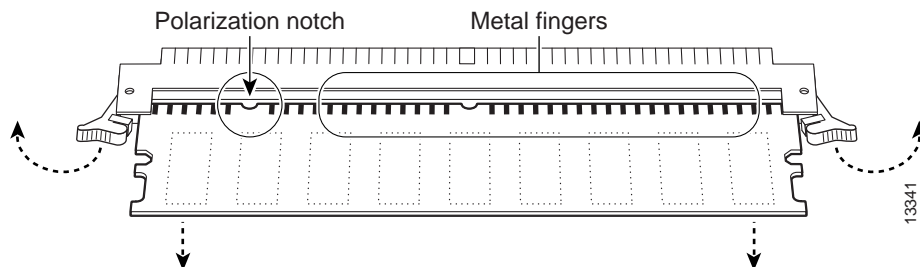
- Step 1** Turn off the system power and follow the steps in the “[Removing the RSP8](#)” section on page 16.
- Step 2** Place the RSP8 on an antistatic mat or pad and ensure that you are wearing an antistatic device, such as a wrist strap.
- Step 3** Position the RSP8 so that the faceplate is toward you and the bus connectors are away from you—this position is shown in [Figure 2](#).
- Step 4** Locate the DRAM DIMMs on the RSP8. The DIMMs occupy U12 (bank 0) and U15 (bank 1). (See [Figure 2](#).)
- Step 5** Open the DIMM socket release levers on the DIMM to release the DIMM from the socket. (See [Figure 14](#).) The DIMM is under tension in the socket; therefore, the DIMM might be released from the socket with some force.

**Figure 14** Using the DIMM Socket Release Lever to Remove a DIMM



- Step 6** With the DIMM socket tabs open, grasp the ends of the DIMM between your thumbs and forefingers and pull the DIMM completely out of the socket. (See [Figure 15](#).)

**Figure 15** Removing the DIMM



- Step 7** Place the removed DIMM on an antistatic mat, and store it in an antistatic container to protect it from ESD damage.
- Step 8** Repeat [Step 4](#) through [Step 7](#) for the remaining DIMM, if required for your upgrade.

This completes the DIMM removal procedure. Proceed to the next section to install the new DIMMs.

## Installing New DIMMs

This section discusses the procedure for installing DIMMs on your RSP.

Use this procedure to install new DIMMs.



**Note** Do not mix memory sizes. If installing two DIMMs, both DIMMs must be the same size.

- Step 1** Remove the new DIMM from its antistatic container.
- Step 2** Hold the DIMM between your thumbs and forefingers. (See [Figure 13](#).)



**Note** The DIMM should be facing component-side down.

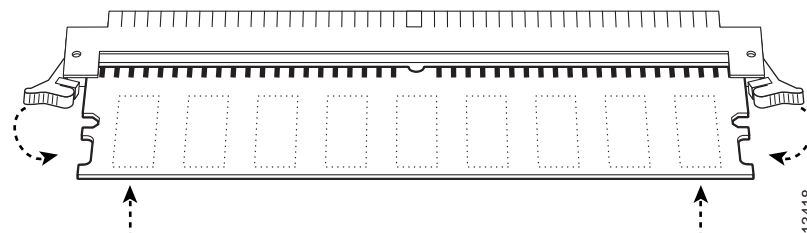
- Step 3** Insert the connector edge of the DIMM straight into the socket.



**Caution** When inserting the DIMM, use firm but not excessive pressure. If you damage a socket, you will have to return the RSP to the factory for repair.

- Step 4** Gently push the DIMM into the socket until the socket release levers close over the ends of the DIMM. (See [Figure 16](#).) If necessary, rock the DIMM gently back and forth to seat it properly.

*Figure 16 Inserting the DIMM*



- Step 5** Check to see if the DIMM is seated properly. If the DIMM appears misaligned, carefully remove it and reseat it in the socket. Push the DIMM firmly back into the socket until first one and then the other socket release lever moves into place.
- Step 6** Repeat [Step 1](#) through [Step 5](#) above if you are replacing more than one DIMM.

This completes the procedure for installing DRAM DIMMs. Proceed to the following section to check the installation.

## Checking the RSP Memory Upgrade

This section describes how you would verify the memory upgrade.

- Observe the LED states and the console display. As the system reinitializes the interfaces, the enabled LEDs should go on. (Port adapter status LEDs might be on, depending on your connections.) The console screen also displays a message as the system discovers each interface during its reinitialization.
- Use the **show diag** command to verify that the system recognizes the new memory; check the line of the **show diag** command output that begins with *Controller Memory Size*.
- If the system fails to boot properly, if the console terminal displays a checksum or memory error, or if the **show diag** command output indicates an incorrect amount of memory (or no memory), check the following:
  - Ensure that all memory devices are installed correctly. If necessary, shut down the system and remove the RSP. Check the memory devices by looking straight down on them and then at eye level. The devices should be aligned at the same angle and the same height when properly installed. If a memory device appears to stick out or rest in the socket at a different angle from the others, remove the device and reinsert it; then replace the RSP and reboot the system for another installation check.
  - Each DIMM socket must contain a DIMM of the correct size and speed or the system cannot operate. To ensure this, use only memory devices that are included with Cisco Systems memory kits.

If after several attempts the system fails to restart properly, contact TAC (see the “[Obtaining Technical Assistance](#)” section on page 89), or a service representative for assistance. Before you call, make note of any error messages, unusual LED states, or any other indications that might help solve the problem. The time required for the system to initialize might vary with different router configurations and DRAM configurations. Routers with 256 MB of DRAM might take longer to boot than those with less DRAM.

This completes the RSP memory upgrade verification.

## Recovering a Lost Password

An overview of the procedure for recovering a lost password follows:

- Use the **show version** command to note the existing software configuration register value.
- Break to the bootstrap program prompt.
- Change the configuration register to ignore NVRAM.



### Note

A key to recovering a lost password is to set the configuration register so that the contents of NVRAM are ignored (0x0040), allowing you to see your password.

- Enter privileged level in the system EXEC.
- Use the **show startup-configuration** command to display the enable password.
- Change the configuration register value back to its original setting. If the enable password is encrypted, the following procedure does not work for password recovery and you must reconfigure the router using the displayed configuration (shown in Step 11), instead of rebooting it.

To recover a lost password, follow these steps:

- Step 1** Attach an ASCII terminal to the router console port, which is located on the rear panel.
- Step 2** Configure the terminal to operate at 9600 baud, 8 data bits, no parity, 2 stop bits (or to whatever settings the router is set).
- Step 3** Use the **show version** command to display the existing configuration register value. Note this value for later use in [Step 13](#).
- Step 4** If the Break function is disabled, power cycle the router. (To power cycle, turn off the router, wait 5 seconds, and then turn it on again.) If the Break function is enabled on the router, press **Break** or send a break (^) and then proceed to [Step 5](#).
- Step 5** Within 5 seconds of turning on the router, press **Break**. This action causes the terminal to display the bootstrap program prompt:

```
rommon 1 >
```

- Step 6** Set the configuration register to ignore the configuration file information as follows:

```
rommon 1 > confreg
```

```

Configuration Summary
enabled are:
console baud: 9600
boot: image specified by the boot system command
      or default to: cisco2-RSP

do you wish to change the configuration? y/n [n]: y
enable "diagnostic mode"? y/n [n]:
enable "use net in IP bcast address"? y/n [n]:
enable "load rom after netbootfails"? y/n [n]:
enable "use all zero broadcast"? y/n [n]:
enable "break/abort has effect?" y/n [n]:
enable "ignore system config info?" [n]: y
change console baud rate? y/n [n]:
change boot characteristics? y/n [n]
```

```

Configuration Summary
enabled are:
console baud: 9600
boot: image specified by the boot system command
      or default to: cisco2-RSP
```

```
do you wish to change the configuration? y/n [n]
```

```
You must reset or power cycle for the new config to take effect
```

- Step 7** Initialize the router using the **i** command as follows:

```
rommon 1 > i
```

The router power cycles, the configuration register is set to ignore the configuration file, and the router boots the boot system image and prompts you with the system configuration dialog as follows:

```
--- System Configuration Dialog ---
```

- Step 8** Type **no** in response to the system configuration dialog prompts until the following system message is displayed:

```
Press RETURN to get started!
```

**Step 9** Press **Return**. After some interface information, the prompt appears as follows:

```
Router >
```

**Step 10** Use the **enable** command to enter privileged EXEC configuration mode. The prompt changes to the following:

```
Router #
```

**Step 11** Use the **show configuration** privileged EXEC command to display the enable password in the configuration file.

**Step 12** At the privileged EXEC prompt, use the **configure terminal** command to enter global configuration mode. You are prompted as follows:

```
Router# configure terminal
Enter configuration commands, one per line. End with CNTL/Z.
Router(config)#
```

**Step 13** Using the **config-register 0xvalue** command, change the configuration register value back to its original value (noted in [Step 3](#)) or change it to a value of 0x0102 (factory default).

**Step 14** Exit global configuration mode using **Ctrl-Z** or by typing **end**.

**Step 15** Reboot the router and enable it using the recovered password.

This completes the procedure for recovering a lost password.

## Reference Information

The following sections include important reference information:

- [Console Port Signals, page 80](#)
- [Auxiliary Port Signals, page 81](#)
- [Console and Auxiliary Y-Cable Pinouts, page 81](#)
- [Software Configuration Register Settings, page 82](#)
- [Using Flash Memory, page 88](#)

## Console Port Signals

The console port on the RSP8 is an EIA/TIA-232, DCE, DB-25 receptacle. Both Data Set Ready (DSR) and Data Carrier Detect (DCD) are active when the system is running. The Request To Send (RTS) signal tracks the state of the Clear To Send (CTS) input. The console port does not support modem control or hardware flow control. The console port requires a straight-through EIA/TIA-232 cable. [Table 5](#) lists the signals used on this port.

*Table 5 Console Port Signals*

| Pin | Signal | Direction | Description   |
|-----|--------|-----------|---------------|
| 1   | GND    | —         | Ground        |
| 2   | TxD    | <—        | Transmit Data |



**Table 5** Console Port Signals (Continued)

| Pin | Signal | Direction | Description                     |
|-----|--------|-----------|---------------------------------|
| 3   | RxD    | —>        | Receive Data                    |
| 6   | DSR    | —>        | Data Set Ready (always on)      |
| 7   | GND    | –         | Ground                          |
| 8   | DCD    | —>        | Data Carrier Detect (always on) |

## Auxiliary Port Signals

The auxiliary port on the RSP8 is an EIA/TIA-232, DTE, DB-25 plug to which you can attach a CSU or DSU or other equipment in order to access the router from the network. The asynchronous auxiliary port supports hardware flow control and modem control. [Table 6](#) lists the signals used on this port.

**Table 6** Auxiliary Port Signals

| Pin | Signal        | Direction | Description                                       |
|-----|---------------|-----------|---------------------------------------------------|
| 2   | TxD           | —>        | Transmit Data                                     |
| 3   | RxD           | <—        | Receive Data                                      |
| 4   | RTS           | —>        | Request To Send (used for hardware flow control)  |
| 5   | CTS           | <—        | Clear To Send (used for hardware flow control)    |
| 6   | DSR           | <—        | Data Set Ready                                    |
| 7   | Signal Ground | –         | Signal Ground                                     |
| 8   | CD            | <—        | Carrier Detect (used for modem control)           |
| 20  | DTR           | —>        | Data Terminal Ready (used for modem control only) |

## Console and Auxiliary Y-Cable Pinouts

The console and auxiliary Y-cables allow you to simultaneously connect the console ports or auxiliary ports on two RSPs (configured as system active and slave in RSP slots 2 and 3 in the Cisco 7507 and Cisco 7507-MX, and RSP slots 6 and 7 in the Cisco 7513 and Cisco 7513-MX) to one console terminal or external auxiliary device (such as a modem).

The two Y-cables (Product Number CAB-RSP8CON=, shown in [Figure 6](#), and Product Number CAB-RSP8AUX=, shown in [Figure 7](#)) ship with the router and are available as spare parts. The console Y-cable pinout is listed in [Table 7](#), and the auxiliary Y-cable pinout is listed in [Table 8](#).

**Table 7** Console Y-Cable Signals (Product Number CAB-RSP8CON=)

| Female DB-25 Pins | Male DB-25 Pins | Signal Description                 |
|-------------------|-----------------|------------------------------------|
| P1-1              | J1-1 and J2-1   | Ground                             |
| P1-2              | J1-2 and J2-2   | Receive Data (RxD)                 |
| P1-3              | J1-3 and J2-3   | Transmit Data (TxD)                |
| P1-4              | J1-4 and J2-4   | Clear To Send (CTS); looped to 5   |
| P1-5              | J1-5 and J2-5   | Request To Send (RTS); looped to 4 |

**Table 7** Console Y-Cable Signals (Product Number CAB-RSP8CON=) (Continued)

| Female DB-25 Pins | Male DB-25 Pins | Signal Description        |
|-------------------|-----------------|---------------------------|
| P1-6              | J1-6 and J2-6   | Data Set Ready (DSR)      |
| P1-7              | J1-7 and J2-7   | Ground                    |
| P1-8              | J1-8 and J2-8   | Data Carrier Detect (DCD) |
| P1-13             | J1-13 and J2-13 | YCBL Detect Ground        |
| P1-19             | J1-19 and J2-19 | YCBL Detect               |
| P1-20             | J1-20 and J2-20 | Data Terminal Ready (DTR) |

**Table 8** Auxiliary Y-Cable Signals (Product Number CAB-RSP8AUX=)

| Male DB-25 Pins | Female DB-25 Pins | Signal Description |
|-----------------|-------------------|--------------------|
| P1-1            | J1-1 and J2-1     | Ground             |
| P1-2            | J1-2 and J2-2     | TxD                |
| P1-3            | J1-3 and J2-3     | RxD                |
| P1-4            | J1-4 and J2-4     | RTS                |
| P1-5            | J1-5 and J2-5     | CTS                |
| P1-7            | J1-7 and J2-7     | Ground             |
| P1-8            | J1-8 and J2-8     | DCD                |
| P1-13           | J1-13 and J2-13   | YCBL Detect        |
| P1-19           | J1-19 and J2-19   | YCBL Detect Ground |
| P1-20           | J1-20 and J2-20   | DTR                |
| P1-22           | J1-22 and J2-22   | Ring               |

## Software Configuration Register Settings

Settings for the 16-bit software configuration register are written into the NVRAM. Following are some reasons for changing the software configuration register settings:

- To select a boot source and default boot filename
- To enable or disable the Break function



### Note

The Break function (software configuration register bit 8) when enabled allows you to send a Break signal to the router during a system (re)boot. This stops the boot process and places the router into ROM monitor mode. You can activate the Break function by using a dedicated Break key function on the keyboard, or by entering the **Ctrl-[** (left square bracket) key combination.

- To control broadcast addresses
- To set the console terminal baud rate
- To load operating software from Flash memory card or Flash Disk
- To enable booting from a Trivial File Transfer Protocol (TFTP) server

- To recover a lost password
- To allow you to manually boot the system using the **b** command at the bootstrap program prompt
- To force the router to boot automatically from the system bootstrap software (boot image) or from its default system image in onboard Flash memory, and to read any **boot system** commands that are stored in the configuration file in NVRAM

If the router finds no **boot system** commands, it uses the configuration register value to form a filename from which to boot a default system image stored on a network server. (See [Table 11](#).)

[Table 9](#) lists the meaning of each of the software configuration memory bits, and [Table 10](#) defines the boot field.



Caution

To avoid confusion and possibly halting the router, remember that valid configuration register settings might be combinations of settings and not just the individual settings listed in [Table 9](#). For example, the factory default value of 0x0102 is a combination of settings.

**Table 9** *Software Configuration Register Bit Meanings*

| Bit Number <sup>1</sup> | Hexadecimal      | Meaning                                                  |
|-------------------------|------------------|----------------------------------------------------------|
| 00 to 0F                | 0x0000 to 0x000F | Boot field (see <a href="#">Table 10</a> )               |
| 06                      | 0x0040           | Causes system software to ignore NVRAM contents          |
| 07                      | 0x0080           | OEM <sup>2</sup> bit enabled                             |
| 08                      | 0x0100           | Break disabled                                           |
| 09                      | 0x0200           | Use secondary bootstrap                                  |
| 10                      | 0x0400           | IP broadcast with all zeros                              |
| 11 to 12                | 0x0800 to 0x1000 | Console line speed (default is 9600 baud)                |
| 13                      | 0x2000           | Boot default Flash memory software if network boot fails |
| 14                      | 0x4000           | IP broadcasts do not have network numbers                |
| 15                      | 0x8000           | Enable diagnostic messages and ignore NVRAM contents     |

1. The factory default value for the configuration register is 0x0102. This value is a combination of the following: bit 8 = 0x0100 and bits 00 through 03 = 0x0001 (see [Table 11](#)).
2. OEM = original equipment manufacturer

**Table 10** *Explanation of Boot Field (Software Configuration Register Bits 00 to 0F)*

| Boot Field | Meaning                                                                                                                   |
|------------|---------------------------------------------------------------------------------------------------------------------------|
| 00         | Stays at the system bootstrap prompt                                                                                      |
| 01         | Boots the first system image in onboard Flash memory                                                                      |
| 02 to 0F   | Specifies a default network boot filename<br>Enables boot system commands that override the default network boot filename |

## Changing Settings

To change the configuration register while running the system software, follow these steps:

- 
- Step 1** To enter privileged EXEC configuration mode, use the **enable** command and your password as shown:
- ```
Router> enable
Password:
Router#
```
- Step 2** To enter global configuration mode, use the **configure terminal** command. You are prompted for further commands, as shown in the following example:
- ```
Router# configure terminal
Enter configuration commands, one per line. End with CNTL/Z.
Router(config)#
```
- Step 3** To set the contents of the configuration register, use the **config-register 0xvalue** configuration command, where *value* is a hexadecimal number preceded by 0x (see [Table 10](#)), as shown in the following example:
- ```
Router(config)# config-register 0xvalue
```
- Step 4** Exit global configuration mode using **Ctrl-Z** or by typing **end**. The new configuration register settings are saved to memory; however, the new settings do not take effect until the system software is reloaded when you reboot the router.
- Step 5** To display the configuration register value currently in effect and the value that will be used at the next reload, enter the **show version** privileged EXEC command. The value is displayed on the last line of the screen display, as in the following example:
- ```
Configuration register is 0x141 (will be 0x101 at next reload)
```
- Step 6** Reboot the router. The new value takes effect. Configuration register changes take effect only when the system reloads, such as when you issue a **reload** command from the console.
- 

This completes the procedure to change the configuration register while running the system software.

## Bit Meanings

The lowest four bits of the software configuration register (bits 3, 2, 1, and 0) form the boot field. (See [Table 10](#).) The boot field specifies a number in binary form. If you set the boot field value to 0, you must boot the operating system manually by entering the **b** command at the bootstrap prompt (>), as follows:

```
> b [tftp] flash filename
```

Definitions of the various **b** command options follow:

- **b**—Boots the default system software from Flash memory
- **b flash**—Boots the first file in onboard Flash memory
- **b slot0: filename**—Boots the file *filename* from the Flash Disk in PC Card slot 0
- **b slot1: filename**—Boots the file *filename* from the Flash Disk in PC Card slot 1
- **b filename [host]**—Boots from server *host* using TFTP
- **b bootflash: [filename]**—Boots the file *filename* from onboard Flash memory

If you set the boot field value to *0x2* through *0xF* and there is a valid **boot system** command stored in the configuration file, then the router boots the system software as directed by that value. If there is no **boot system** command, the router forms a default boot filename for booting from a network server. (See [Table 11](#) for the format of these default filenames.)

In the following example, the software configuration register is set to boot the router from onboard Flash memory and to ignore the Break function at the next reboot of the router:

```
Router# configure terminal
Enter configuration commands, one per line. End with CNTL/Z.
Router(config)# config-register 0x102
Router(config)# boot system flash [filename]
Router(config)# end
Router#
```

The server creates a default boot filename as part of the automatic configuration processes. To form the boot filename, the server starts with the name cisco and adds the octal equivalent of the boot field number, a hyphen, and the processor-type name.

[Table 11](#) lists the default boot filenames or actions for the processor.


**Note**

A **boot system** configuration command in the router configuration in NVRAM overrides the default netboot filename.

**Table 11** *Default Boot Filenames*

| Action/Filename  | Bit 3 | Bit 2 | Bit 1 | Bit 0 |
|------------------|-------|-------|-------|-------|
| Bootstrap mode   | 0     | 0     | 0     | 0     |
| Default software | 0     | 0     | 0     | 1     |
| cisco2-RSP       | 0     | 0     | 1     | 0     |
| cisco3-RSP       | 0     | 0     | 1     | 1     |
| cisco4-RSP       | 0     | 1     | 0     | 0     |
| cisco5-RSP       | 0     | 1     | 0     | 1     |
| cisco6-RSP       | 0     | 1     | 1     | 0     |
| cisco7-RSP       | 0     | 1     | 1     | 1     |
| cisco10-RSP      | 1     | 0     | 0     | 0     |
| cisco11-RSP      | 1     | 0     | 0     | 1     |
| cisco12-RSP      | 1     | 0     | 1     | 0     |
| cisco13-RSP      | 1     | 0     | 1     | 1     |
| cisco14-RSP      | 1     | 1     | 0     | 0     |
| cisco15-RSP      | 1     | 1     | 0     | 1     |
| cisco16-RSP      | 1     | 1     | 1     | 0     |
| cisco17-RSP      | 1     | 1     | 1     | 1     |

Bit 8 controls the console Break key. Setting bit 8 (the factory default) causes the processor to ignore the console Break key. Clearing bit 8 causes the processor to interpret the Break key as a command to force the system into the bootstrap monitor, thereby halting normal operation. Regardless of the setting of the break enable bit, a break causes a return to the ROM monitor during the first few seconds (approximately 5 seconds) of booting.

Bit 9 is unused. Bit 10 controls the host portion of the IP broadcast address. Setting bit 10 causes the processor to use all zeros; clearing bit 10 (the factory default) causes the processor to use all ones. Bit 10 interacts with bit 14, which controls the network and subnet portions of the broadcast address.

Table 12 shows the combined effect of bits 10 and 14.

**Table 12** Configuration Register Settings for Broadcast Address Destination

| Bit 14 | Bit 10 | Address (<net> <host>) |
|--------|--------|------------------------|
| Off    | Off    | <ones> <ones>          |
| Off    | On     | <zeros> <zeros>        |
| On     | On     | <net> <zeros>          |
| On     | Off    | <net> <ones>           |

Bits 11 and 12 in the configuration register determine the baud rate of the console terminal. Table 13 shows the bit settings for the four available baud rates. (The factory-set default baud rate is 9600.)

**Table 13** System Console Terminal Baud Rate Settings

| Baud | Bit 12 | Bit 11 |
|------|--------|--------|
| 9600 | 0      | 0      |
| 4800 | 0      | 1      |
| 1200 | 1      | 0      |
| 2400 | 1      | 1      |

Bit 13 determines the server response to a bootload failure. Setting bit 13 causes the server to load operating software from Flash memory after five unsuccessful attempts to load a boot file from the network. Clearing bit 13 causes the server to continue attempting to load a boot file from the network indefinitely. By factory default, bit 13 is cleared to 0.

## Enabling a Boot from Flash Memory

To enable a boot from Flash memory, set configuration register bits 3, 2, 1, and 0 to a value between 2 and 15 in conjunction with the **boot system flash device:filename** configuration command, where *device* is **bootflash:**, **slot0:**, or **slot1:**, and *filename* is the name of the file from which you want to boot the system.

To enter global configuration mode while in the system software image and specify a Flash memory filename from which to boot, use the **configure terminal** privileged EXEC configuration command at the enable prompt, as follows:

```
Router# configure terminal
Enter configuration commands, one per line. End with CNTL/Z.
Router(config)# boot system flash device:filename
```

To disable the Break function and enable the **boot system flash** *device:filename* command, use the **config-register** command with the value shown in the following example:

```
Router(config)# config-reg 0x0102
Router(config)# end
Router#
```

## Enabling a Boot from the Flash Disk

To enable a boot from the Flash Disk, set configuration register bits 3, 2, 1, and 0 to a value between 2 and 15 in conjunction with the **boot system [disk0: | disk1:]filename** configuration command. This section includes only descriptions of **boot** commands specific to the Flash Disk. (You can use either the **slotn:** argument or the **diskn:** argument for **boot** commands.)

Following are definitions of the various Flash Disk-related **boot** commands:

**boot system flash disk0:**—Boots the first file in the Flash Disk in slot 0.

**boot system flash disk1:**—Boots the first file in the Flash Disk in slot 1.

**boot system flash disk0:herfile**—Boots the file named *herfile* from the Flash Disk in slot 0.

**boot system flash disk1:hisfile**—Boots the file named *hisfile* from the Flash Disk in slot 1.



### Note

As you use **boot** commands, pay attention to how you use the Spacebar, which influences the way your system interprets the commands. Also, be sure that you define the entire path to a file as you type the **boot** commands; otherwise, the system might not be able to find the file.

For example, notice the difference in the following correct and incorrect commands:

```
System(config)# boot flash system disk0:myfile
```

Based on the preceding correct command, the system boots the file specified (*myfile*).

```
System(config)# boot flash system disk0: myfile
```

Based on the preceding incorrect command, the system finds the *filename* field blank because there is a space after **disk0:**. In this case, the system ignores the filename argument and boots the first file on the Flash Disk, which might not be the file called *myfile*.

Use the following procedure to enable booting the file *myfile* from a Flash Disk:

- Step 1** Enter global configuration mode and specify an image filename in the PC Card slot from which to boot by using the **configure terminal** command, as follows:

```
System# configure terminal
Enter configuration commands, one per line. End with CTRL-Z.
System(config)# boot system flash disk0:myfile
```

- Step 2** Enable the **boot system flash disk0:myfile** command using the **config-register** command with the hexadecimal value shown in the following example:

```
System(config)# config-reg 0x2102
```

The **config-reg 0x2102** command, with the hexadecimal value 0x2102, results in the following:

- Enables the system to boot the default boot ROM software if the Flash Disk-based image fails to boot—hexadecimal value 0x2000
- Disables Break—hexadecimal value 0x0100
- Enables the image *myfile* as the default boot image—hexadecimal value 0x0002

**Step 3** Press **Ctrl-Z** or type **end** to exit global configuration mode:

```
System(config)#
System(config)# end
System#
```

**Step 4** Save the new configuration to NVRAM by using the **copy running-config startup-config** command as follows:

```
System# copy running-config startup-config
```

---

## Using Flash Memory

The Flash memory (PC Card) slots on the front panel of the RSP8 support PC Card-based Flash memory media for your system. You can use this Flash memory to store and run IOS software images, or as a file server for other routers to access as clients. The Flash memory media is either Flash memory cards or Flash Disks.



### Note

A complete discussion of PC Card-based Flash memory is beyond the scope of this publication. For detailed information on Flash memory cards, refer to *Flash Memory Card Installation Instructions* (Part Number: DOC-782083=). Or, for detailed information on Flash Disk, refer to *Using the Flash Disk* (Part Number DOC-785819=).

---

## Obtaining Documentation

Cisco provides several ways to obtain documentation, technical assistance, and other technical resources. These sections explain how to obtain technical information from Cisco Systems.

### Cisco.com

You can access the most current Cisco documentation on the World Wide Web at this URL:

<http://www.cisco.com/univercd/home/home.htm>

You can access the Cisco website at this URL:

<http://www.cisco.com>

International Cisco websites can be accessed from this URL:

[http://www.cisco.com/public/countries\\_languages.shtml](http://www.cisco.com/public/countries_languages.shtml)



## Documentation CD-ROM

Cisco documentation and additional literature are available in a Cisco Documentation CD-ROM package, which may have shipped with your product. The Documentation CD-ROM is updated regularly and may be more current than printed documentation. The CD-ROM package is available as a single unit or through an annual or quarterly subscription.

Registered Cisco.com users can order a single Documentation CD-ROM (product number DOC-CONDOCCD=) through the Cisco Ordering tool:

[http://www.cisco.com/en/US/partner/ordering/ordering\\_place\\_order\\_ordering\\_tool\\_launch.html](http://www.cisco.com/en/US/partner/ordering/ordering_place_order_ordering_tool_launch.html)

All users can order annual or quarterly subscriptions through the online Subscription Store:

<http://www.cisco.com/go/subscription>

## Ordering Documentation

You can find instructions for ordering documentation at this URL:

[http://www.cisco.com/univercd/cc/td/doc/es\\_inpk/pdi.htm](http://www.cisco.com/univercd/cc/td/doc/es_inpk/pdi.htm)

You can order Cisco documentation in these ways:

- Registered Cisco.com users (Cisco direct customers) can order Cisco product documentation from the Networking Products MarketPlace:

<http://www.cisco.com/en/US/partner/ordering/index.shtml>

- Nonregistered Cisco.com users can order documentation through a local account representative by calling Cisco Systems Corporate Headquarters (California, USA) at 408 526-7208 or, elsewhere in North America, by calling 800 553-NETS (6387).

## Documentation Feedback

You can submit comments electronically on Cisco.com. On the Cisco Documentation home page, click **Feedback** at the top of the page.

You can send your comments in e-mail to [bug-doc@cisco.com](mailto:bug-doc@cisco.com).

You can submit comments by using the response card (if present) behind the front cover of your document or by writing to the following address:

Cisco Systems  
Attn: Customer Document Ordering  
170 West Tasman Drive  
San Jose, CA 95134-9883

We appreciate your comments.

## Obtaining Technical Assistance

For all customers, partners, resellers, and distributors who hold valid Cisco service contracts, the Cisco Technical Assistance Center (TAC) provides 24-hour, award-winning technical support services, online and over the phone. Cisco.com features the Cisco TAC website as an online starting point for technical assistance.

## Cisco TAC Website

The Cisco TAC website (<http://www.cisco.com/tac>) provides online documents and tools for troubleshooting and resolving technical issues with Cisco products and technologies. The Cisco TAC website is available 24 hours a day, 365 days a year.

Accessing all the tools on the Cisco TAC website requires a Cisco.com user ID and password. If you have a valid service contract but do not have a login ID or password, register at this URL:

<http://tools.cisco.com/RPF/register/register.do>

## Opening a TAC Case

The online TAC Case Open Tool (<http://www.cisco.com/tac/caseopen>) is the fastest way to open P3 and P4 cases. (Your network is minimally impaired or you require product information). After you describe your situation, the TAC Case Open Tool automatically recommends resources for an immediate solution. If your issue is not resolved using these recommendations, your case will be assigned to a Cisco TAC engineer.

For P1 or P2 cases (your production network is down or severely degraded) or if you do not have Internet access, contact Cisco TAC by telephone. Cisco TAC engineers are assigned immediately to P1 and P2 cases to help keep your business operations running smoothly.

To open a case by telephone, use one of the following numbers:

Asia-Pacific: +61 2 8446 7411 (Australia: 1 800 805 227)

EMEA: +32 2 704 55 55

USA: 1 800 553-2447

For a complete listing of Cisco TAC contacts, go to this URL:

<http://www.cisco.com/warp/public/687/Directory/DirTAC.shtml>

## TAC Case Priority Definitions

To ensure that all cases are reported in a standard format, Cisco has established case priority definitions.

**Priority 1 (P1)**—Your network is “down” or there is a critical impact to your business operations. You and Cisco will commit all necessary resources around the clock to resolve the situation.

**Priority 2 (P2)**—Operation of an existing network is severely degraded, or significant aspects of your business operation are negatively affected by inadequate performance of Cisco products. You and Cisco will commit full-time resources during normal business hours to resolve the situation.

**Priority 3 (P3)**—Operational performance of your network is impaired, but most business operations remain functional. You and Cisco will commit resources during normal business hours to restore service to satisfactory levels.

**Priority 4 (P4)**—You require information or assistance with Cisco product capabilities, installation, or configuration. There is little or no effect on your business operations.

# Obtaining Additional Publications and Information

Information about Cisco products, technologies, and network solutions is available from various online and printed sources.

- The Cisco Product Catalog describes the networking products offered by Cisco Systems, as well as ordering and customer support services. Access the Cisco Product Catalog at this URL:  
[http://www.cisco.com/en/US/products/products\\_catalog\\_links\\_launch.html](http://www.cisco.com/en/US/products/products_catalog_links_launch.html)
- Cisco Press publishes a wide range of networking publications. Cisco suggests these titles for new and experienced users: Internetworking Terms and Acronyms Dictionary, Internetworking Technology Handbook, Internetworking Troubleshooting Guide, and the Internetworking Design Guide. For current Cisco Press titles and other information, go to Cisco Press online at this URL:  
<http://www.ciscopress.com>
- Packet magazine is the Cisco quarterly publication that provides the latest networking trends, technology breakthroughs, and Cisco products and solutions to help industry professionals get the most from their networking investment. Included are networking deployment and troubleshooting tips, configuration examples, customer case studies, tutorials and training, certification information, and links to numerous in-depth online resources. You can access Packet magazine at this URL:  
<http://www.cisco.com/go/packet>
- iQ Magazine is the Cisco bimonthly publication that delivers the latest information about Internet business strategies for executives. You can access iQ Magazine at this URL:  
<http://www.cisco.com/go/iqmagazine>
- Internet Protocol Journal is a quarterly journal published by Cisco Systems for engineering professionals involved in designing, developing, and operating public and private internets and intranets. You can access the Internet Protocol Journal at this URL:  
[http://www.cisco.com/en/US/about/ac123/ac147/about\\_cisco\\_the\\_internet\\_protocol\\_journal.html](http://www.cisco.com/en/US/about/ac123/ac147/about_cisco_the_internet_protocol_journal.html)
- Training—Cisco offers world-class networking training. Current offerings in network training are listed at this URL:  
<http://www.cisco.com/en/US/learning/index.html>

---

This document is to be used in conjunction with the appropriate Quick Start Guide that shipped with your router and the documents listed in the “Related Documentation” section.

CCSP, the Cisco Square Bridge logo, Cisco Unity, Follow Me Browsing, FormShare, and StackWise are trademarks of Cisco Systems, Inc.; Changing the Way We Work, Live, Play, and Learn, and iQuick Study are service marks of Cisco Systems, Inc.; and Aironet, ASIST, BPX, Catalyst, CCDA, CCDP, CCIE, CCIP, CCNA, CCNP, Cisco, the Cisco Certified Internetwork Expert logo, Cisco IOS, Cisco Press, Cisco Systems, Cisco Systems Capital, the Cisco Systems logo, Empowering the Internet Generation, Enterprise/Solver, EtherChannel, EtherFast, EtherSwitch, Fast Step, GigaDrive, GigaStack, HomeLink, Internet Quotient, IOS, IP/TV, iQ Expertise, the iQ logo, iQ Net Readiness Scorecard, LightStream, Linksys, MeetingPlace, MGX, the Networkers logo, Networking Academy, Network Registrar, *Packet*, PIX, Post-Routing, Pre-Routing, ProConnect, RateMUX, Registrar, ScriptShare, SlideCast, SMARTnet, StrataView Plus, SwitchProbe, TeleRouter, The Fastest Way to Increase Your Internet Quotient, TransPath, and VCO are registered trademarks of Cisco Systems, Inc. and/or its affiliates in the United States and certain other countries.

All other trademarks mentioned in this document or Website are the property of their respective owners. The use of the word partner does not imply a partnership relationship between Cisco and any other company. (0406R)

Copyright © 2004 Cisco Systems, Inc. All rights reserved.