

Cisco SCE 2000 4xGBE Quick Start Guide

Version 2.5.7

OL-7820-02

1	Documentation and Resources	2
2	Prepare for Installation	4
3	Rack-Mount the SCE 2000 Platform	7
4	Connect the Power Supply Units	13
5	Connect the Management Interfaces and Perform Initial System Configuration	18
6	Cable the Line Ports	43
7	Completing the Installation	51
8	Installing a Cascaded System	58
9	Troubleshoot Startup Problems	62
10	Obtain Technical Assistance	65



1 Documentation and Resources

Documentation for the *SCE 2000* platform is online and orderable. For detailed hardware installation instructions, refer to the online *SCE 2000 4xGBE Installation and Configuration Guide*.

Documentation Survey

Is Cisco documentation helpful? Go to the *Cisco document survey* <http://www.cisco.com/warp/public/732/docsurvey/rtg/> to give us your feedback.

Obtaining Documentation

Cisco documentation and additional literature are available on *Cisco.com* <http://www.cisco.com>. Cisco also provides several ways to obtain technical assistance and other technical resources. These sections explain how to obtain technical information from Cisco Systems.

Cisco.com

You can access the most current Cisco documentation at this URL <http://www.cisco.com/univercd/home/home.htm>.

You can access the Cisco website at this URL <http://www.cisco.com>.

You can access international Cisco websites at this URL (http://www.cisco.com/public/countries_languages.shtml).

Documentation CD-ROM

Cisco documentation and additional literature are available in a Cisco Documentation CD-ROM package, which may have shipped with your product. The Documentation CD-ROM is updated regularly and may be more current than printed documentation. The CD-ROM package is available as a single unit or through an annual or quarterly subscription.

Registered *Cisco.com* <http://www.cisco.com> users can order a single Documentation CD-ROM (product number DOC-CONDOCCD=) through the *Cisco Ordering tool* http://www.cisco.com/en/US/partner/ordering/ordering_place_order_ordering_tool_launch.html.

All users can order monthly or quarterly subscriptions through the *online Subscription Store* <http://www.cisco.com/go/subscription>.

Ordering Documentation

You can find instructions for ordering documentation at this URL http://www.cisco.com/univercd/cc/td/doc/es_inpck/pdi.htm:

You can order Cisco documentation in these ways:

- Registered *Cisco.com* <http://www.cisco.com> users (Cisco direct customers) can order Cisco product documentation from the *Networking Products MarketPlace* <http://www.cisco.com/en/US/partner/ordering/index.shtml>.
- Nonregistered *Cisco.com* <http://www.cisco.com> users can order documentation through a local account representative by calling Cisco Systems Corporate Headquarters (California, U.S.A.) at 408 526-7208 or, elsewhere in North America, by calling 800 553-NETS (6387).

Documentation Feedback

You can send comments about technical documentation to this *URL* (<http://www.bug-doc@cisco.com>).

You can submit comments by using the response card (if present) behind the front cover of your document or by writing to the following address:

Cisco Systems

Attn: Customer Document Ordering

170 West Tasman Drive

San Jose, CA 95134-9883

We appreciate your comments.

Obtaining Additional Publications and Information

Information about Cisco products, technologies, and network solutions is available from various online and printed sources.

- *Cisco Marketplace* (<http://www.cisco.com/go/marketplace/>) provides a variety of Cisco books, reference guides, and logo merchandise.
- The *Cisco Product Catalog* describes the networking products offered by Cisco Systems, as well as ordering and customer support services.
- *Cisco Press* (<http://www.ciscopress.com>) publishes a wide range of general networking, training and certification titles. Both new and experienced users will benefit from these publications. For current Cisco Press titles and other information, go to *Cisco Press* (<http://www.ciscopress.com>).
- *Packet* (<http://www.cisco.com/packet>) magazine is the Cisco Systems technical user magazine for maximizing Internet and networking investments. Each quarter, Packet delivers coverage of the latest industry trends, technology breakthroughs, and Cisco products and solutions, as well as network deployment and troubleshooting tips, configuration examples, customer case studies, certification and training information, and links to scores of in-depth online resources.
- *iQ Magazine* (<http://www.cisco.com/go/iqmagazine>) is the quarterly publication from Cisco Systems designed to help growing companies learn how they can use technology to increase revenue, streamline their business, and expand services. The publication identifies the challenges facing these companies and the technologies to help solve them, using real-world case studies and business strategies to help readers make sound technology investment decisions.
- *Internet Protocol Journal* (<http://www.cisco.com/ipj>) is a quarterly journal published by Cisco Systems for engineering professionals involved in designing, developing, and operating public and private internets and intranets.
- World-class networking training is available from Cisco. You can view current offerings at this *URL* (<http://www.cisco.com/en/US/learning/index.html>).

2 Prepare for Installation

This section contains warnings, information about tools and parts, site preparation information, and information for workbench or tabletop installation and rack-mount installation.



Warning

This warning symbol means danger. You are in a situation that could cause bodily injury. Before you work on any equipment, be aware of the hazards involved with electrical circuitry and be familiar with standard practices for preventing accidents. To see translations of the warnings that appear in this publication, refer to the translated safety warnings that accompanied this device.



Warning

Only trained and qualified personnel should install, replace, or service this equipment.



Warning

Read the installation instructions before you connect the system to its power source.



Warning

This unit is intended for installation in restricted access areas. A restricted access area is where access can only be gained by service personnel through the use of a special tool, lock and key, or other means of security, and is controlled by the authority responsible for the location.



Warning

Class 1 (21 CFR 1040.10 and 1040.11) laser products.



Warning

Voltage is present on the backplane when the system is operating. To reduce risk of an electric shock, keep hands and fingers out of the power supply bays and backplane areas.



Warning

Do not work on the system or connect or disconnect cables during periods of lightning activity.

Before beginning the installation of the *SCE 2000*, read the *Regulatory Compliance and Safety Information for the Cisco Service Control Engine (SCE)* document.

Table 2-1 SCE Platform Model Information

Model number	SCE 2020 4xGBE
Link Type	Gigabit Ethernet
Number of Ports	4
Number of Links	2

Site Preparation and Unpacking

- Lift the *SCE 2000* platform safely out of the packing container.
- Ensure the power service at the site is suitable for the *SCE 2000* platform.
- Check the packing slip to ensure that all the proper components are present.
- Locate and have accessible the Site Log for recording information about this installation.

Tools and Parts

Use the following list of tools and parts as a checklist for preparing for installing the *SCE 2000* platform:

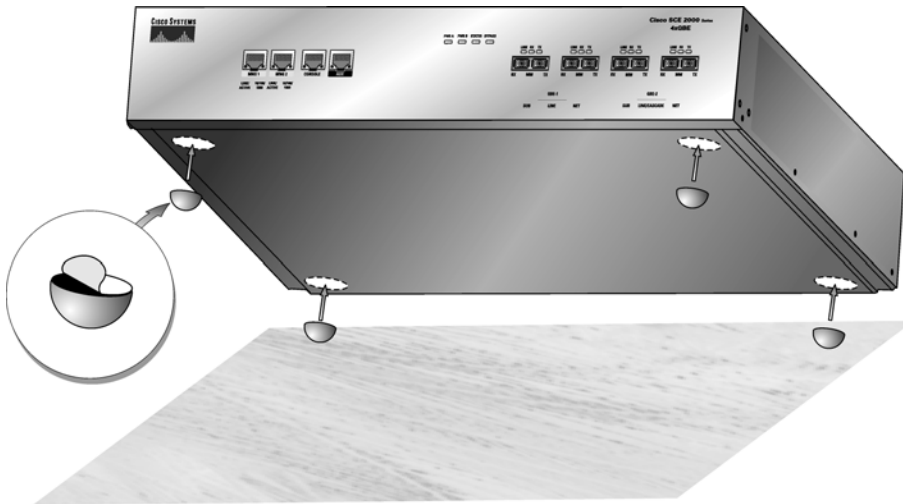
- Appropriate cables to connect the *SCE 2000* to the network and console terminal
- Tape measure (optional)
- Level (optional)
- Number 1 Phillips screwdriver
- Number 2 Phillips screwdriver
- 1/4-inch flat-blade screwdriver
- 1/4-inch hex wrench
- Grounding kit (shipped with *SCE 2000*)
- 12 AWG or 2.5 mm copper installation wire with hex or loop connectors for DC power leads (DC power only)
Ring terminals must be UL approved and suitable for 12 AWG wire.
- AC power cords (AC power only, shipped with *SCE 2000*)
- Rack-mounting kit (shipped with *SCE 2000*)
 - Spare screws for changing bracket position

Prepare for Rack-Mount Installation

Before you begin the rack-mounting tasks, determine the type of rack—four-post or two-post—that you will be using.

Workbench or Tabletop Installation

Figure 1: Installing the System on a Flat Surface



For a workbench or tabletop installation, verify the following before installing the *SCE 2000* platform:

- The *SCE 2000* platform is off the floor and has adequate ventilation.
- An adequate chassis ground (earth) connection exists for the *SCE 2000* platform.
- The *SCE 2000* platform has at least 2 inches (5 cm) of clearance at each side and at least 5 inches (12.7 cm) of clearance at the rear to allow proper air flow.

Step 1 Remove the adhesive strips from the four rubber feet and affix the feet onto the four marked locations on the bottom panel of the unit.

Step 2 Place the *SCE 2000* platform on the tabletop or workbench.

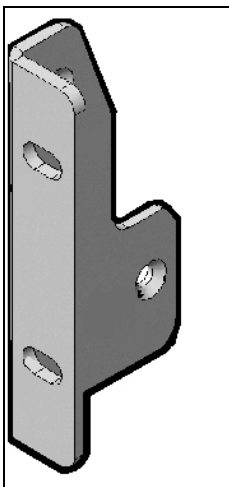
3 Rack-Mount the SCE 2000 Platform

This section provides information for rack-mounting the *SCE 2000* platform.

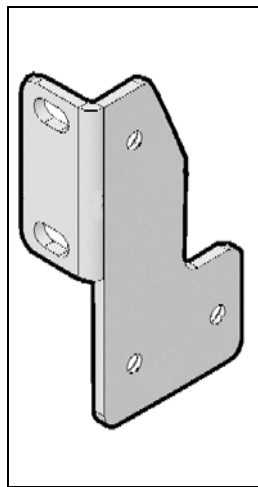
There are two standard types of equipment racks, and the appropriate brackets for each are provided in the enclosed kit.

- 19" rack with front rack posts: the mounting kit includes two mounting brackets as illustrated below
- 19" rack with front and back rack posts: in addition to the mounting brackets illustrated below, the mounting kit includes two crossrail supports that the unit slides onto.

Mounting Brackets for 2-post Rack



Mounting Brackets for 4-post Rack



The *SCE 2000* mounts to the two front rack posts with brackets that attach to the front of the *SCE 2000*. The inside width between the two posts or mounting strips (left and right) must be at least 17.3 inches (44 cm).



Note

Remember to leave a two-inch (5 cm) clearance on both sides of the *SCE 2000* and at the rear for adequate airflow for the inlet and exhaust vents.

Attach the Brackets to the SCE 2000

Before installing the *SCE 2000* in the rack, you must first install an appropriate rack-mount bracket on each side of the front of the *SCE 2000*, as illustrated in the following figures.

Figure 2: Attaching the Mounting Brackets (4-post)

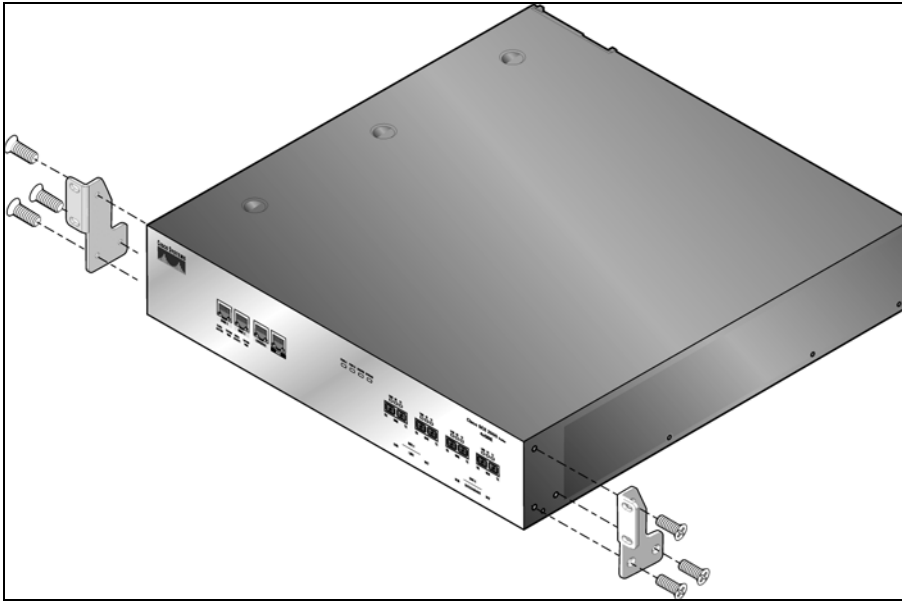
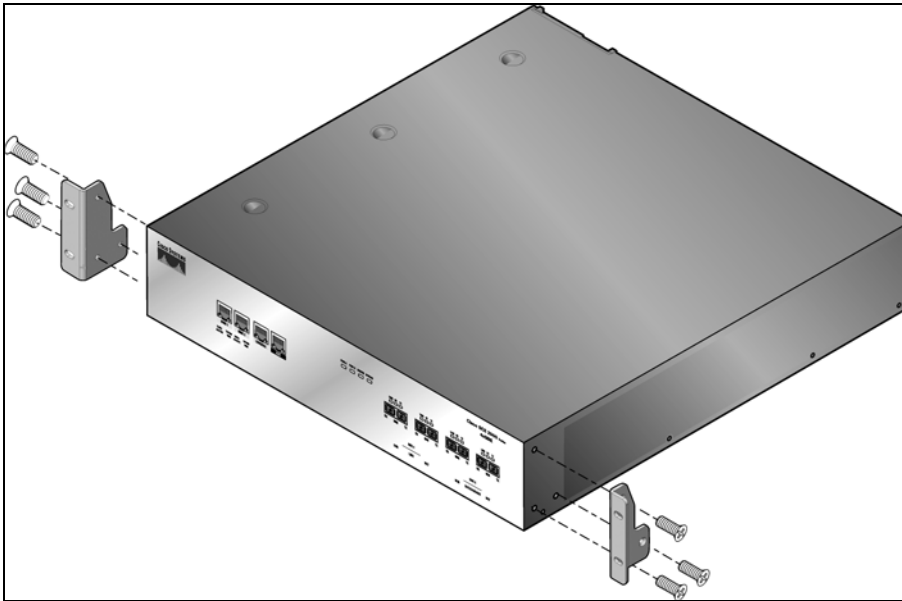


Figure 3: Attaching the Mounting Brackets (2-post)



To install the rack-mount brackets on the *SCE 2000* chassis, complete the following steps:

Before installing the *SCE 2000* in the rack, you must first install a rack-mount bracket on each side of the front of the *SCE 2000*.

Step 1 Align the rack-mount bracket to the side of the *SCE 2000*. Choose the proper bracket for your installation (2-post rack or 4-post rack) as illustrated in *Rack-Mount the SCE 2000* (on page 7).

Step 2 Insert and tighten three screws.

Step 3 Repeat steps 1 and 2 on the other side of the *SCE 2000*.

If mounting the *SCE 2000* in a rack with only two posts, skip to Mounting the System to a Rack.

If mounting the *SCE 2000* in a rack with four posts, proceed to the next step to attach the crossrail supports to the rack.

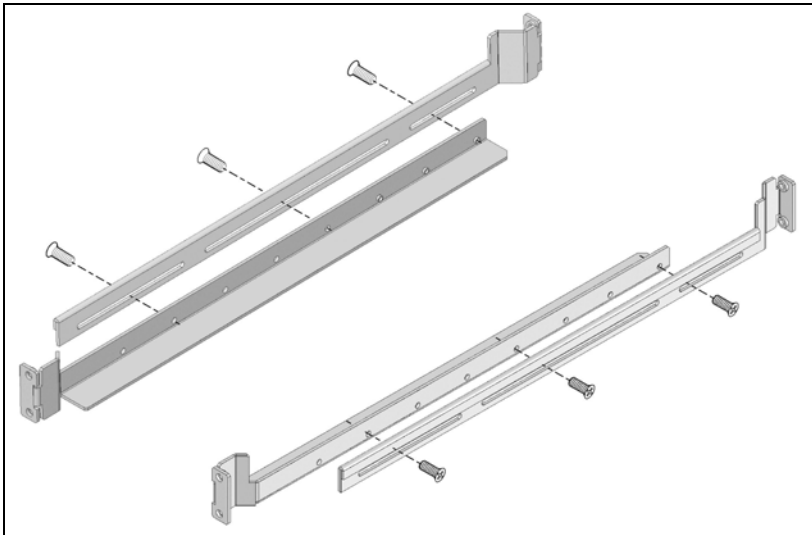
Installing the Crossrail Supports (Four-post rack only)

This section provides information for assembling the crossrail supports and attaching them to the rack.

When mounting in a rack with four posts (front and back) the two crossrail supports are mounted one on each side of the rack. The *SCE 2000* then slides into these crossrails, which support the weight of the unit.

Assemble the Crossrail Supports

Figure 4: Assembling the Slider Brackets

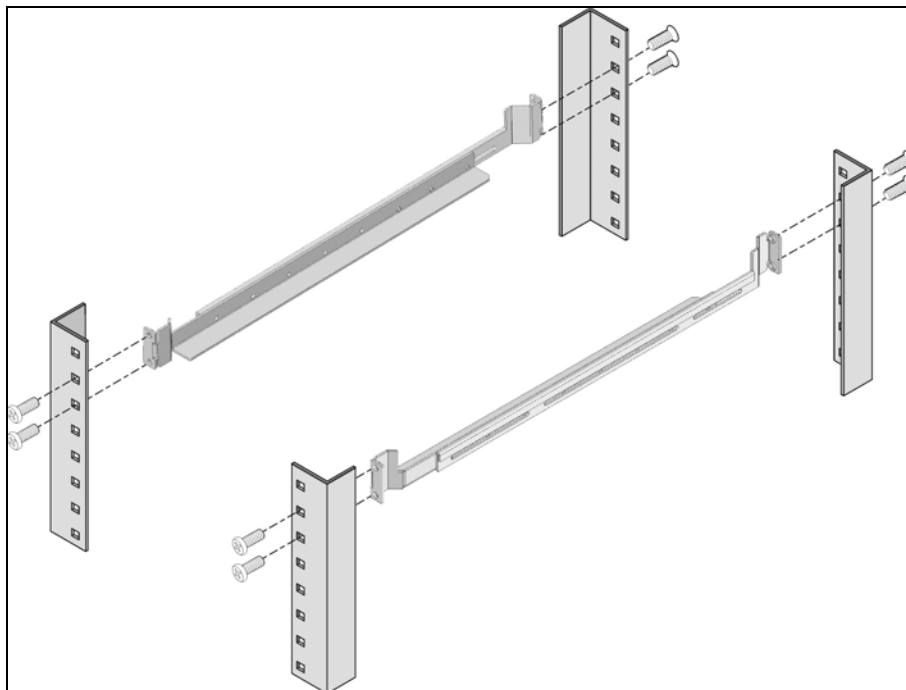


Step 1 Assemble the two crossrail supports. Use three screws for each crossrail assembly.

Make sure that they are oriented so that both crossrails will support the *SCE 2000* when they are attached to the rack.

Attach the Crossrail Supports to the Rack

Figure 5: Attaching the Crossrails to the Rack

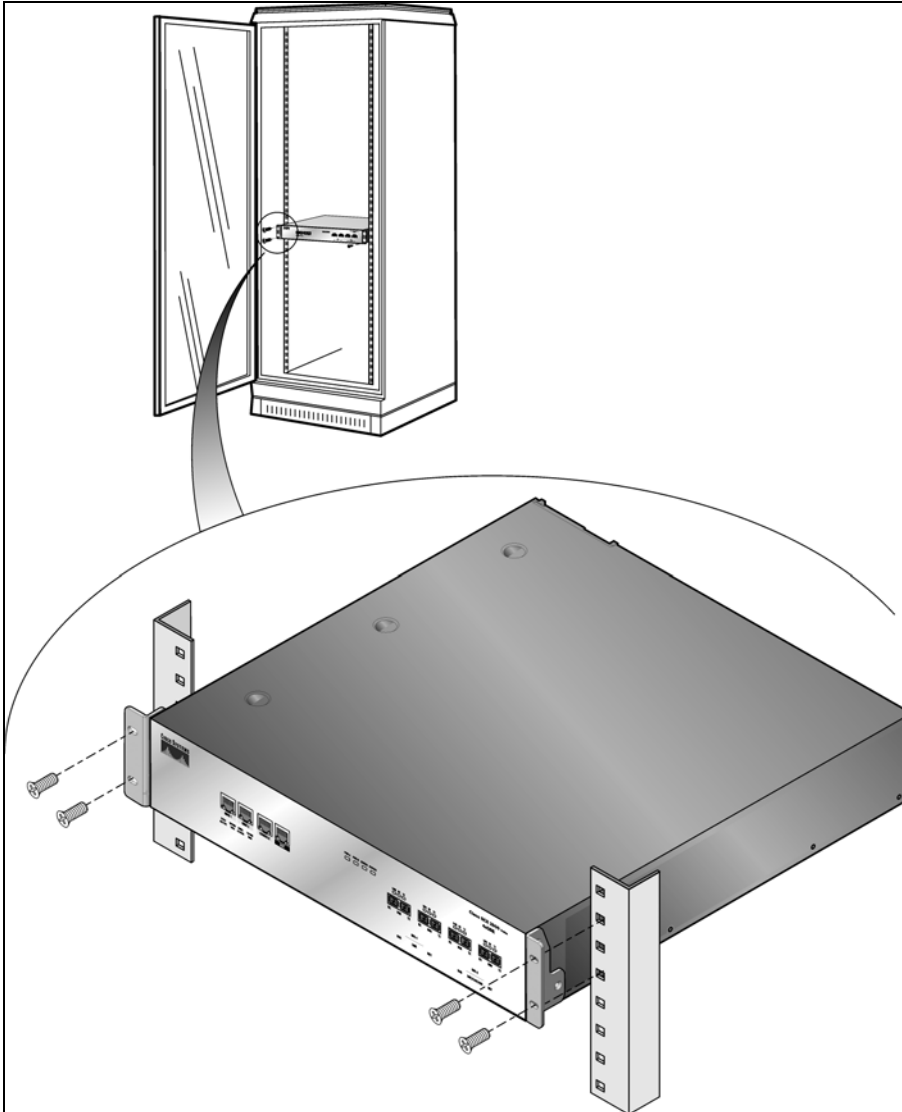


-
- Step 1** Align the crossrail supports with the side of the rack, parallel to the floor.
 - Step 2** Insert and tighten two screws to the front posts or mounting strips of the rack
 - Step 3** Insert and tighten two screws to the Back posts of the rack.
 - Step 4** Repeat steps 2 through 4 on the other side of the rack, keeping the brackets flush against the posts and parallel to the supporting bracket on first side of the rack.
-

Mount the System to the Rack

When the appropriate mounting brackets are securely installed, the *SCE 2000* can be installed into the rack.

Figure 6: Sliding the SCE 2000 into the Rack

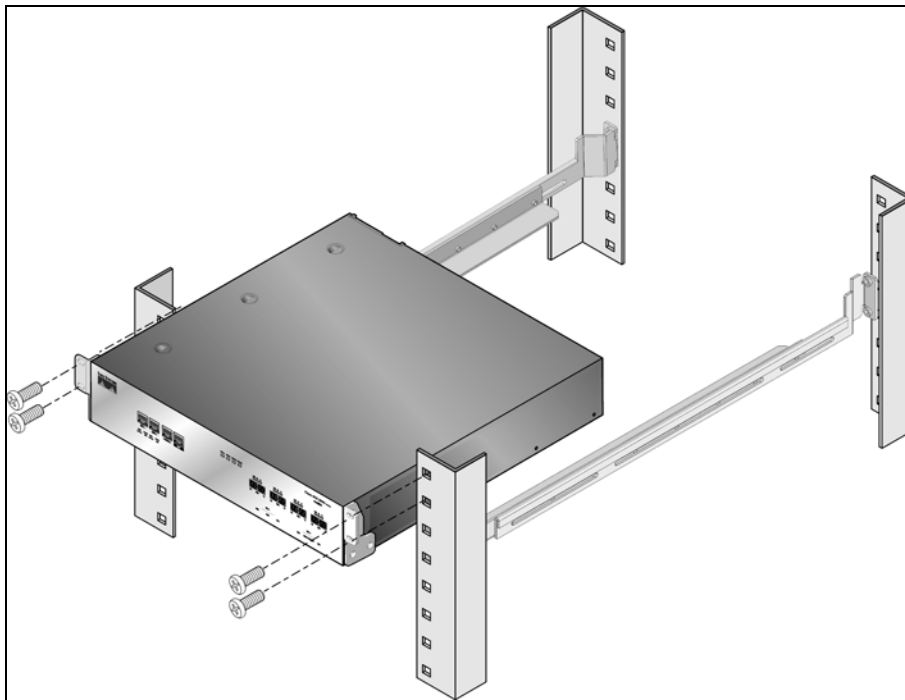


- Step 1** Make sure that the rack brakes are locked or that the rack is otherwise stabilized.
- Step 2** Position the *SCE 2000* so that the front end is closest to you, and lift it carefully to place it into the rack. To prevent injury, avoid sudden twists or moves.
- Step 3** Slide the *SCE 2000* into the rack, pushing it back until the brackets (installed at the front of the *SCE 2000*) meet the mounting strips or posts on both sides of the rack.

A rack with both front and back posts will have the crossrail supports installed. Slide the *SCE 2000* onto these crossrails and push it all the way back.

Step 4 While keeping the brackets flush against the posts or mounting strips, align the holes in the brackets with the holes on the rack or mounting strip.

Figure 7: Securing the SCE 2000 to the Rack



Step 5 For each bracket, insert and tighten two appropriate screws to the rack.



Note Since the brackets support the weight of the entire *SCE 2000* chassis, be sure to use all four screws to fasten the two rack-mount brackets to the rack posts.

4 Connect the Power Supply Units

This section provides information for grounding the *SCE 2000* platform and connecting the AC or DC power supply units.

Connect the Chassis Ground

Figure 8: Grounding the Unit (AC)

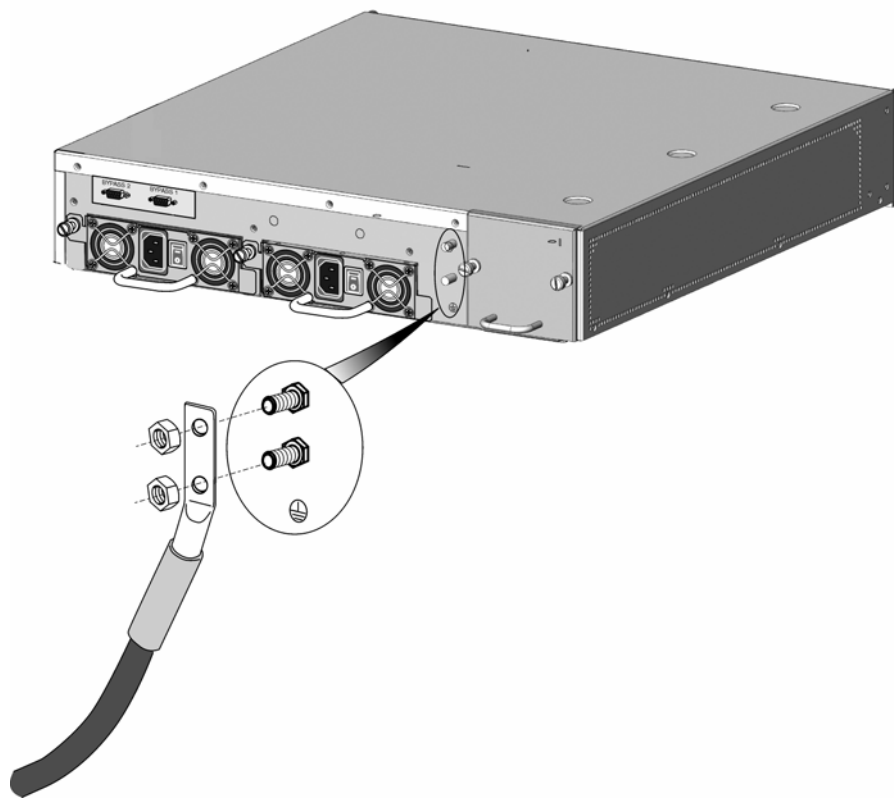
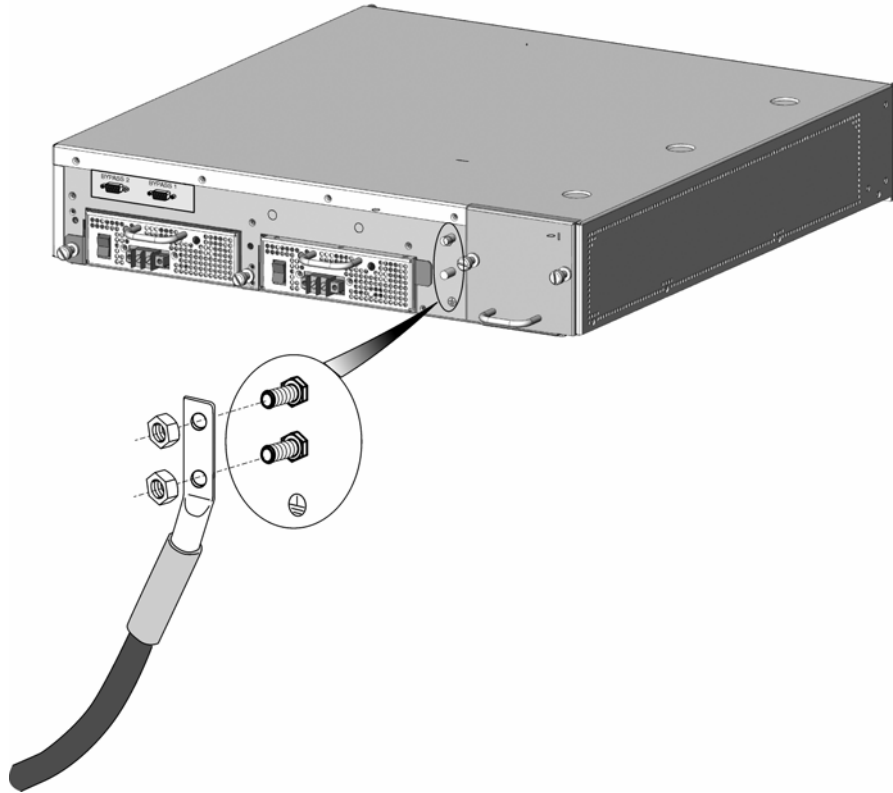


Figure 9: Grounding the Unit (DC)



A Grounding kit is provided with each *SCE 2000*. Use this Grounding kit to properly ground the *SCE 2000* chassis.



Warning

When installing the unit, the chassis ground connection must always be made first and disconnected last.

-
- Step 1** On the rear panel of the *SCE 2000*, locate the chassis grounding connector (refer to the appropriate figure for an AC- or DC-powered *SCE 2000* above).
- Step 2** Attach the grounding cable (green and yellow colored cable), firmly fastening the (enclosed) hex nuts and spring washers with a #1/4" hex wrench (refer to the appropriate figure for an AC- or DC-powered *SCE 2000* above).
The other side of the grounding cable must be connected to the site equivalent of the AC earth.
-

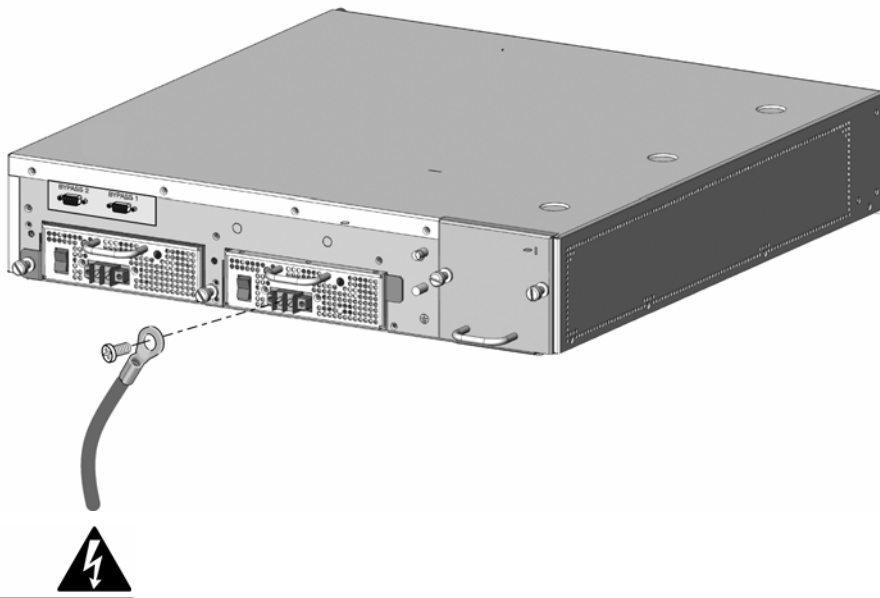
Connect the Power

The following sections describe how to reconnect the AC or DC power:

- *Connect the DC-Input Power Supply Unit* (on page 15)
- *Connect the AC-Input Power Supply Unit* (on page 17)

Connect the DC-Input Power Supply Unit

Figure 10: Connecting the DC Power



Warning

Before completing any of the following steps, and to prevent short-circuit or shock hazards, ensure that power is removed from the DC circuit. To ensure that all power to the power supply unit is OFF, locate the circuit breaker on the panel board that services the DC circuit, switch the circuit breaker to the OFF position, and tape the switch handle of the circuit breaker in the OFF position.

Note that the power to the relevant power supply unit should be off, not necessarily all power to the *SCE 2000* platform. One DC-input power supply can be running when the other power supply is being removed or replaced.



Warning

Wiring should be done by a professional in accordance with state and local electrical codes.

-
- Step 1** Ensure that the DC power line input leads are disconnected from the power source.
- Step 2** Using the number 2 Phillips screwdriver, remove the protective plate from the terminal block.
- Step 3** Insert one receptacle screw into the hex or loop connector on one power line input, insert the screw with the connector into the corresponding lead receptacle and tighten the receptacle screw using the number 2 Phillips . Repeat for the remaining power line input lead.



Note The color coding of the DC-input power supply leads depends on the color coding of the DC power source at your site. Make certain the lead color coding you choose for the DC-input power supply matches lead color coding used at the DC power source.



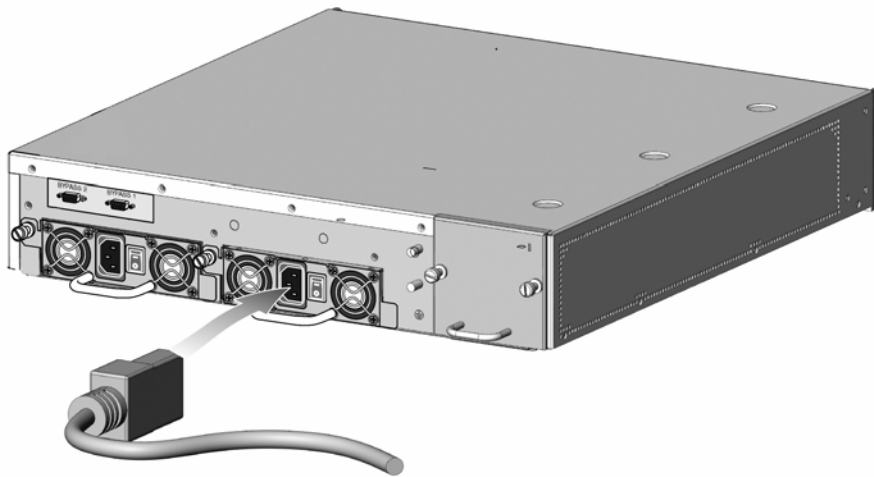
Note Use 12 AWG (2.5 mm) copper wire only with hex or loop connectors. Ring terminals must be UL approved and suitable for 12 AWG wire.

- Step 4** Using the number 2 Phillips screwdriver, securely fasten the protective plate to the terminal block.
- Step 5** Connect the DC power line input leads to the DC power source through a fast 4A circuit breaker.
- Step 6** Turn the on/off switch to the on (|) position.
- Step 7** Look at the IN and OK LEDs on the power supply unit and the corresponding Power LED on the front panel. If the DC-input power supply unit is operating properly, these LEDs will be glowing green.
- Step 8** Ensure that the power supply is properly aligned and the installation screw is tightened.
-

This completes the steps for reconnecting the DC-input power supply to the *SCE 2000* platform.

Connect the AC-Input Power Supply Unit

Figure 11: Connecting the AC Power



Step 1 Plug the AC-input power cable into the AC-input power receptacle on the AC-input power supply



Note For AC-input power, we recommend powering the *SCE 2000* platform from a 120 VAC, 15A receptacle U.S. (240 VAC, 10A international) at the power source.
15 A branch circuit protection is recommended.

Step 2 Plug the AC power supply cable into the AC power source.

Step 3 Turn the on/off switch to the on (|) position.

Step 4 Look at the IN and OK LEDs on the power supply unit and the corresponding Power LED on the front panel. If the AC-input power supply unit is operating properly, these LEDs will be glowing green.

Step 5 Ensure that the power supply is properly aligned and the installation screw is tightened.

5 Connect the Management Interfaces and Perform Initial System Configuration

This section explains how to connect the *SCE 2000* platform to a local console and perform the initial system configuration via the setup wizard that runs automatically.

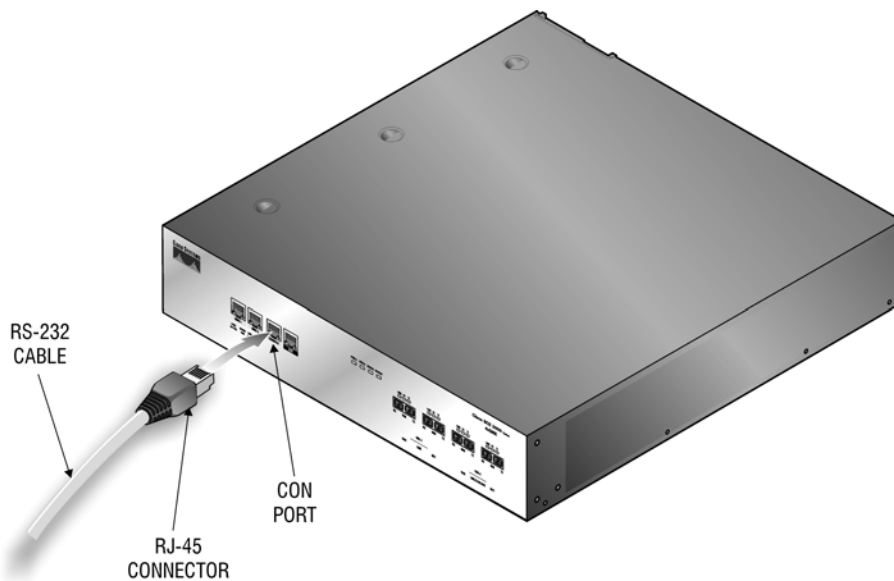
Additionally, this section contains instructions for cabling the Fast Ethernet Management interface.



Note When installing a cascaded system, it is extremely important to follow the sequence of procedures outlined in the section Installing a Cascaded System.

Connect the Local Console

Figure 12: Connecting to the Local Console



You must first connect the unit to a local console and configure the initial settings for the *SCE 2000* to support remote management. When the initial connection is established, the setup utility will run automatically, prompting you to perform the initial system configuration.

Make sure that the terminal configuration is as follows:

- 9600 baud
- 8 data bits
- No Parity
- 1 stop bits
- No flow control

The above *SCE 2000* port parameters are fixed and are not configurable.

Step 1 Plug the RS-232 serial cable provided with the *SCE 2000* into the CON port on the front panel of the *SCE 2000*.

Step 2 Connect the other end of the serial cable (with an attached DB-9 connector) to the VT100 compatible local (serial) terminal.

Step 3 At the console, press **Enter** several times until the Cisco logo appears on the local terminal and the setup configuration dialog is entered.

```
--- System Configuration Dialog ---
```

```
At any point you may enter a question mark '?' followed by 'Enter' for help.
Use ctrl-C to abort configuration dialog at any prompt.
Use ctrl-Z to jump to the end of the configuration dialog at any prompt.
Default settings are in square brackets '[]'.
```

```
Would you like to continue with the System Configuration Dialog? [yes/no]: y
```

Step 4 Type y and press **Enter**.

The system configuration dialog begins.

Initial System Configuration

Upon initial connection to the local terminal, as described above, the system configuration wizard automatically runs to guide the user through the entire setup process. The wizard prompts for all necessary parameters, displaying default values, where applicable. You may accept the default values or define other values.

With the exception of the time settings, which take effect immediately when entered, the new configuration is applied and saved only at the end of the dialog when approved by the user. Therefore, if the setup dialog is aborted, no change takes place in the configuration, other than time settings (if entered).

When the dialog is complete, you may review the new configuration before applying it. The system displays the configuration, including parameters that were not changed. The system also displays any errors that are detected in the configuration. When the configuration is satisfactory, you may apply and save the new configuration.

The following table lists all the parameters included in the initial configuration. It is recommended that you obtain values for any parameters that you will configure at this time before beginning the setup.



Note For further information regarding any configuration step or specific parameter, refer to the relevant section in the *Cisco SCE 2000 4xGBE Software Configuration Guide*.

Table 5-1 Setup Command Parameters

IP address	IP address of the <i>SCE 2000</i> .
subnet mask	Subnet mask of the <i>SCE 2000</i> .
default gateway	Default gateway.

hostname	Character string used to identify the <i>SCE 2000</i>
admin password	Admin level password. Character string from 4-100 characters beginning with an alpha character.
root password	Root level password. Character string from 4-100 characters beginning with an alpha character.
password encryption status	Enable or disable password encryption?
Time Settings	
time zone name and offset	Standard time zone abbreviation and minutes offset from UTC.
local time and date	Current local time and date. Use the format: 00:00:00 1 January 2002
SNTP Configuration	
broadcast client status	Set the status of the SNTP broadcast client. If enabled, the SCE will synchronize its local time with updates received from SNTP broadcast servers.
unicast query interval	Interval in seconds between unicast requests for update (64 – 1024)
unicast server IP address	IP address of the SNTP unicast server.
DNS Configuration	
DNS lookup status	Enable or disable IP DNS-based hostname translation.
default domain name	Default domain name to be used for completing unqualified host names
IP address	IP address of domain name server. (maximum of 3 servers)
RDR Formatter Destination Configuration	
IP address	IP address of the RDR-formatter destination
TCP port number	TCP port number of the RDR-formatter destination
Access Control Lists	
Access Control List number	How many ACLs will be necessary? What IP addresses will be permitted/denied access for each management interface? You may want ACLs for the following: <ul style="list-style-type: none"> • Any IP access • Telnet access • SNMP GET access • SNMP SET access
list entries (maximum 20 per list)	IP address, and whether permitted or denied access.
IP access ACL	ID number of the ACL controlling IP access.
telnet ACL	ID number of the ACL controlling telnet access.

SNMP Configuration	
SNMP agent status	Enable or disable SNMP management.
GET community names	Community strings to allow GET access and associated ACLs (maximum 20).
SET community names	Community strings to allow SET access and associated ACLs (maximum 20).
trap managers (maximum 20)	Trap manager IP address, community string, and SNMP version.
Authentication Failure trap status	Sets the status of the Authentication Failure traps.
enterprise traps status	Sets the status of the enterprise traps.
system administrator	Name of the system administrator.
Topology Configuration	
connection mode	Is the <i>SCE 2000</i> installed in bump-in-the-wire topology (inline) or out of line using an optical splitter (receive-only)?
type of deployment	Is this a cascade topology, with two <i>SCE 2000</i> s connected via the cascade ports? Or is this a single platform topology?
physically connected link (cascade topology only)	In a cascade deployment this parameter sets the index for the link that this <i>SCE 2000</i> is deployed on. The options for <i>SCE 2000</i> are link-0 or link-1. In a single- <i>SCE 2000</i> Platform deployment this parameter is not relevant since one <i>SCE 2000</i> is deployed on both links. In this case the link connected to port1-port2 is by default link-0 and the link connected to port3-port4 is by default link-1.
priority (cascade topology only)	If this is a cascaded topology, is this <i>SCE 2000</i> the primary or secondary <i>SCE 2000</i> ?
on-failure behavior (inline connection mode only)	If this <i>SCE 2000</i> is deployed inline, should the failure behavior be bypass or cutoff of the link?
Admin status of the <i>SCE 2000</i> after abnormal boot	After a reboot due to a failure, should the <i>SCE 2000</i> remain in a Failure status or move to operational status provided no other problem was detected?

Following are some general instructions regarding the setup dialog:

- All default values appear in square brackets [**default**].
If no value appears in the brackets [], or more than one option appears [**yes/no**], then this parameter does not have a default value.
- To accept the default value, press **Enter**.
- If you need more information about any parameter, type ? and press **Enter**.
A help message will appear describing the expected format of the parameter and any other requirements.
- To jump to the end of the setup dialog at any point, accepting all remaining default values, press **^z**.

- In certain cases, there will be two or more logically related parameters within a menu. In these situations, it is not permitted to jump to the end of the setup dialog until all related parameters are configured. If you try to jump to the end of the setup dialog, the following message will appear: “Sorry, Skipping is not allowed at this stage.”
- Certain groups of related parameters, such as time, date, and SNTP settings, form sub-dialogs or menus within the setup dialog. You may skip an entire menu, thereby accepting all default values for the parameters within the menu. Each group of related parameters is prefaced by a question, asking whether you want to enter the menu. To skip the menu, answer no (“n”) to the question.

EXAMPLE:

Would you like to enter the SNMP configuration menu? **n**

- To abort the setup dialog at any point without making any configuration changes, press **^c**. All changes already entered will be lost, with the exception of time settings.

Step 1: Configuring Initial Settings

Verify the following initial settings for the *SCE 2000*:

- IP address
- Subnet mask
- Default gateway

All values are Internet addresses of the form ‘X.X.X.X’, where each letter corresponds to a decimal number between 0 and 255.

To configure the initial settings, complete the following steps:

Step 1 The current IP address is displayed.

- To accept the displayed value, press **Enter**.
- To change the value, type the desired value in the format “x.x.x.x” and press **Enter**.

Step 2 The current subnet mask is displayed.

- To accept the displayed value, press **Enter**.
- To change the value, type the desired value in the format “x.x.x.x” and press **Enter**.

Step 3 The current IP address of the default gateway is displayed.

- To accept the displayed value, press **Enter**.
- To change the value, type the desired value in the format “x.x.x.x” and press **Enter**.

EXAMPLE:

The following example displays a typical configuration of the IP address (10.1.5.109), subnet mask (255.255.0.0), and default gateway (10.1.1.3).

Since the IP address and the subnet mask are related, when the IP address is changed, there is no longer a default value of the subnet mask, and it must be entered explicitly.

```
Enter IP address [10.1.1.201]:10.1.5.109
Enter IP subnet mask:255.255.0.0
Enter IP address of default gateway [10.1.1.3]:
```

Step 2: Configuring the Hostname

The hostname is used to identify the *SCE 2000*. It appears as part of the CLI prompt and is also returned as the value of the MIB-II object sysName.

The default hostname is *SCE 2000*.

To configure the hostname, complete the following steps:

Step 1 The current hostname is displayed.

- To accept the displayed value, press **Enter**.
- To change the value, type any desired character string and press **Enter**.

```
Enter hostname [SCE 2000]:
```

Step 3: Setting the Passwords

Configure the passwords as follows:

- Set the password for each authorization level (User, Admin, Root).
- Enable/disable password encryption. When password encryption is enabled, it encrypts the previously entered passwords.



Note Passwords are needed for all authorization levels in order to prevent unauthorized users from accessing the *SCE 2000*. Admin level should be used by the network administrator. Root level is for use by Cisco technician.

Passwords must meet the following criteria:

- Minimum length: 4 characters
- Maximum length: 100 characters
- Begin with an alpha character
- May contain only printable characters



Note Passwords are case sensitive.



Note The default password for all levels is “cisco”.

To change the passwords, complete the following steps:

Step 1 The default User password is displayed.

- To accept the displayed value, press **Enter**.
- To change the value, type the desired string and press **Enter**.

Step 2 The default Admin password is displayed.

- To accept the displayed value, press **Enter**.
- To change the value, type the desired string and press **Enter**.

Step 3 The default Root password is displayed.

- To accept the displayed value, press **Enter**.
- To change the value, type the desired string and press **Enter**.

Step 4 Configure password encryption. By default, password encryption is not enabled.

- To disable password encryption, press **Enter**.
 - To enable password encryption, type **y** and press **Enter**.
-

EXAMPLE:

Following is an example of changing all passwords. Password encryption is not enabled (default).

```
Enter a User password [cisco]: userin  
Enter an Admin password [cisco]: mng123  
Enter a Root password [cisco]: cistech  
Enable passwords encryption? [no]:
```

Step 4: Configuring Time Settings

The time settings menu configures all time and date related parameters in the system. The time settings menu includes the following:

- Time zone
- Local time
- Date
- SNTP menu

You must enter the time setting menu in order to configure SNTP settings. You may choose to skip the time settings menu if you wish to accept all default values.



Note Unlike all other settings defined in the system configuration, setting the time is done immediately and not at the end of the setup process.

To configure the time settings, complete the following steps:

Step 1 Enter the time settings menu.

Would you like to enter the Time settings menu? [no]: **y**

Type **y** and press **Enter**.

The time settings dialog begins.

Step 2 Type the time zone abbreviation and press **Enter**.

Enter time zone name [UTC]: **CET**

Step 3 Type the minutes offset from UTC and press **Enter**.

Enter time zone minutes offset from UTC: **60**

The local time and date are displayed, and you are asked whether you want to change them.

The local time and date is 15:00:01 CET FRI 01 July 2002

Would you like to set a new time and date? [no]:

Step 4 If the time and date are correct, go to step 5.

If the time and date are not correct, answer yes to the above question, and press **Enter**.

Would you like to set a new time and date? [no]: **y**

Confirm your response and type the new time and date.

This change will take effect immediately both on the system clock and the calendar; it will also set the time zone you entered. Are you sure? [yes/no]: **y**

Enter new local time and date: **14:00:01 1 July 2002**

Time zone was successfully set.

The system clock and the calendar were successfully set.

Step 5 You are asked whether you wish to enter the SNTP configuration menu.

If you do not wish to configure the SNTP, skip the rest of this section and go to *Step 5: Configuring the DNS Settings* (on page 26).

To enter the SNTP configuration dialog, type **y**, and press **Enter**

Would you like to enter the SNTP configuration menu? [no]: **y**

Step 6 Configure the SNTP broadcast client. By default the SNTP broadcast client is not enabled.

- To disable the SNTP broadcast client, press **Enter**.
- To enable the SNTP broadcast client, type **y** and press **Enter**.
Enable SNTP broadcast client? [no]:

Step 7 Define the time interval between unicast updates.

- To accept the displayed default value, press **Enter**.

- To change the value, type the desired number of seconds (64 through 1024) and press **Enter**.
Enter time interval in seconds between unicast updates [1024]:

Step 8 You may enter an IP address for the SNTP unicast server. Type in the hostname or the IP address in the form *x.x.x.x*, and press **Enter**

```
Would you like to configure SNTP unicast servers? [no]: y  
Enter IP address or hostname of SNTP unicast server: 10.1.1.1
```

EXAMPLE:

Following is a sample time setting dialog. In addition to setting the time zone, time and date are changed, and SNTP unicast updates are configured.

```
Would you like to enter the Time settings menu? [no]: y  
Enter time zone name [UTC]: ISR  
Enter time zone minutes offset from UTC: 120  
  
The local time and date is 15:35:23 ISR FRI July 19 2002  
Would you like to set a new time and date? [no]: y  
This change will take effect immediately both on the system clock and the calendar; it  
will also set the time zone you entered. Are you sure? [yes/no]: y  
Enter new local time and date: 14:35:23 19 July 2002  
Time zone was successfully set.  
The system clock and the calendar were successfully set.  
Would you like to enter the SNTP configuration menu? [no]: y  
Enable SNTP broadcast client? [no]: y  
Enter time interval in seconds between unicast updates [900]:  
Would you like to configure SNTP unicast servers? [no]: y  
Enter IP address or hostname of SNTP unicast server: 10.1.1.1
```

Step 5: Configuring the DNS Settings

The DNS configuration menu defines the IP address of the domain name server, which is used for DNS lookup, as well as the default domain name, which is used to complete unqualified host names.

You may choose to skip the DNS configuration menu if you wish to accept all default values.

To configure DNS settings, complete the following steps:

Step 1 Enter the DNS settings menu.

```
Would you like to enter the DNS configuration menu? [no]: y
```

Type **y** and press **Enter**.

The DNS settings dialog begins.

Step 2 Enable or disable DNS lookup.

- To enable DNS lookup, press **Enter**.
- To disable DNS lookup, type **n** and press **Enter**.

```
Enable IP DNS-based hostname translation? [yes]:
```

If you choose to disable DNS lookup, skip the rest of this section and go to *Step 6: Configuring the RDR Formatter Destination* (on page 27). The rest of the dialog is not presented, as it is irrelevant when DNS lookup is disabled.

Step 3 Type the default domain name to be used, and press **Enter**.

Note that there is no default domain name.

You may accept the default domain name or enter a new one.

Enter default domain name []:

Step 4 Type the IP address of the primary domain name server and press **Enter**.

Enter Primary DNS IP address:

Note that there is no default for this parameter.

Step 5 You may configure up to three domain servers.

Would you like to add another Name Server? [no]:

- To exit the DNS settings dialog, press **Enter**.
- To add another domain server, type **y** and press **Enter**.

You are asked to enter the IP address of the next domain name server.

Enter Secondary DNS IP address:

Step 6 When IP addresses for all servers have been entered, exit the dialog by pressing **Enter**.

Would you like to add another Name Server? [no]:

EXAMPLE:

Following is a sample DNS configuration dialog. The default domain name is pcube.com, and the IP address of the Domain Name Server is 10.1.1.230.

Would you like to enter the DNS configuration menu? [no]: **y**

Enable IP DNS-based hostname translation? [yes]:

Enter default domain name []: **pcube.com**

Enter Primary DNS IP address: **10.1.1.230**

Would you like to add another Name Server? [no]:

Step 6: Configuring the RDR Formatter Destination

The *SCE 2000* passes Raw Data Records (RDRs) to an external collection system via the RDR-Formatter. In order for the data to reach the correct location, the IP address of the external collection system and its port number must be configured.

To configure the RDR-formatter destination, complete the following steps:

Step 1 Enter the RDR formatter configuration menu.

Would you like to enter the RDR-formatter configuration menu? [no]: **y**

Type **y** and press **Enter**.

The RDR-formatter destination dialog begins.

Step 2 Type the IP address of the RDR-formatter destination and press **Enter**.

Enter RDR-formatter destination's IP address:

Note that there is no default for this parameter.

Step 3 Type the TCP port number of the RDR-formatter destination and press **Enter**.

Note that there is no default for this parameter.

Enter RDR-formatter destination's TCP port number:

EXAMPLE:

Following is a sample RDR-formatter configuration dialog, assigning the IP address and TCP port number.

```
Would you like to enter the RDR-formatter configuration menu? [no]: y
Enter RDR-formatter destination's IP address: 10.1.1.230
Enter RDR-formatter destination's TCP port number: 33000
```

Step 7: Configuring Access Control Lists (ACLs)

The *SCE 2000* can be configured with Access Control Lists (ACLs), which are used to permit or deny incoming connections on any of the management interfaces.



Note ACL #0 is a pre-defined list that permits access to all IP addresses.

Configuration of access control lists is done in two stages:

Step 1 Create the access control lists.

You may create 99 ACLs with a maximum of 20 entries per list. Each entry consists of an IP address, and an indication of whether access is permitted or denied to this IP address.

Step 2 Assign the ACLs to the appropriate management interface. (See Step 9: Configuring the Topology-Dependent Parameters.)

The dialog permits you to skip the creation/editing of the ACLs and go directly to assigning ACLs to the management interfaces.

Entry Formats

Each ACL may permit/deny access to any IP address, one or more ranges of IP addresses, or one or more individual IP address. Three entry formats are available to support these options:

- Any IP address: Type the word “**any**”. Any IP address will be permitted or denied access.
- Range of IP addresses: Type the beginning IP address in the desired range, then enter the wildcard bits that define the range.

This wildcard functions like a reverse mask, in that all “1” bits in the wildcard indicate the corresponding bit in the IP address should be ignored. All other bits must match the corresponding bit in the specified IP address. Refer to the table below for examples.

Each range of IP addresses can be configured to be permitted or denied access.

- Individual IP address: Type the desired IP address, then enter the wildcard bits **0.0.0.0**.

Each individual IP address can be configured to be permitted or denied access.

Table 5-2 IP address/Wildcard bit examples

Initial IP address	Wildcard bits	Range
10.1.1.0	0.0.0.255	10.1.1.0–10.1.1.255
10.1.1.0	0.0.0.63	10.1.1.0–10.1.1.63
10.1.1.0	0.0.0.0	10.1.1.0 (individual entry)

Order of Entries

The order of the entries in the list is important. The entries in the list are tested sequentially, and the action is determined by the first entry that matches the connecting IP address. Therefore, when the entry “any” appears in an Access Control List, all succeeding entries are irrelevant.

Consider two hypothetical ACLs containing the same entries in a different order.

The following list would permit access to all IP addresses, including 10.1.1.0:

permit any

deny 10.1.1.0

Note that the above list could not actually be created using the setup utility, since after the “any” entry, no other entries could be added to the list.

The following list will deny access to IP address 10.1.1.0, but permit access to all others:

deny 10.1.1.0

permit any

If no entry in the assigned Access Control List matches the connection, or if the Access Control List is empty, the default action is **deny**.

To create the access control lists, complete the following steps:

Step 1 Enter the Access Control Lists configuration menu.

Would you like to enter the Access lists configuration menu? [no]: **y**

Type **y** and press **Enter**.

The Access Control Lists configuration dialog begins.

Step 2 You have the option of creating or modifying Access Control Lists, or skipping this section and proceeding directly to assign the existing ACLs to the desired management interfaces.

Would you like to create new Access lists or modify existing lists? [no]: **y**

If you choose not to create or edit Access Control Lists, skip to Step 9: Configuring the Topology-Dependent Parameters.

Step 3 Type the number of the Access Control List to be configured (1 through 99) and press **Enter**.

Note that there is no default for this parameter.

Step 4 Begin adding entries to the selected list.

Indicate whether this entry is permitted access or denied access.

- To permit access, press **Enter**.
- To deny access, type **n** and press **Enter**.
Does this entry permit access? [yes]:

Step 5 Type the IP address to be added to this list, and press **Enter**.

Type “**any**” and press **Enter** to include any IP address in the ACL.

Note that there is no default for this parameter.

Enter IP address or the word ‘any’ to denote any IP address:

Step 6 If you entered a specific IP address, enter the wildcard bits to define a range of IP addresses and press **Enter**. (See *Entry Formats* (on page 28).)

To define an individual IP address, type **0.0.0.0** and press **Enter**.

There is no default for this parameter.

Enter wildcard bits:

Step 7 The maximum number of entries in an ACL is 20.

If the “any” option was used, no other IP addresses may be added to the list.

- To add more entries, type **y** and press **Enter**
Would you like to add another entry to this list? [no]:**y**
Enter up to 20 entries as described in step 5 and step 6.

- When all entries have been added, press **Enter**
Would you like to add another entry to this list? [no]:

Step 8 When all entries are added to one list, you are asked whether you would like to create another ACL. You may define up to 99 ACLs.

- To create another ACL, type **y** and press **Enter**
Would you like to configure another list? [no]: **y**
Enter up to 20 IP addresses in this new ACL, as described in step 5 and step 6.

- When all ACLs have been created, press **Enter**.
Would you like to configure another list? [no]:
You are now prompted to assign the desired ACLs to restrict IP and Telnet access.

Step 9 Restrict IP access to the *SCE 2000* by assigning the appropriate ACL.

Type the number of the ACL to be assigned to IP access and press **Enter**.

To accept the default ACL, press **Enter**.

Enter IP access-class [0]:

Step 10 Restrict Telnet access to the *SCE 2000* by assigning the appropriate ACL.

Type the number of the ACL to be assigned to the Telnet interface and press **Enter**.

To accept the default ACL, press **Enter**.

```
Enter Telnet access-class [0]: 2
```

EXAMPLE:

This example illustrates a common access control scenario. Let us assume the following:

- We want to permit every station to access the SCE on the management port (e.g. ping, SNMP polling etc.).
- We want to restrict Telnet access to only a few permitted stations.

We therefore need to create two access control lists:

- For general IP access: permit access to all IP addresses.
- For Telnet: permit access to the specified IP address, and deny to all others.

ACL #1 = permit any IP address. Assign to IP access.

ACL #2 = permit access to 10.1.1.0, 10.10.10.1, deny to all others. Assign to Telnet access.

```
Would you like to enter the Access lists configuration menu? [no]: y
Would you like create new Access lists or modify existing lists? [no]: y
Enter ACL number: 1
Does this entry permit access? [yes]:
Enter IP address or the word 'any' to denote any IP address: any
This entry matches every IP address, no use in adding more entries to this list.
Would you like to configure another list? [no]: y
Enter ACL number: 2
Does this entry permit access? [yes]:
Enter IP address or the word 'any' to denote any IP address: 10.1.1.0
Enter wildcard bits: 0.0.0.0
Would you like to add another entry to this list? [no]:y
Does this entry permit access? [yes]:
Enter IP address or the word 'any' to denote any IP address: 10.10.10.1
Enter wildcard bits: 0.0.0.0
Would you like to add another entry to this list? [no]:y
Does this entry permit access? [yes]:n
Enter IP address or the word 'any' to denote any IP address: any
This entry matches every IP address, no use in adding more entries to this list.
Would you like to configure another list? [no]:
Enter IP access-class [0]: 1
Enter Telnet access-class [0]: 2
```

EXAMPLE 2:

This example skips the first section of the dialog (creating/modifying), and proceeds directly to assign existing ACLs.

```
Would you like to enter the Access lists configuration menu? [no]: y
Would you like create new Access lists or modify existing lists? [no]:
Enter IP access-class [0]: 10
Enter Telnet access-class [0]: 22
```

Step 8: Configuring SNMP

Managing the *SCE 2000* is possible also via a Network Management System (NMS) that supports SNMP. By default, SNMP is disabled on the *SCE 2000*.

To enable SNMP management you must configure the following basic SNMP parameters:

- SNMP traps status and managers.

- Community strings (where an SNMP community string is a text string that acts like a password to permit access to the SNMP agent on the *SCE 2000*).

To configure SNMP parameters, complete the following steps:

Step 1 Enter the SNMP configuration menu.

Would you like to enter the SNMP configuration menu? [no]: **y**

Type **y** and press **Enter**.

The SNMP configuration dialog begins.

Step 2 Enable SNMP management.

Type **y** and press **Enter**.

Enable SNMP management? [no]: **y**

If you choose to disable SNMP management, skip the rest of this section and go to Step 9: Configuring the Topology-Dependent Parameters. The rest of the dialog is not presented, as it is irrelevant when SNMP management is disabled.

Step 3 Type the SNMP GET community name and press **Enter**.

The SNMP agent that resides inside the *SCE 2000* will respond only to GET requests that use this community string.

Enter SNMP GET community name:

Note that there is no default for this parameter.

Step 4 Assign an access list to restrict the SNMP management stations that may use this GET community.

Type a number (1 through 99) or type "0" to permit access to all IP addresses, and press **Enter**.

Enter Access list number allowing access with this community string, use '0' to allow all:

Step 5 The maximum number of GET communities is 20.

- To add more entries, type **y** and press **Enter**
- Would you like to add another SNMP GET community? [no]:**y**

Enter up to 20 SNMP GET communities as described in step 3 and step 4.

- When all entries have been added, press **Enter**

Would you like to add another SNMP GET community? [no]:

Step 6 Type the SNMP SET community name and press **Enter**.

The SNMP agent that resides inside the *SCE 2000* will respond only to SET requests that use this community string.

Enter SNMP SET community name:

Note that there is no default for this parameter.

Step 7 Assign an access list to restrict the SNMP management stations that may use this SET community.

Type a number (1 through 99) or type "0" to permit access to all IP addresses, and press **Enter**.

Enter Access list number allowing access with this community string, use '0' to allow all:

Step 8 The maximum number of SET communities is 20.

- To add more entries, type **y** and press **Enter**
Would you like to add another SNMP SET community? [no]:**y**
Enter up to 20 SNMP SET communities as described in step 6 and step 7.
- When all entries have been added, press **Enter**
Would you like to add another SNMP SET community? [no]:

Step 9 Enter the SNMP trap managers menu.
Would you like to configure SNMP trap managers? [no]: **y**
Type **y** and press **Enter**.

The SNMP trap managers dialog begins.

If you choose not to configure SNMP trap managers, the dialog skips to the authentication failure trap status. (See step 14.)

Step 10 Type the trap manager IP address and press **Enter**.
Enter SNMP trap manager IP address:
Note that there is no default for this parameter.

Step 11 Type the trap manager community string and press **Enter**.
Note that there is no default for this parameter.
Enter SNMP trap manager community string:

Step 12 Type the number of the trap manager SNMP version (1 or 2c) and press **Enter**
Note that there is no default for this parameter.
Enter trap manager SNMP version:

Step 13 The maximum number of trap managers is 20.

- To add more entries, type **y** and press **Enter**
Would you like to add another SNMP trap manager? [no]:**y**
Enter up to 20 trap managers as described in step 10 through step 12.
- When all entries have been added, press **Enter**
Would you like to add another SNMP trap manager? [no]:

Step 14 Configure the Authentication Failure trap status.

- To disable the Authentication Failure trap, press **Enter**.
- To enable the Authentication Failure trap, type **y** and press **Enter**.
Enable the 'Authentication Failure' trap [no]:

Step 15 Configure the SCE enterprise trap status.

- To disable the SCE enterprise traps, type **n** press **Enter**.
- To enable the SCE enterprise traps, type **y** and press **Enter**.
Enable the SCE enterprise traps []:

Step 16 Type the name of the system administrator and press **Enter**.
Note that there is no default for this parameter.

Enter system administrator contact name []:

EXAMPLE:

Following is a sample SNMP configuration, configuring one trap manager, one GET community, and one SET community, and enabling the authentication failure trap, as well as all enterprise traps.

```
Would you like to enter the SNMP configuration menu? [no]: y
Enable SNMP management? [no]: y
Enter SNMP GET community name[]: public
Enter Access list number allowing access with this community string, use '0' to allow
all: 0
Would you like to add another SNMP GET community? [no]:
Enter SNMP SET community name[]: private
Enter Access list number allowing access with this community string, use '0' to allow
all: 2
Would you like to add another SNMP SET community? [no]:
Would you like to configure SNMP trap managers? [no]: y
Enter SNMP trap manager IP address: 10.1.1.253
Enter SNMP trap manager community string: public
Enter trap manager SNMP version: 2c
Would you like to add another SNMP trap manager? [no]:
Enable the 'Authentication Failure' trap [no]: y
Enable SCE enterprise traps []: y
Enter system administrator contact name []: John Smith
```

Step 9: Configuring the Topology-Dependent Parameters

The topology configuration menu is a series of guided questions relating to the deployment of the *SCE 2000* in the network and its mode of operation. Values for the parameters are configured based on the user answers.

The correct value for each parameter must be ascertained before configuring the system to make sure that the system will function in the desired manner. (See Topology for a comprehensive discussion of topology and the related parameters.)



Note Values may not be requested for all topology-dependent parameters, as certain parameters do not apply to all topologies.

There are six topology-related parameters:

- **Connection mode:** Can be either of the following, depending on the physical installation of the *SCE 2000*.
 - Inline
 - Receive-only
- **Type of deployment:** Can be one of the following, depending on the actual deployment:
 - Single-SCE Platform: a single *SCE 2000* is deployed on one or two SCAS BB Console links
 - Cascade: two cascaded *SCE 2000*s are deployed on two SCAS BB Console links, working as a fully redundant solution.
- **Physically connected link (cascade topology only):** In a cascade topology, the user must assign an index to each of the links. This index is used to identify the services per link.

In a single-SCE Platform deployment, the indices of the links cannot be changed by the user and are:

- link-0: the link connected to ports 1 and 2

- link-1: the link connected to ports 3 and 4

In a cascade deployment, the user must define which link is connected to which *SCE 2000*. The index must be different for each *SCE 2000*. In this case the user can choose one of the following:

- Link-0: the link connected to this *SCE 2000* is identified as 0.
- Link-1: the link connected to this *SCE 2000* is identified as 1.
- **Priority (cascade topology only):** In a cascade topology, this parameter determines which *SCE 2000* is chosen as the active *SCE 2000* in the “active election” procedure. This decision is taken only when both *SCE 2000*s are starting up together. If there is one working *SCE 2000* and the other is just starting up, then the working one will automatically be chosen as active and the other one as standby. This parameter can be set to one of the following:
 - Primary
 - Secondary
- **On-Failure behavior:** Determines the behavior of the *SCE 2000* upon failure, or reboot. One of the following link modes may be chosen for the *SCE 2000* in the cases of failure or reboot.:
 - Bypass: traffic is bypassed using the internal bypass card.
 - Cutoff: the link is forced down.
- **Admin status after abnormal reboot:** This parameter determines whether the *SCE 2000* returns to full operational mode after abnormal (not user-requested) boot, or stays in non-operational mode, in which the *SCE 2000* behaves as in failure mode. This parameter can be set to one of the following:
 - Operational
 - Non-operational

The procedure described below is a presentation of all the questions in the topology configuration. In actual practice, all questions may not be presented for a particular configuration, depending on the topology deployed.

Study the examples that follow to understand the procedure for various topologies.

To configure topology dependent parameters, complete the following steps:

Step 1 Enter the topology configuration menu.

```
Would you like to enter the Topology configuration menu? [no]: y
```

Type **y** and press **Enter**.

The topology configuration dialog begins.

Step 2 Specify the connection mode.

- To define **inline** connection mode, press **Enter**.
- To define **receive-only** connection mode, type **2** and press **Enter**.

```
Enter Connection mode:
1- inline
2- receive-only
Enter your choice [1]:
```

Step 3 Specify the deployment type.

- To specify a **Single-SCE Platform** deployment, press **Enter**.

- To specify a **Cascade** deployment, type **y** and press **Enter**.
Is this a cascade deployment? [no]:

Step 4 Specify the physically-connected-link index.

- To specify **link-0**, press **Enter**.
- To specify link-1, type 1 and press Enter.
Enter Physically connected link:
0- link-0
1- link-1
Enter your choice [0]:

Step 5 Specify the **SCE 2000** priority.

- To specify **Primary**, press **Enter**.
- To specify **Secondary**, type **2** and press **Enter**.
Enter **SCE 2000** priority:
1- primary
2- secondary
Enter your choice [1]:

Step 6 Specify the On-failure link behavior.

- To specify **Bypass**, press **Enter**.
- To specify **Cutoff**, type **2** and press **Enter**.
Enter On-failure behavior:
1- bypass
2- cutoff
Enter your choice [1]:

Step 7 Specify the status of the **SCE 2000** after abnormal boot.

- To specify **Operational** status after abnormal boot, press **Enter**.
 - To specify **Not-Operational** status after abnormal boot, type **2** and press **Enter**.
Enter admin status of the SCE after abnormal boot:
1- Operational
2- Not-Operational
Enter your choice [1]:
-

The following examples present the procedure for configuring the topology-related parameters for various topologies.

EXAMPLE #1:

Following is a sample topology configuration for a non-redundant topology using an optical splitter, that is, a single *SCE 2000* connected in receive-only connection mode, to one or two GBE links

```
Would you like to enter the Topology configuration menu? [no]: y
Would you like to enter the Topology configuration menu? [no]: y
Enter Connection mode:
1- inline
2- receive-only
Enter your choice [1]: 2
Is this a cascade deployment? [no]: no
Enter admin status of the SCE after abnormal boot:
1- Operational
2- Not-Operational
Enter your choice [1]: 1
```

Data collection for the system configuration is completed.

All other parameter values are automatically assigned by the system.

EXAMPLE #2:

Following is a sample topology configuration for a non-redundant bump-in-the-wire (inline) topology. In this topology, a single *SCE 2000* is connected to one or two GBE links.

When the inline connection mode is specified, the user must specify the on-failure link behavior.

```
Would you like to enter the Topology configuration menu? [no]: y
Enter Connection mode:
1- inline
2- receive-only
Enter your choice [1]: 1
Is this a cascade deployment? [no]: no
Enter On-failure behavior:
1- bypass
2- cutoff
Enter your choice [1]: 1
Enter admin status of the SCE after abnormal boot:
1- Operational
2- Not-Operational
Enter your choice [1]: 1
```

Data collection for the system configuration is completed.

EXAMPLE #3:

Following is a sample topology configuration for a secondary *SCE 2000* in a redundant inline topology. In this topology there are two *SCE 2000*s that are cascaded via the cascade GBE ports (ports 3 and 4). Each *SCE 2000* is connected inline to both sides (subscribers/network) of one GBE link.

In this case, the user must specify the physically-connected-link index (link-0 in our example), the priority of the *SCE 2000*, and the on-failure link behavior.

```
Would you like to enter the Topology configuration menu? [no]: y
Enter Connection mode:
1- inline
2- receive-only
Enter your choice [1]: 1
Is this a cascade deployment ? [no]: yes
Enter Physically connected link:
0- link-0
1- link-1
Enter your choice [0]: 0
Enter SCE 2000 priority:
1- primary
2- secondary
Enter your choice [1]: 2
Enter On-failure behavior:
1- bypass
2- cutoff
Enter your choice [1]: 1
Enter admin status of the SCE after abnormal boot:
1- Operational
2- Not-Operational
Enter your choice [1]: 1

Data collection for the system configuration is completed.
```

Step 10: Completing and Saving the Configuration

When you have completed the entire configuration, the system checks for errors. If errors are found, a warning message appears. When the configuration is error-free, you may apply and save it.

To complete and save the configuration, complete the following steps:

Step 1 The system informs you that data collection is complete.

It is recommended that you view the entire new configuration before it is applied.

Type **y** and press **Enter**.

Note that there is no default.

If there are no errors, go to step 3.

```
Data collection for the system configuration is completed.
```

```
Would you like to view the new configuration before it is applied? [yes/no]: y
```

Step 2 If any errors are detected, you may choose to view them.

Press **Enter**.

```
Found errors in the new configuration, would you like to view them? [yes]:
The following errors were found:
Warning - RDR formatter destination 10.1.1.1 is not allowed in the IP access-class.
```

Step 3 You are asked whether to apply and save the configuration.

```
Apply and Save this configuration? [yes/no]:
```

- To apply and save the configuration, type **y** and press **Enter**.
- To abort the setup procedure without applying or saving the configuration (recommended if there are errors), type **n** and press **Enter**.

```
Setup procedure aborted, no configuration changes made.
```

```
If the setup is aborted, the dialog is ended.
```

Step 4 If there are no errors, the system requests confirmation of either a yes or no answer, in order to prevent mistakes.

```
Type the appropriate answer (y or n) and press Enter.
```

```
The running configuration would be overwritten by the changes you have just entered, are you sure? [yes/no]:
```

```
The selected action is carried out by the system.
```

- If the apply and save action is not confirmed (**no**), the setup is aborted.

```
Setup procedure aborted, no configuration changes made.
```
- If the apply and save action is confirmed (**yes**), the configuration is applied and saved.

```
The new running configuration will be saved to the startup configuration.
```

Step 5 If the configuration was applied and saved, you may also save it to a file at a remote station.

```
Do you want to save a copy of the startup configuration file in a remote station? [no]:
```

```
To save the configuration to a remote station, type y and press Enter.
```

```
The system will ask for FTP path:
```

```
Enter a full FTP path of the remote destination:
```

Step 6 The system informs you that the configuration is complete.

```
Committing configuration...
```

```
Configuration completed successfully.
```

```
Saving configuration...
```

```
Writing general configuration file to temporary location...
```

```
Backing-up general configuration file...
```

```
Copy temporary file to final location...
```

```
Done!
```

This completes the procedures for initial configuration of the *SCE 2000* platform.

EXAMPLE #1:

Following is an example of a configuration that the user aborted due to errors detected in the configuration.

Note that no confirmation is requested for the decision to abort the setup. Had there been no errors, confirmation would have been requested before aborting.

```
Data collection for the system configuration is completed.
Would you like to view the new configuration before it is applied? [yes/no]: n
Found errors in the new configuration, would you like to view them? [yes]: y
The following errors were found:
Warning - RDR formatter destination 10.1.1.1 is not allowed in the IP access-class.
Warning - default Gateway 10.1.1.1 is not allowed in the IP access-class.
Warning - IP Access list (1) conflicts with Telnet Access list (2) as follows:
Access list 2 permits all addresses while Access list 1 denies it.
Apply and Save this configuration? [yes/no]: n
```

Setup procedure aborted, no configuration changes made.

EXAMPLE #2:

Following is an example of a configuration that was applied and saved to the startup configuration as well as to an FTP site.

Although not demonstrated in this example, it is recommended that you always view the configuration before applying it.

```
Data collection for the system configuration is completed.
Would you like to view the new configuration before it is applied? [yes/no]:
Apply and Save this configuration? [yes/no]: y
```

(New configuration would be displayed here)

```
The running configuration would be overwritten by the changes you have just entered, are
you sure? [yes/no]:y
```

```
The new running configuration will be saved to the startup configuration.
Do you want to save a copy of the startup configuration file in a remote station? [no]:y
Enter a full FTP path of the remote destination:
ftp://vk:vk@10.1.1.253/h:/copyofstartup.txt
Committing configuration...
```

Configuration completed successfully.

```
Saving configuration...
Writing general configuration file to temporary location...
Backing-up general configuration file...
Copy temporary file to final location...
```

Done!

EXAMPLE #3:

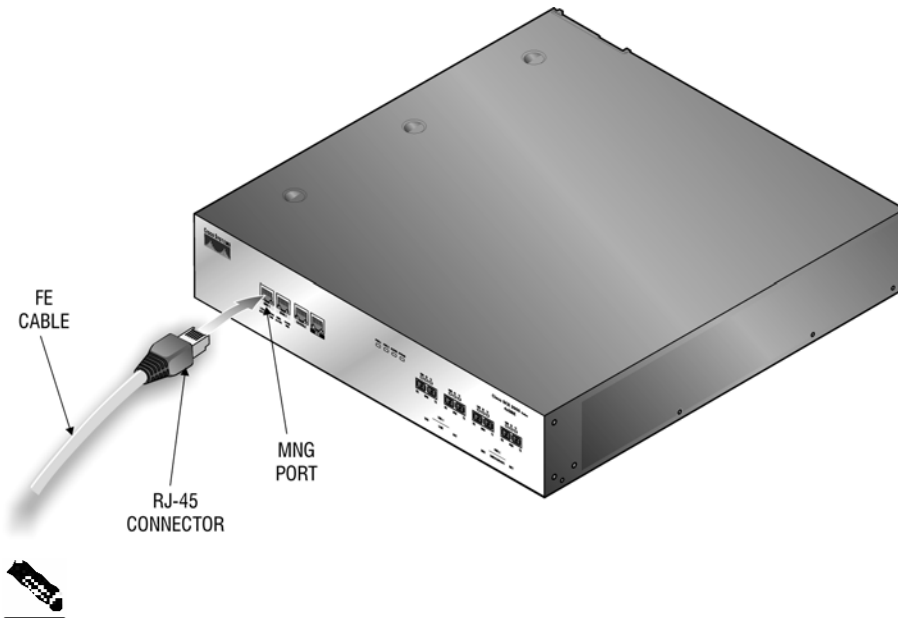
Following is an example of a configuration that was aborted, although no errors were detected.

```
Data collection for the system configuration is completed.
Would you like to view the new configuration before it is applied? [yes/no]:
Apply and Save this configuration? [yes/no]: n
The changes you have just entered would be discarded, are you sure? [yes/no]:y
```

Setup procedure aborted, no configuration changes made.

Connect the Management Interface

Figure 13: Cabling the Management Port



Note By default, the management port is configured to auto-negotiation enabled.

The *SCE 2000* has two management ports, labeled Mng 1 and Mng 2. Use the Mng 1 port.

-
- Step 1** Plug the Ethernet cable provided (with attached RJ-45 connector) into the Mng 1 port on the front panel of the *SCE 2000*.
- Step 2** Connect the other end of the Ethernet cable into your management network.
The Link LED on the *SCE 2000* management port should light up.
- Step 3** Test connectivity. From the host that you intend to use for remote management, ping to the *SCE 2000* by typing **ping** and the *SCE 2000* IP address, and pressing **Enter** (see the example, below).
This verifies that an active connection exists between the specified station and the management port.
-

EXAMPLE:

The following example displays a typical ping response where the target IP address is 10.1.1.201.

```
C:\>ping 10.1.1.201
pinging 10.1.1.201 ...
PING 10.1.1.201: 56 data bytes
64 bytes from host (10.1.1.201): icmp_seq=0. time=0. ms
64 bytes from host (10.1.1.201): icmp_seq=1. time=0. ms
64 bytes from host (10.1.1.201): icmp_seq=2. time=0. ms
64 bytes from host (10.1.1.201): icmp_seq=3. time=0. ms
----10.1.1.201 PING Statistics----
4 packets transmitted, 4 packets received, 0% packet loss
round-trip (ms) min/avg/max = 0/0/0
```

6 Cable the Line Ports

This section provides instructions for cabling the Gigabit Ethernet ports for both one and two *SCE 2000* topologies, and for configuring Gigabit Ethernet (GBE) interface parameters. In a topology utilizing two *SCE 2000s* (cascade), this includes the cascade ports as well as the line ports.



Warning

Class 1 laser. Avoid exposure to radiation and do not stare into open aperture.



Note

When installing a cascaded system, it is extremely important to follow the sequence of procedures outlined in the section *Installing a Cascaded System*.

Cabling Diagrams

Before beginning, find the appropriate cabling diagram for the topology in your installation:

- Single *SCE 2000* topologies
 - *Single Link: Inline Topology* (on page [44](#))
 - *Single Link: Receive-only Topology* (on page [44](#))
 - *Dual Link: Single SCE 2000 Topologies* (on page [45](#))
- Dual *SCE 2000* topologies (cascaded)
 - *Dual Link: Two SCE 2000s Topology* (on page [46](#))



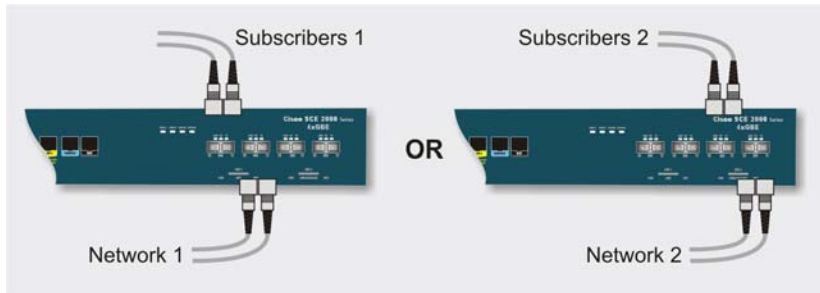
Note

When installing a cascaded system, it is extremely important to follow the sequence of procedures outlined in the section *Installing a Cascaded System* (on page [58](#)).

Single Link: Inline Topology

In the inline, or bump-in-the-wire topology, the *SCE 2000* resides physically on the GBE (Gigabit Ethernet) link between the subscribers, which are usually connected through either a BRAS (in DSL access), a PDSN (in wireless access), a CMTS (in the Cable access), or a switch or router aggregator (in other topologies), and the network, where the *SCE 2000* usually connects to a router or layer 3 switch network element.

Figure 14: Cabling Diagram for Single Link Inline Topology



In the single link inline topology, either the first GBE link (first two ports) of the *SCE 2000* or the second GBE link (third and fourth ports) can be used, as illustrated in the diagram above. The remaining pair of ports is unused.

Either port 1 or port 3 is used for connecting to the network element that is deployed on the subscriber side of the *SCE 2000* while port 2 or port 4 is used for connecting to the network element that is deployed on the network side of the *SCE 2000*.

Inline topology requires both Receive and Transmit fibers

Single Link: Receive-only Topology

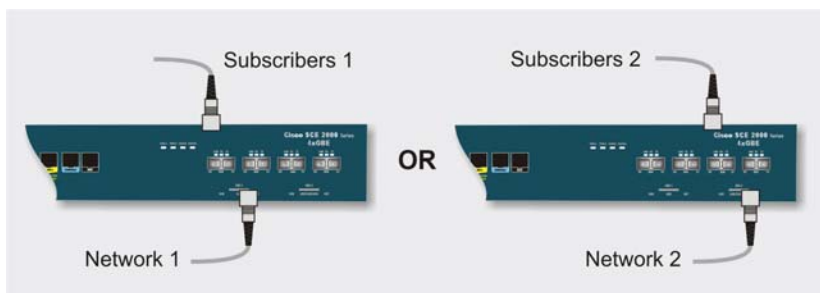
In this topology, an optical splitter resides physically on the GBE link that the *SCE 2000* should monitor. The optical splitter is connected to the *SCE 2000* via Rx links only.

In this topology, the traffic passes through the optical splitter, which splits traffic to the *SCE 2000*.



Note Receive-only topologies can also be implemented using a switch. Such a switch must support SPAN functionality that includes separation between ingress and egress traffic and multiple SPAN-ports destinations.

Figure 15: Cabling Diagram for Single SCE 2000 Single Link Receive-only Topology



The single link receive-only topology cabling is similar to that for single link inline, in that either the first GBE link (first two ports) or the second GBE link (third and fourth ports) can be used, as illustrated in the diagram above. The remaining pair of ports is unused.

Either port 1 or port 3 is used for connecting to the network element that is deployed on the subscriber side of the *SCE 2000* while port 2 or port 4 is used for connecting to the network element that is deployed on the network side of the *SCE 2000*.

Dual Link: Single SCE 2000 Topologies

In this topology, one *SCE 2000* is connected to two full duplex, GBE links. The *SCE 2000* may be either inline, to support both monitoring and traffic control functionality, or receive-only for traffic monitoring functionality only.

When one *SCE 2000* supports two links, the first two ports are connected to one link, while ports 3 and 4 are connected to the second link as follows;

- Port 1: Link 1, Subscriber side
- Port 2: Link 1, Network side
- Port 3: Link 2, Subscriber side
- Port 4: Link 2, Network side

As with the single link cabling, inline topologies require both Receive and Transmit fibers, while Receive-only systems use only Receive fibers.



Note Receive-only topologies can be implemented using either an optical splitter or a switch. If a switch is used, it must support SPAN functionality that includes separation between ingress and egress traffic and multiple SPAN-ports destinations.

The following two diagrams illustrate the connections for dual links, with a single *SCE 2000* deployed for both inline and receive-only topologies.

Figure 16: Cabling Diagram: Dual Link One SCE 2000 Inline

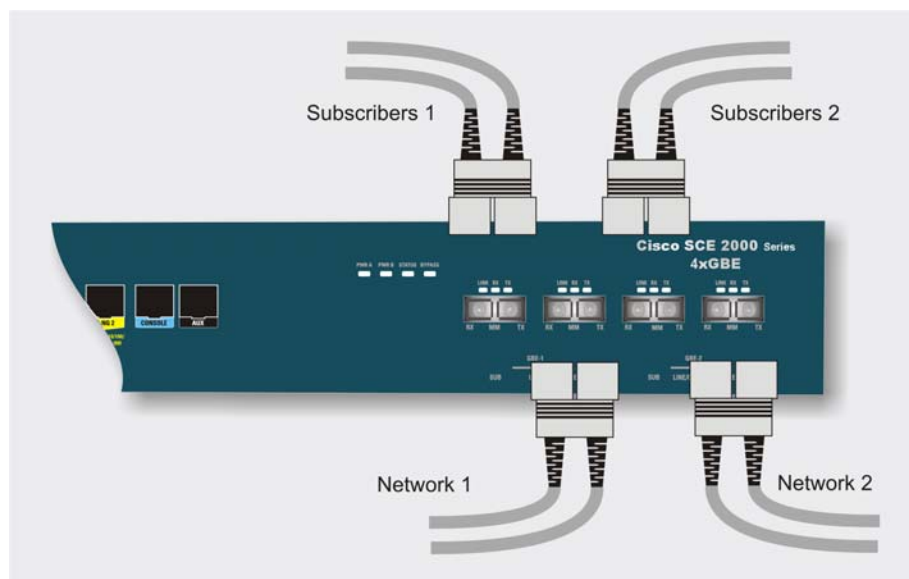
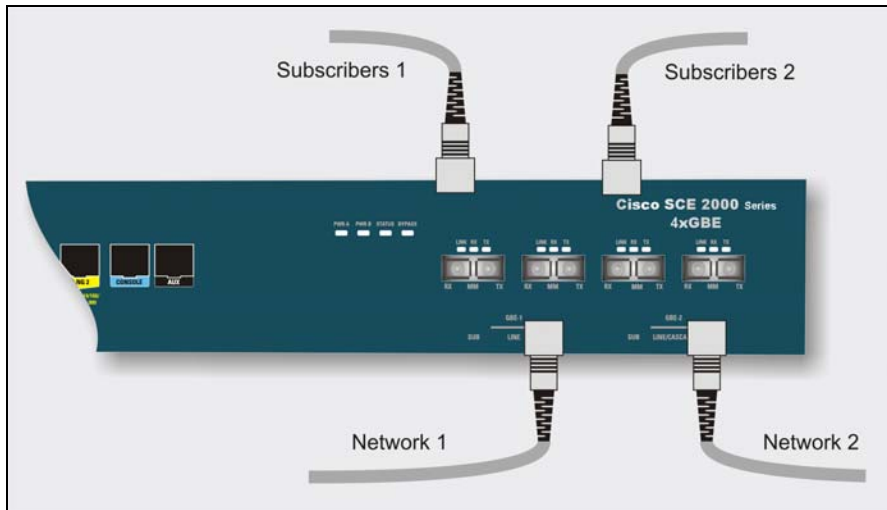


Figure 17: Cabling Diagram: Dual Link One SCE 2000 Receive-only



Dual Link: Two SCE 2000s Topology

In this topology, two *SCE 2000s* are connected to two full duplex, GBE links, providing full redundancy through cascading the two *SCE 2000s*. The *SCE 2000s* may be either inline, to support both monitoring and traffic control functionality, or receive-only for traffic monitoring functionality only.



Note When installing a cascaded system, it is extremely important to follow the sequence of procedures outlined in the section Installing a Cascaded System.



Note Receive-only topologies can be implemented using either an optical splitter or a switch. If a switch is used, it must support SPAN functionality that includes separation between ingress and egress traffic and multiple SPAN-ports destinations.

When two *SCE 2000s* are used, the first two ports in each *SCE 2000* are connected to the links, while ports 3 and 4 are the cascade ports that are used for communicating between the two *SCE 2000s* as follows:

SCE 2000#1

- Port 1: Link 1, Subscribers side
- Port 2: Link 1, Network side
- Port 3: Cascade, connect to Port 4 in *SCE 2000 #2*
- Port 4: Cascade, connect to Port 3 in *SCE 2000 #2*

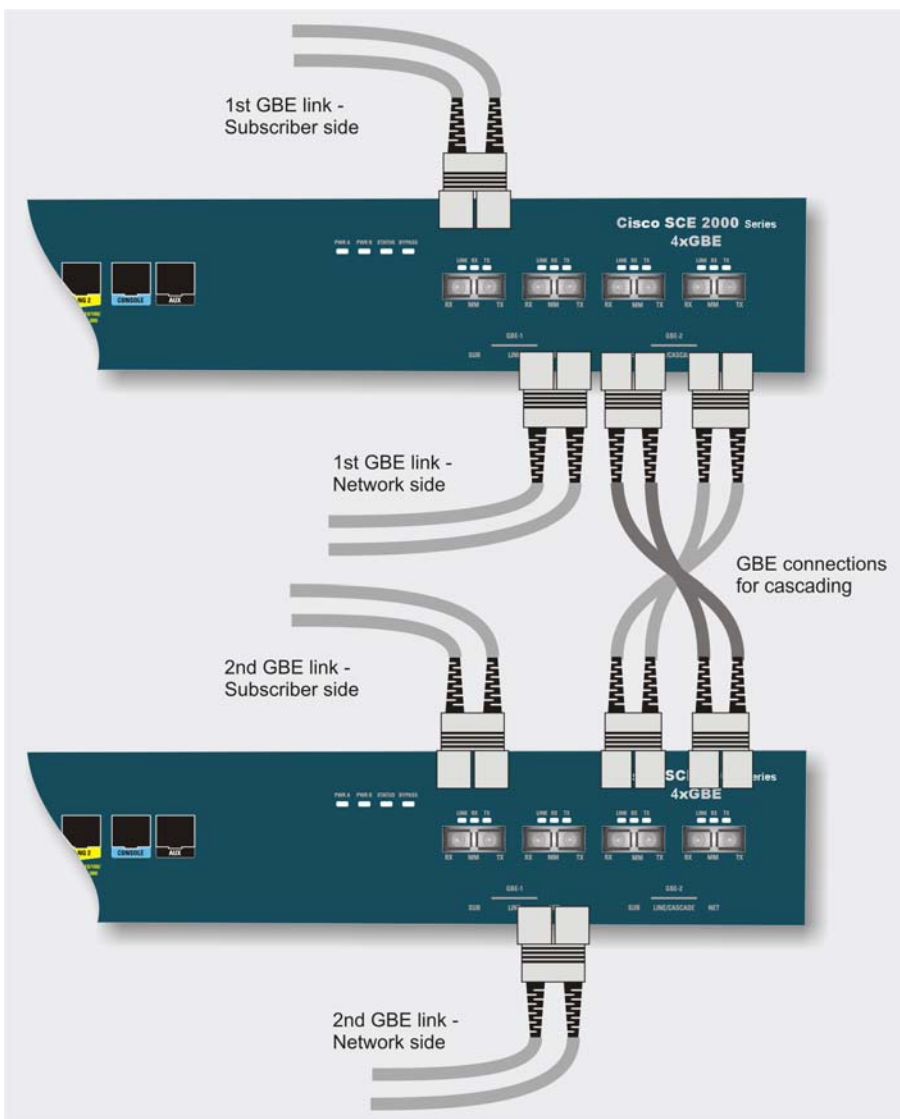
SCE 2000#2

- Port 1: Link 2, Subscriber side
- Port 2: Link 2, Network side
- Port 3: Cascade, connect to Port 4 in *SCE 2000 #1*
- Port 4: Cascade, connect to Port 3 in *SCE 2000 #1*

Inline topologies require connecting both Receive and Transmit fibers to the *SCE 2000*. Cascade ports always require both Receive and Transmit fibers to be connected.

The following diagram illustrates the connections for a dual link, two *SCE 2000*-platform inline topology.

Figure 18: Cabling Diagram: Dual Link Inline Topology Two Cascaded SCE 2000s



Configure GigabitEthernet Auto-Negotiation

By default, the *SCE 2000* GBE line interface ports are configured with auto-negotiation disabled.



Note Auto-negotiation must be disabled when the *SCE 2000* is deployed via an external optical splitter (receive-only topology)



Note If you change any parameters, you must save the new configuration settings. Type **copy running-config startup-config**, and press **Enter**

Step 1 To enter the Global Configuration Mode, at the *SCE 2000*# prompt, type **configure**, and press **Enter**.

The *SCE 2000*(config)# prompt appears.

Step 2 To enter the desired GBE port interface, type **interface GigabitEthernet 0/portnumber**, and press **Enter**, where *portnumber* is the number of the selected port (1-4).

The *SCE 2000*(config if)# prompt appears.

Step 3 Type **auto-negotiate** and press **Enter**.

The *SCE 2000*(config if)# prompt appears.

Step 4 To return to Global Configuration Mode, type **exit** and press **Enter**.

The *SCE 2000*(config)# prompt appears.

Repeat this procedure to configure auto-negotiation for the other GBE port interfaces as needed.

Connect the GBE Line Interface Ports

Figure 19: Cabling the GBE Interface



Refer to *Cabling Diagrams* (on page 43) to find the appropriate cabling diagram for the topology of your system for the specific connections required.

The following table presents the fiber specifications. The *SCE 2000* may be ordered with either Multimode or Single Mode transceivers. The transceiver type is indicated on the front panel under the ports. Note that both transceivers on any individual *SCE 2000* are the same, either 850nm Multimode OR 1310 Single Mode.

Table 6-1 Fiber Specifications

SCE Model	Transceiver	Transmit Power	Receive Power	Typical (Max.) Distance
SCE 2000 4xGBE MM	850nm Multimode	-9.5 to -4 dBm	-17 to 0 dBm	<ul style="list-style-type: none"> • 750m for 50µm Core Diameter MMF • 400m for 62.5µm Core Diameter MMF
SCE 2000 4xGBE SM	1310nm FRP laser Single Mode	-9.5 to -3 dBm	-20 to 3 dBm	10 km for 9.0µm Core Diameter SMF

Step 1 Plug the specified fiber optic cable (see Fiber Specifications) into the appropriate GBE port on the front panel of the *SCE 2000*.

Step 2 Verify that the link LED is green.

If the link LED does not light, try removing the network cable plug and reinserting it firmly into the module socket.

7 Completing the Installation

This section discusses how to verify link connectivity and how to install a Service Control application.

Examining the LEDs

The GBE Link LED must be green in order to verify that an active connection exists.

The GBE Rx and Tx LEDs (if flashing green) indicate that traffic is being received or transmitted by the *SCE 2000*, respectively.

Note that in an inline topology, the Rx and Tx LEDs indicate that packets are being received/transmitted by the *SCE 2000*.

In optical splitter topologies, the Rx LEDs are the sole indicators. The Tx LEDs do not “blink”, since the Tx is not connected to the port in this topology.

Final Tests

The procedures for performing the final tests to verify that the *SCE 2000* is functioning properly are explained in the following sections:

- *Verifying Operational Status* (on page 51)
- *Viewing the User Log* ("[Viewing the User Log Counters](#)" on page 52)

Verifying Operational Status

After all the ports are connected, verify that the *SCE 2000* is not in a Warning state.

To verify that the *SCE 2000* is not in a warning state, complete the following steps:

Step 1 On the *SCE 2000* Front panel, examine that the Status LED is flashing green.

Step 2 To display the operation status of the system, at the *SCE 2000*# prompt, type **show system operation-status** and press **Enter**.

A message displaying the operation status of the system appears. If the system is operating in order, the following message appears:

```
System Operation status is Operational.
```

EXAMPLE:

The following example displays a sample output where the LEDs appear red/orange:

```
SCE 2000#show system operation-status  
System Operation status is Operational
```

Viewing the User Log Counters

View the user log for errors that occurred during the installation process.

To display the user log device counters, complete the following steps:

Step 1 At the *SCE 2000*# prompt, type **show logger device User-File-Log counters** and press **Enter**.

EXAMPLE:

The following example shows the current User-File-Log device counters.

```
SCE 2000#show logger device user-file-log counters
Logger device User-File-Log counters:
Total info messages: 1
Total warning messages: 0
Total error messages: 0
Total fatal messages: 0
```

If there are “Total error messages” or “Total fatal messages”, use the **show logger device User-File-Log** command to display details about the errors.

Viewing Configuration

When you enter configuration commands, it immediately effects the *SCE 2000* platform operation and configuration. This configuration, referred to as the *running-config*, is saved in the *SCE 2000* platform volatile memory and is effective while the *SCE 2000* platform is up. After reboot, the *SCE 2000* platform loads the *startup-config*, which includes the non-default configuration as saved by the user, into the *running-config*.

The *SCE 2000* platform provides commands for:

- Viewing the running configuration
- Viewing the startup configuration

After configuring the *SCE 2000* platform, you may query for the running configuration using the command **show running-config**. This command displays the non-default running configuration. To view the complete *SCE 2000* platform running configuration, including both default and user-configured configuration, you may use the option **all-data** in the **show running-config** command.

To view the running configuration, complete the following steps:

Step 1 At the *SCE 2000*# prompt, type **show running-config**.

The system shows the running configuration.

```
SCE 2000#show running-config
#This is a general configuration file (running-config).
#Created on 15:50:56 CET MON February 11 2002
#cli-type 1
#version 1

clock timezone CET 1
snmp-server community "public" ro
snmp-server host 10.1.1.253 traps version 1 "public"
interface LineCard 0
connection-mode active
no silent
no shutdown
flow-aging default-timeout UDP 60
interface FastEthernet 0/0
ip address 10.1.5.109 255.255.0.0
interface FastEthernet 0/1
interface FastEthernet 0/2
exit
line vty 0 4
no timeout
exit
SCE 2000#
```

One of the useful show commands is the **show version** command. This command displays global static information on the *SCE 2000* platform as software and hardware version, image build time, system uptime, last open packages names and information on the SLI application assigned.

To show the version information for the *SCE 2000* platform software and hardware, complete the following steps:

Step 1 At the *SCE 2000*# prompt, type **show version**.

The system shows the version information.

SCE 2000#show version

System version: Version 2.5.2 Build 240

Build time: Jan 11 2005, 07:34:47

Software version is: Version 2.5.2 Build 240

Hardware information is:

rx : 0x0075

dp : 0x1808

tx : 0x1708

ff : 0x0077

cls : 0x1721

cpld : 0x0025

Lic : 0x0176

rev : G001

Bootrom : 2.1.0

L2 cache : Samsung 0.5

lic type : MFE

optic mode :

Part number: 53AA-BXC1-AAAA

Revision: A02A

Software revision: G001

Serial number: 043P6982

Power Supply type: AC

SML Application information is:

Application file: /tffs0/temp.sli

Application name:

Application help:

Original source file: H:\work\Emb\jrt\V2.5\sml\actions\drop\drop_basic_anyflow.san

Compilation date: Wed, September 22, 2004 at 21:25:21

Compiler version: SANc v2.50 Build 32 gcc_codelets=true built on: Tue September 22 2004

09:51:57 AM.;SME plugin v1.1

Default capacity option used.

Logger status: Enabled

Platform: SCE 2000 - 4xFE

Management agent interface version: SCE Agent 2.5.1 Build 18

Software package file: ftp://vk:vk@10.1.8.22/P:/EMB/LatestVersion/2.5.2/se1000.pkg

SCE 2000 uptime is 21 minutes, 37 seconds

SCE 2000#

Another useful show commands is the **show system-uptime** command. This command displays information similar to the last line above, which indicates how long the system has been running since the last reboot.

To show the **s**ystem uptime for the *SCE 2000* platform software and hardware, complete the following steps:

Step 1 At the *SCE 2000*# prompt, type **show system-uptime**.

The system shows how long the system has been running since the last reboot.

```
SCE 2000#show system-uptime
SCE 2000 uptime is 21 minutes, 37 seconds
SCE 2000#
```

Saving the Configuration Settings

When you make changes to the current running configuration and you want those changes to continue to be valid when the system restarts, you must save the changes before leaving the management session, that is, you must save the running configuration to the startup configuration file.

As mentioned before, *SCE 2000* platform provides multiple interfaces for the purpose of configuration and management. All interfaces supply an API to the same database of the *SCE 2000* platform and any configuration made through one interface is reflected through all interfaces. Furthermore, when saving the running configuration to the startup configuration from any management interface, all configuration settings are saved regardless of the management interface used to set the configuration.

To save configuration changes, complete the following steps:

Step 1 At the *SCE 2000*# prompt, type **show running-config** to view the running configuration.

The running configuration is displayed.

Step 2 Check the displayed configuration to make sure that it is set the way you want. If not, make the changes you want before saving.

Step 3 Type **copy running-config startup-config**.

The system saves all running configuration information to the configuration file, which is used when the system reboots.

The configuration file holds all information that is different from the system default in a file called config.txt located in the directory: tffs0:system.

EXAMPLE:

The following example shows the running configuration file.

```
SCE 2000#show running-config
#This is a general configuration file (running-config).
#Created on 15:50:56 CET MON February 11 2002
#cli-type 1
#version 1

clock timezone CET 1
snmp-server community "public" ro
snmp-server host 10.1.1.253 traps version 1 "public"
interface LineCard 0
connection-mode active
no silent
no shutdown
flow-aging default-timeout UDP 60
interface FastEthernet 0/0
ip address 10.1.5.109 255.255.0.0
interface FastEthernet 0/1

interface FastEthernet 0/2

exit
line vty 0 4
no timeout
exit
SCE 2000#
SCE 2000#copy running-config startup-config
Writing general configuration file to temporary location...
Backing-up general configuration file...
Copy temporary file to final location...
SCE 2000#
```

For backup purposes, the old startup-config file is saved under the directory: `tffs0:system/prevconf`. Refer to [Recovering a Previous Configuration](#) for an explanation on how to recover previous configuration.

To remove a configuration command from the running-config, use the no form of the command.

EXAMPLE:

The following example illustrates how to remove all DNS settings from the running configuration.

```
SCE 2000(config)#no ip name-server
SCE 2000(config)#
```

Performing Complex Configurations

After you have installed your *SCE 2000* platform hardware, checked all external connections, turned on the system power, allowed the system to boot up, and performed the initial system configuration, you might need to perform more complex configurations, which are beyond the scope of this publication.

For further information on system and interface configuration, refer to the following documents:

- *Cisco Service Control Engine (SCE) Software Configuration Guide*
- *Cisco Service Control Engine (SCE) CLI Command Reference*

Loading and Activating a Service Control Application

The *SCE 2000* platform provides the basic functionalities of Service Control analysis and enforcement. A Service Control solution requires that a Service Control application be loaded into the platform, to take advantage of the unique SCE platform capabilities.

Loading and activating an application includes the following stages:

- Downloading the application provided as an SLI file to the *SCE 2000* disk.
- Activating the *SCE 2000* application.
- Configuring the *SCE 2000* application.

The detailed procedure of how to perform these operations is not specified and described in this manual. For further details, refer to the relevant Service Control application user guide or installation guide.

8 Installing a Cascaded System

This section outlines the installation procedures for a redundant solution with two cascaded *SCE 2000s*. For more complete information, refer to the *Cisco Service Control Engine (SCE) Software Configuration Guide*. Refer to the *Cisco Service Control Engine (SCE) CLI Command Reference* for details of the CLI commands.



Warning

When working with two *SCE 2000s* with split-flow and redundancy, it is extremely important to follow this installation procedure.

To install a cascaded system, complete the following steps:

-
- Step 1** Install both *SCE 2000s*, power them up, and perform the initial system *configuration*. (See *Connect the Power Supply Units* (on page 13) and *Connect the Local Console* (on page 18).)
 - Step 2** Connect both *SCE 2000s* to the management station.(See *Connect the Management Interface* (on page 41))
 - Step 3** Connect the cascade ports. (See *Dual Link: Two SCE 2000s Topology* (on page 46).)
 - Step 4** Set topology configurations for each *SCE 2000* via the connection-mode *options*. (See *Topology-Related Parameters for Redundant Topologies* (on page 59) and *Configuring the Connection Mode* (on page 59).)
 - Step 5** Make sure that the *SCE 2000* platforms have synchronized and active *SCE 2000* was selected.
Use the `show interface linecard 0 connection-mode` command.
 - Step 6** If you want to start with bypass/sniffing, change the link mode to your required mode in both *SCE 2000s* on both links. The bypass mode will be applied only to the active *SCE 2000*. (See *Link Mode* (on page 60).)
 - Step 7** Make sure that the link mode is as you required.
Use the `show interface linecard 0 link mode` command.
 - Step 8** Connect the traffic port of *SCE 2000* #1. This will cause a momentary down time until the network elements from both sides of the *SCE 2000* auto-negotiate with it and start working (when working inline). (See *Dual Link: Two SCE 2000s Topology* (on page 46).)
 - Step 9** Connect the traffic port of *SCE 2000* #2, this will cause a momentary down time until the network elements from both sides of the *SCE 2000* auto-negotiate with it and start working (when working inline). (See *Dual Link: Two SCE 2000s Topology* (on page 46).)
 - Step 10** When full control is needed, change the link mode on both *SCE 2000s* on both links to ‘forwarding’. It is recommended to first configure the active *SCE 2000* and then the standby. (See *Link Mode* (on page 60).)
 - Step 11** You can now start working with the Subscriber Manager.
-

CLI Commands

This section presents CLI commands relevant to the configuration and monitoring of a redundant system.

Use the following commands to configure and monitor a redundant system:

- `connection-mode`
- `[no] force failure-condition`
- `Show interface linecard 'number' connection-mode`
- `Show interface linecard 'number' physically-connected-links`

Topology-Related Parameters for Redundant Topologies

All four of the topology-related parameters are required when configuring a redundant topology.

- **Connection mode:** Redundancy is achieved by cascading two *SCE 2000* platforms. Therefore the connection mode for both *SCE 2000* platforms may be either:
 - Inline-cascade
 - Receive-only-cascade
- **Physically-connected-links:** For each of the cascaded *SCE 2000* platforms, this parameter defines the number of the link (Link 0 or Link 1) connected to this *SCE 2000* platform.
- **Priority:** For each of the cascaded *SCE 2000* platforms, this parameter defines whether it is the primary or secondary device.
- **On-failure:** For each of the cascaded *SCE 2000* platforms, this parameter determines whether the system cuts the traffic or bypasses it when the *SCE 2000* platform either has failed or is booting.

Configuring the Connection Mode

Use the following command to configure the connection mode, including the following parameters:

- `inline/receive only`
- `physically connected links`
- `behavior upon failure of the SCE 2000 platform`
- `primary/secondary`

To configure the connection mode:

Step 1 From the *SCE 2000* `(config if)#` prompt, type `connection-mode inline-cascade/receive-only-cascade [physically-connected-links {link-0/link-1}] [priority {primary/secondary}] [on-failure {bypass/cutoff}]` and press **Enter**.

EXAMPLE 1

Use the following command to configure the primary *SCE 2000* platform in a two-*SCE 2000* platform inline topology. Link 1 is connected to this *SCE 2000* platform and the behavior of the *SCE 2000* platform if a failure occurs is *bypass*.

```
SCE 2000(config if)# connection-mode inline-cascade physically-connected-links link-1
priority primary on-failure bypass
```

EXAMPLE 2

Use the following command to configure the *SCE 2000* platform that might be cascaded with the *SCE 2000* platform in Example 1. This *SCE 2000* platform would have to be the secondary *SCE 2000* platform, and Link 0 would be connected to this *SCE 2000* platform, since Link 1 was connected to the primary. The connection mode would be the same as the first, and the behavior of the *SCE 2000* platform if a failure occurs is also *bypass*.

```
SCE 2000(config if)# connection-mode inline-cascade physically-connected-links link-0
priority secondary on-failure bypass
```

Link Mode

The *SCE 2000* platform has an internal hardware card used to maintain the links even when the *SCE 2000* platform fails. This hardware card has four possible modes of operation:

- *bypass*
- *forwarding*
- *cutoff*
- *sniffing*

Normally, the link mode is selected by the *SCE 2000* platform software according to the configured connection-mode. However, the **link-mode** command can be used to enforce a specific desired mode. This may be useful when debugging the network, or in cases where we would like the *SCE 2000* platform just to forward the traffic. (Note that this is only relevant to inline topologies even though the configuration is available also when in receive-only mode.)

The following link mode options are available:

- **Forwarding:** forwards traffic on the specified link to the *SCE 2000* platform for processing.
- **Bypass:** stops all forwarding of traffic on the specified link to the *SCE 2000* platform. Traffic still flows on the link, but is not processed in any way by the *SCE 2000* platform.

This does not affect the redundancy states.

- **Sniffing:** allows the *SCE 2000* platform to forward traffic on the specified link through the bypass mechanism while still analyzing the traffic passively.
- **Cutoff:** completely cuts off flow of traffic through the specified link.

Note the following recommendations and restrictions:

- It is recommended that both links be configured together. Use the all-links option.
- Link mode is relevant only to inline topologies.
- It is recommended that in cascaded topologies, both *SCE 2000* platforms be configured for the same link mode, otherwise the service will be unpredictable.
- Sniffing can only be configured for all links, therefore, to configure sniffing, the all-links option is required, not just recommended.
- The default link mode is forwarding. When other link modes are selected, active service control is not available and any service control configuration will not be applicable.

To set the link mode:

Step 1 From the *SCE 2000* (config if)# prompt, type **link-mode** [*GBE1-GBE2/GBE3-GBE/ all-links*] [*forwarding/bypass/sniffing/cutoff*] and press **Enter**.

Monitoring the System

Use the following commands to view the current connection mode and link mode parameters.

To view the current connection mode:

Step 1 From the *SCE 2000*# prompt, type **show interface linecard 0 connection-mode** and press Enter.

To view the current link mode:

Step 1 From the *SCE 2000*# prompt, type **show interface linecard 0 link mode** and press Enter.

To view the current link mappings:

Step 1 From the *SCE 2000*# prompt, type **show interface linecard 0 physically-connected-links** and press Enter.

9 Troubleshoot Startup Problems

SCE 2000 Operational Status

The following table lists the operational states of the *SCE 2000*. The Status LED on the *SCE 2000* Front Panel reflects the current *SCE 2000* operational status. The operational status can be displayed using CLI command **show system operation-status**.

Table 9-1 SCE 2000 Operational States

<i>SCE 2000</i> Operational Status	Description	Status LED State
Booting	Initial state after reset	Orange
Operational	<p><i>SCE 2000</i> becomes operational after completing the following process:</p> <ul style="list-style-type: none"> • Boot is completed • Power self-tests are completed without failure • Platform configuration is applied 	Flashing green
Warning	<p><i>SCE 2000</i> is fully operational (as above) but one of the following occurred:</p> <ul style="list-style-type: none"> • Line ports (GBE ports) to the link are down • Management port link is down • Temperature raised above threshold • Voltage not in required range • Fans problem • Power supply problem • Insufficient space on the disk <p>Note: If the condition that caused the <i>SCE 2000</i> to be in Warning state is resolved (for example, link is up) the <i>SCE 2000</i> reverts to Operational state.</p>	Flashing orange
Failure	<p>System is in Failure state after Boot due to one of the following conditions:</p> <ul style="list-style-type: none"> • Power on test failure. • Three abnormal reboots in less than 20 minutes • Platform configured to enter Failure mode consequent to failure-induced reboot (this is configurable using CLI command). <p>Note: Depending on the cause of failure, the management interface and the platform configuration may or may not be active/available.</p>	Red

Identifying Startup Problems

Startup problems are commonly due to the source power or to a poor cable connection.

When you start up the *SCE 2000* platform for the first time, you should observe the startup sequence described in the Starting the *SCE 2000* Platform. This section contains a more detailed description of the normal startup sequence and describes the steps to take if the system does not perform that sequence as expected. LEDs indicate all system states in the startup sequence. By checking the state of the LEDs, you can determine when and where the system failed in the startup sequence. Use the following descriptions to isolate the problem to a subsystem, and then proceed to the appropriate sections to try to resolve the problem.

When you start up the system by turning on the power supply switch, the following should occur:

- You should immediately hear the fans operating.
- When all LEDs come on to indicate that the system has booted successfully, the initial system banner should be displayed on the console screen. If it is not displayed, see Connecting the Local Console to verify that the terminal is set correctly and that it is properly connected to the console port.
- If the banner is displayed, but the Status LED is flashing orange, indicating a warning state, check the user log:

At the prompt, type: **more user log**

If any of the following warning messages appear, turn the *SCE 2000* platform off and call technical support.

- "voltage problem:"
- "fans problem"
- "abnormal raise in interior temperature:"

If the following warning message appears, delete unneeded files from the disk.

- "insufficient disk space:"

CLI Commands for Troubleshooting

Use the following commands to provide information to help you troubleshoot installation of your *SCE 2000* platform. Refer to *Cisco Service Control Engine (SCE) Software Configuration Guide* or the *Cisco Service Control Engine (SCE) CLI Command Reference* for more information.



Note Remember that if the management interface is not operational, you should connect the *SCE 2000* platform to a local console so that you can enter CLI commands for troubleshooting.

- **Troubleshooting firmware package installation:**

- **Boot system <filename>:** Specifies and verifies the package file to be installed. Error messages or other output identify problems with the package file.

Following is a sample output from the **Boot system** command.

```
SCE 2000(config)#boot system ftp://vk:vk@10.1.1.230/downloads/SENum.pkg.pkg
Verifying package file SENum.pkg.pkg...
Package file verified OK.
```

- **Troubleshooting the management subsystem:**

- **show interface FastEthernet 0/0:** Displays IP address and auto-negotiation information for the management interface.

Following is a sample output from the show interface **FastEthernet** command.

```
ip address: 10.1.6.145
subnet mask: 255.255.0.0
Configured speed: auto, configured duplex: auto
AutoNegotiation is On, link is Up, actual speed: 100, actual duplex: half
```

- **show ip default-gateway:** Displays the IP address of the configured default gateway.

Following is a sample output from the show ip default-gateway command.

```
Default gateway: 10.1.1.1
```

- **show ip route:** Displays the entire routing table and the destination of last resort (default-gateway).

Following is a sample output from the show ip route command.

```
gateway of last resort is 10.1.1.1
```

- **show access-lists:** Shows all access-lists or a specific access list.

Following is a sample output from the show access-lists command.

```
Standard IP access list 1
  Permit 10.1.1.0, wildcard bits 0.0.0.255
  deny any
```

- **show telnet:** Displays the status of the telnet server daemon (**status**) or any active Telnet sessions (**sessions**).

Following is a sample output from the show telnet command.

```
show telnet sessions
There is 1 active telnet session:
```

```
Index | Source
=====
0     | 10.1.1.201
```

```
show telnet status
Telnet daemon is enabled.
```

- **show line vty timeout:** Shows the timeout configured for Telnet sessions.

Following is a sample output from the show line vty timeout command.

```
Timeout is 30 minutes
```

- **Troubleshooting the link interface subsystem:**

- **show interface GigabitEthernet 0/#:** Displays information for a specific GBE Interface.

Following is a sample output from the show interface command.

```
ip address: 10.1.6.145
subnet mask: 255.255.0.0
Configured duplex: auto
AutoNegotiation is On, link is Up, actual duplex: half
```

- **show interface GigabitEthernet 0/# counters:** Displays the values of counters of a GBE interface.

Following is a sample output from the show interface **counters** command.


```
In total octets: 191520
In good unicast packets: 560
In good multicast packets: 0
In good broadcast packets: 0
In packets discarded: 0
In packets with CRC/Alignment error: 0
In undersized packets: 0
In oversized packets: 0
Out total octets: 0
Out unicast packets: 0
Out non unicast packets: 0
Out packets discarded: 0
```

Refer to The User Log for an explanation of commands related to the user log.

10 Obtain Technical Assistance

For all customers, partners, resellers, and distributors who hold valid Cisco service contracts, the Cisco Technical Assistance Center (TAC) provides 24-hour-a-day, award-winning technical support services, online and over the phone. *Cisco.com* <http://www.cisco.com> features the Cisco TAC website as an online starting point for technical assistance. If you do not hold a valid Cisco service contract, please contact your reseller.

Cisco Technical Support Website

The *Cisco TAC website* (<http://www.cisco.com/tac>) provides online documents and tools for troubleshooting and resolving technical issues with Cisco products and technologies. The Cisco TAC website is available 24 hours a day, 365 days a year.

Accessing all the tools on the Cisco TAC website requires a Cisco.com user ID and password. If you have a valid service contract but do not have a login ID or password, register at this *URL* (<http://tools.cisco.com/RPF/register/register.do>).

Submitting a Service Request

Using the online *TAC Service Request Tool* (<http://www.cisco.com/techsupport/servicerequest>) is the fastest way to open S3 and S4 service requests. (S3 and S4 service requests are those in which your network is minimally impaired or for which you require product information.) After you describe your situation, the TAC Service Request Tool automatically provides recommended solutions. If your issue is not resolved using the recommended resources, your service request will be assigned to a Cisco TAC engineer.

For S1 or S2 service requests or if you do not have Internet access, contact the Cisco TAC by telephone. (S1 or S2 service requests are those in which your production network is down or severely degraded.) Cisco TAC engineers are assigned immediately to S1 and S2 service requests to help keep your business operations running smoothly.

To open a service request by telephone, use one of the following numbers:

Asia-Pacific: +61 2 8446 7411 (Australia: 1 800 805 227)

EMEA: +32 2 704 55 55

USA: 1 800 553-2447

A complete listing of *Cisco TAC contacts* (<http://www.cisco.com/techsupport/contacts>) is available online.

Definitions of Service Request Severity

To ensure that all cases are reported in a standard format, Cisco has established severity definitions.

Severity 1 (S1)—Your network is “down” or there is a critical impact to your business operations. You and Cisco will commit all necessary resources around the clock to resolve the situation.

Severity 2 (S2)—Operation of an existing network is severely degraded, or significant aspects of your business operation are negatively affected by inadequate performance of Cisco products. You and Cisco will commit full-time resources during normal business hours to resolve the situation.

Severity 3 (S3)—Operational performance of your network is impaired, but most business operations remain functional. You and Cisco will commit resources during normal business hours to restore service to satisfactory levels.

Severity 4 (S4)—You require information or assistance with Cisco product capabilities, installation, or configuration. There is little or no effect on your business operations.