

More Images

A dialog box titled "New Cluster - Connectivity Configuration" with a close button (X) in the top right corner. It contains three input fields: "Host name" (empty), "Port" (14141), and "Failover retries" (12). At the bottom are "OK" and "Cancel" buttons.

Host name

Port

Failover retries

210278

A wizard dialog box titled "Create New Database" with a close button (X) in the top right corner. It contains a sub-header "Create new Database" and a description "This wizard creates a new Database." followed by a database cylinder icon. The "Database Creation" section has several fields: "Address" (1.1.1.1), "Name" (Database device), "Database type" (Sybase ASE), "Enable Advanced Settings" (checkbox), "Url" (jdbc:sybase:Tds:1.1.1.1:4100), "Driver" (com.sybase.jdbc2.jdbc.SybDriver), "User" (pqb_admin), and "Password" (pqb_admin). At the bottom are "Finish" and "Cancel" buttons.

Create new Database

This wizard creates a new Database.

Database Creation

Address

Name

Database type

Enable Advanced Settings

Url

Driver

User

Password

210583



Service	Rule State	Description
Default Service	Enabled	controlled, unlimited quota
P2P	Enabled	blocked and redirected
Weekend	Enabled	controlled, quota replenished periodically, blocked aft...
POP3	Enabled	controlled, unlimited quota
IMAP	Enabled	controlled, unlimited quota
SMTP	Disabled	rule of parent service applies
Weekend	Enabled	controlled, unlimited quota

21.05.91

Global Controller Settings

The Total Link limits determine the L1 bandwidth enforced on the entire link, per direction. Global Controllers determine the L1 bandwidth limit enforced on the traffic that flows through them. Global Controllers can enforce either a single bandwidth limit, or separate limits per Time-Frame, which appear as comma separated values.

Allow separate BW setting for each link

Enforce BW limitation on the sum of two links

Upstream

Name	Link 1 BW (%)	Link 2 BW (%)	Aggregated BW (%)
Upstream Total Link Limit	100	100	N/A
Default Global Controller	100	100	N/A

Downstream

Name	Link 1 BW (%)	Link 2 BW (%)	Aggregated BW (%)
Downstream Total Link Limit	100	100	N/A
Default Global Controller	100	100	N/A

OK Cancel

210585

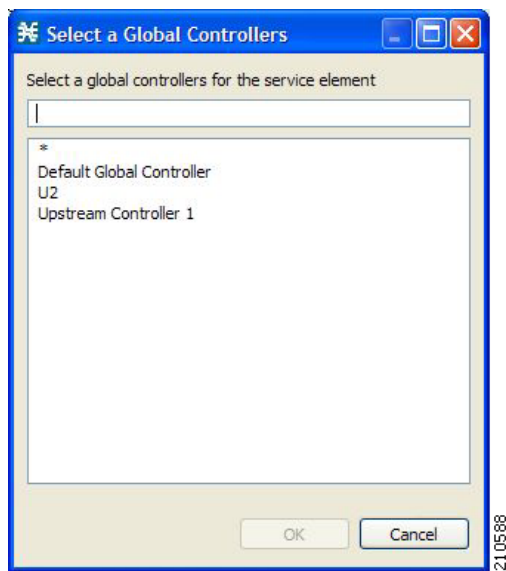
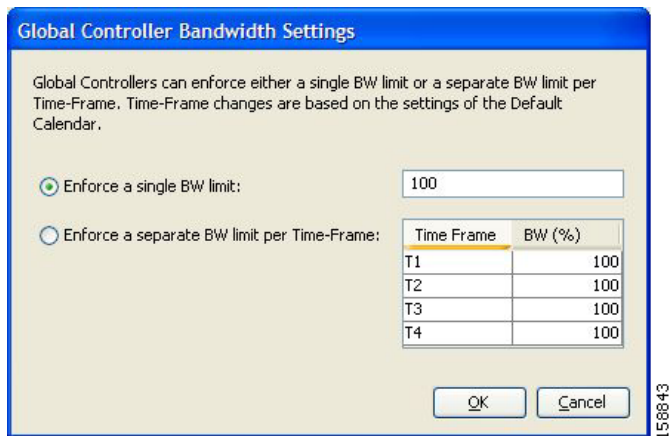
Name	Link 1 BW (%)
Upstream Total Link Limit	100
Default Global Controller	100
Upstream Controller 1	40,60,80,100

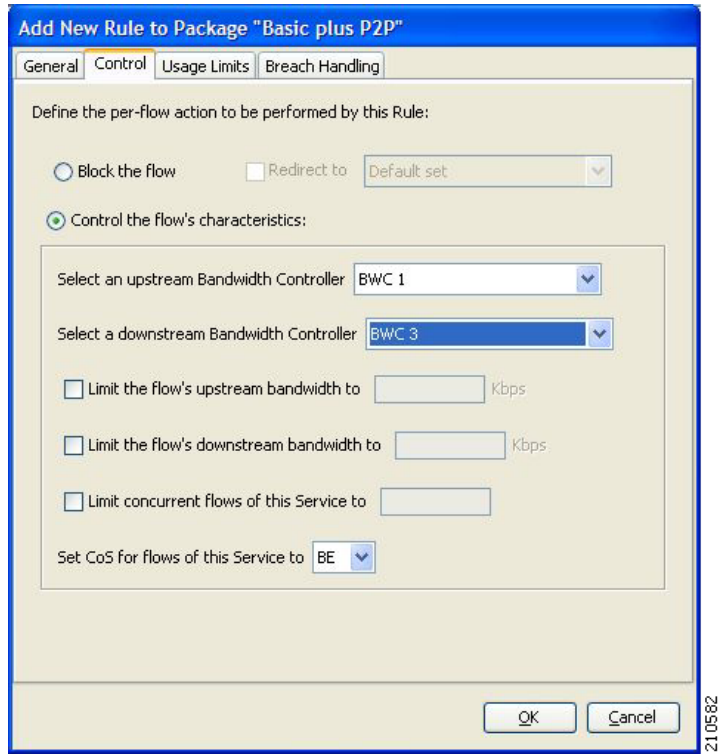
210587

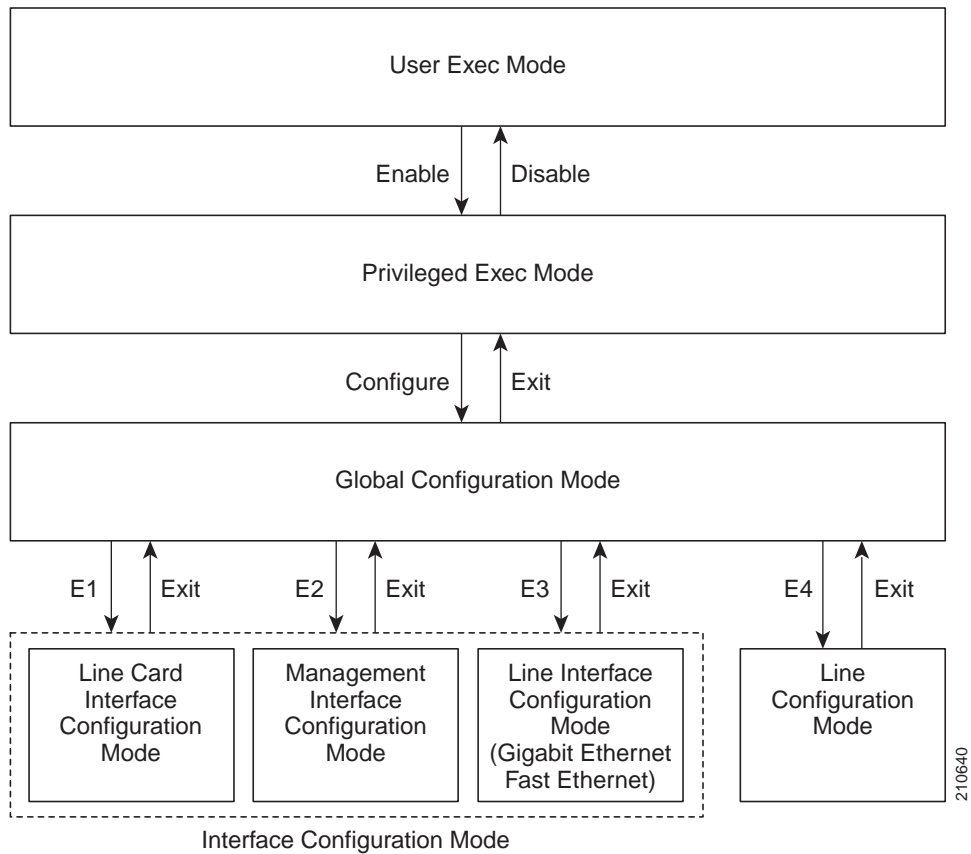
Name	Link 1 BW (%)	Link 2 BW (%)	Aggregated BW (%)
Upstream Total Link Limit	100	100	N/A
Default Global Controller	100	100	N/A
Upstream Controller 1	40,60,80,100	40,60,80,100	N/A

Fast Ethernet = 40Mbps, 60Mbps, 80Mbps, 100Mbps
Gigabit Ethernet = 800Mbps, 1200Mbps, 1600Mbps, 2000Mbps

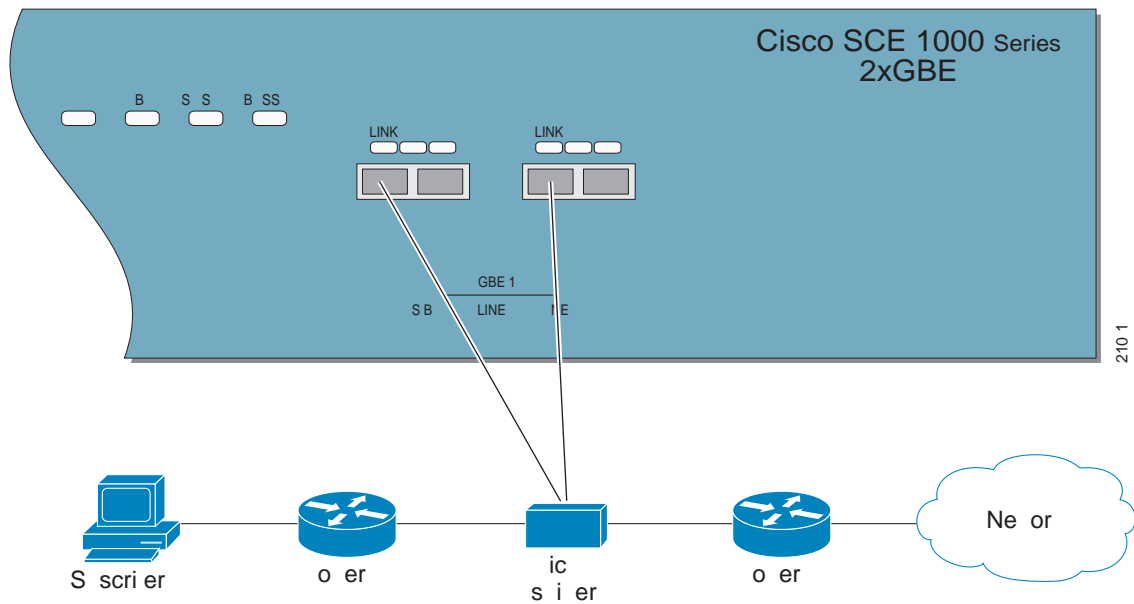
210586



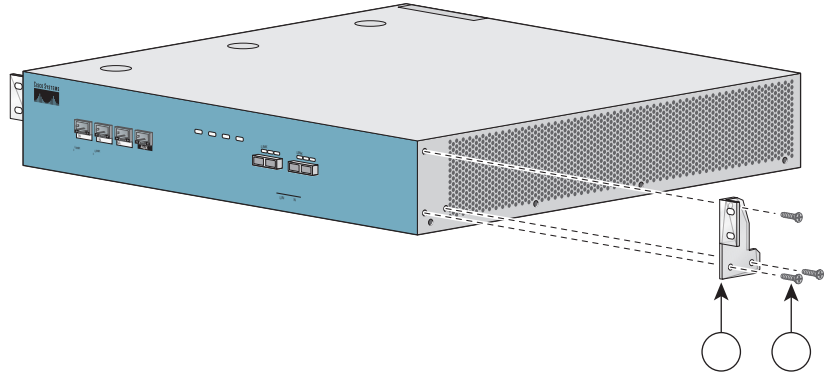




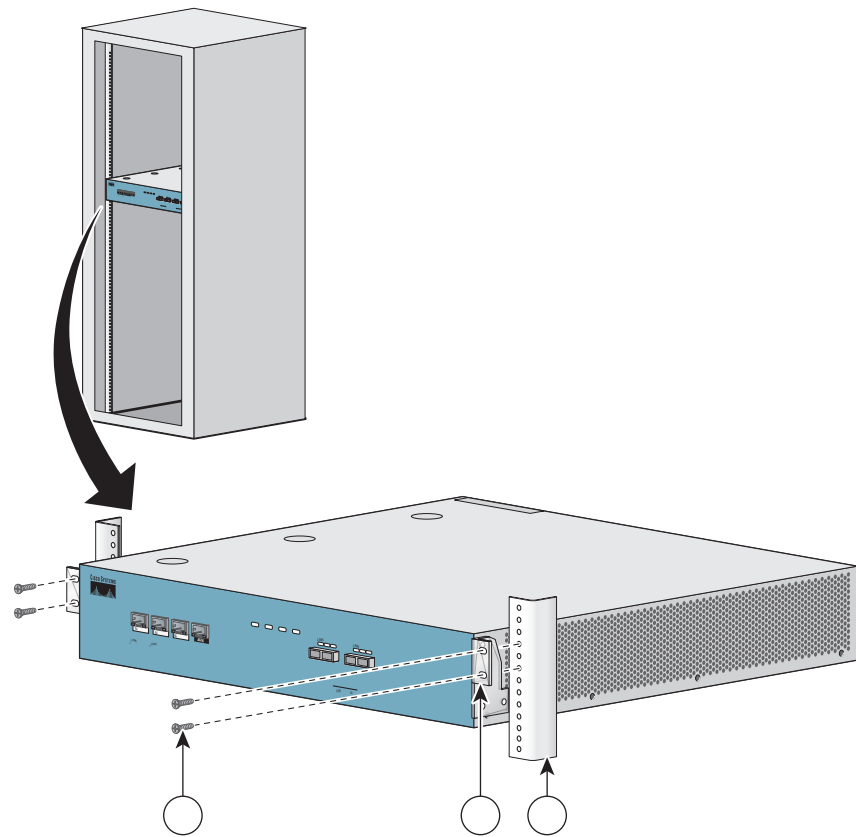
210417.eps



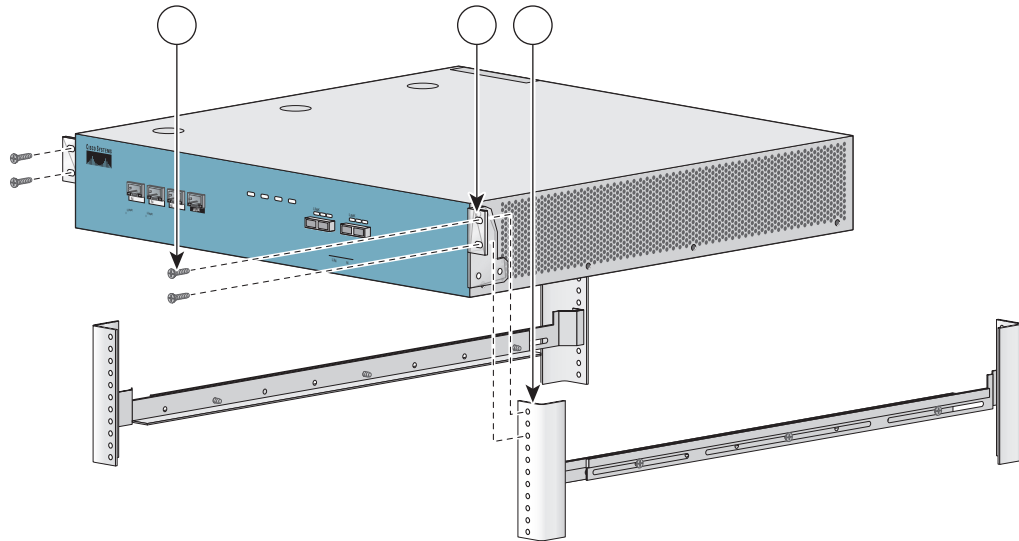
210418.eps



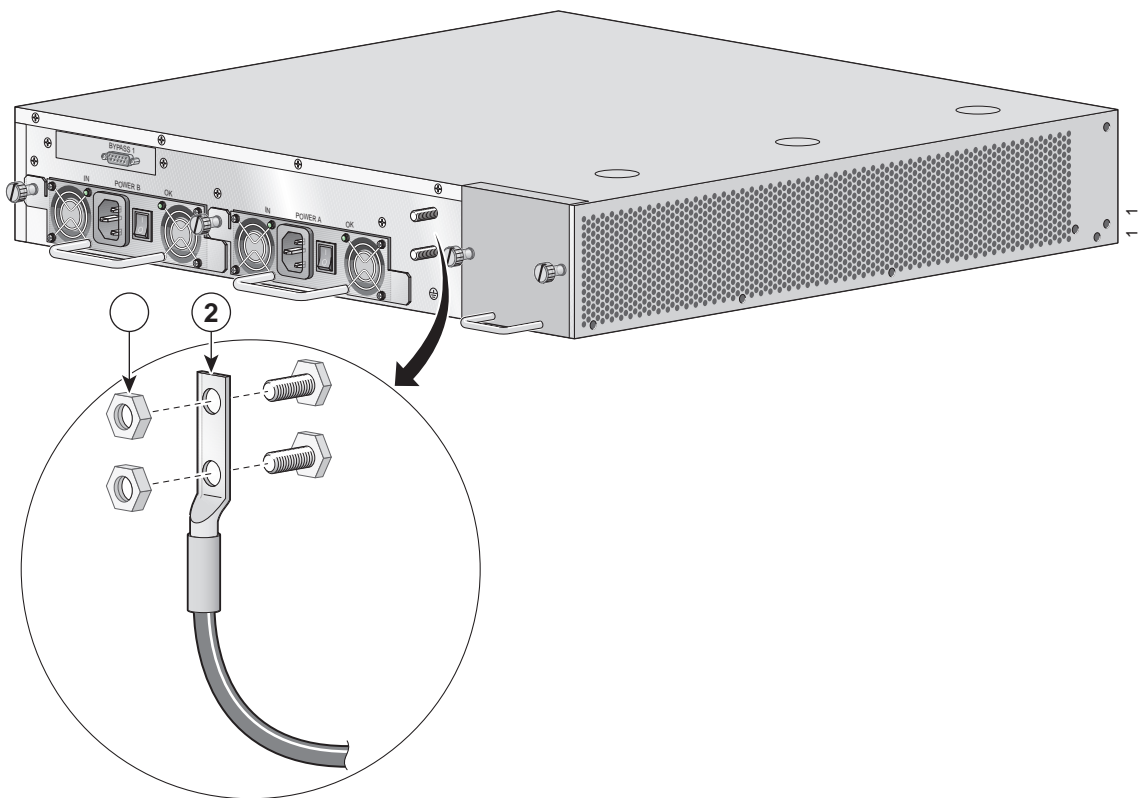
210419.eps



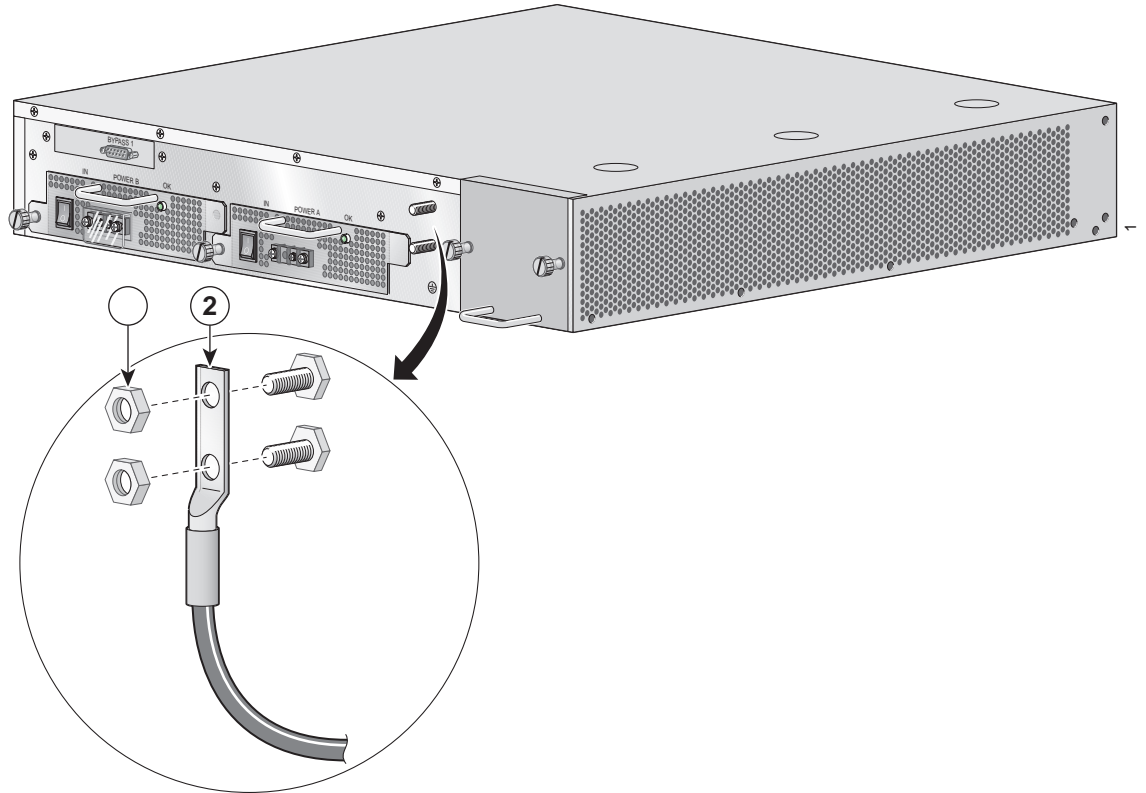
210420.eps



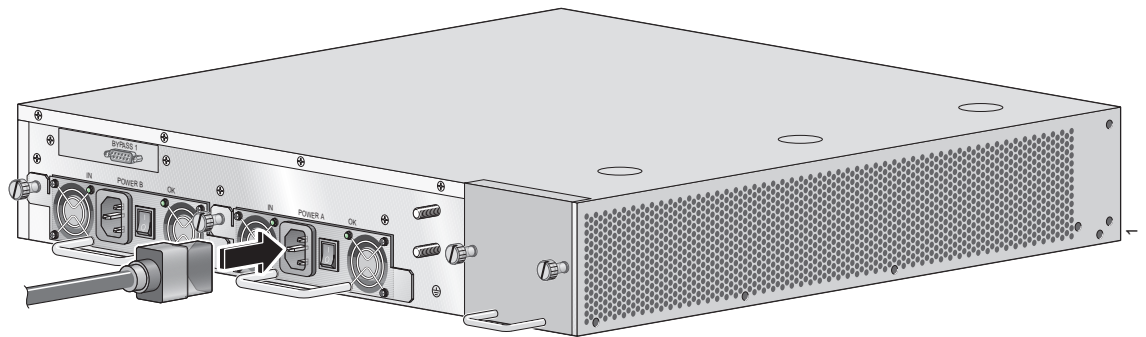
210421.eps



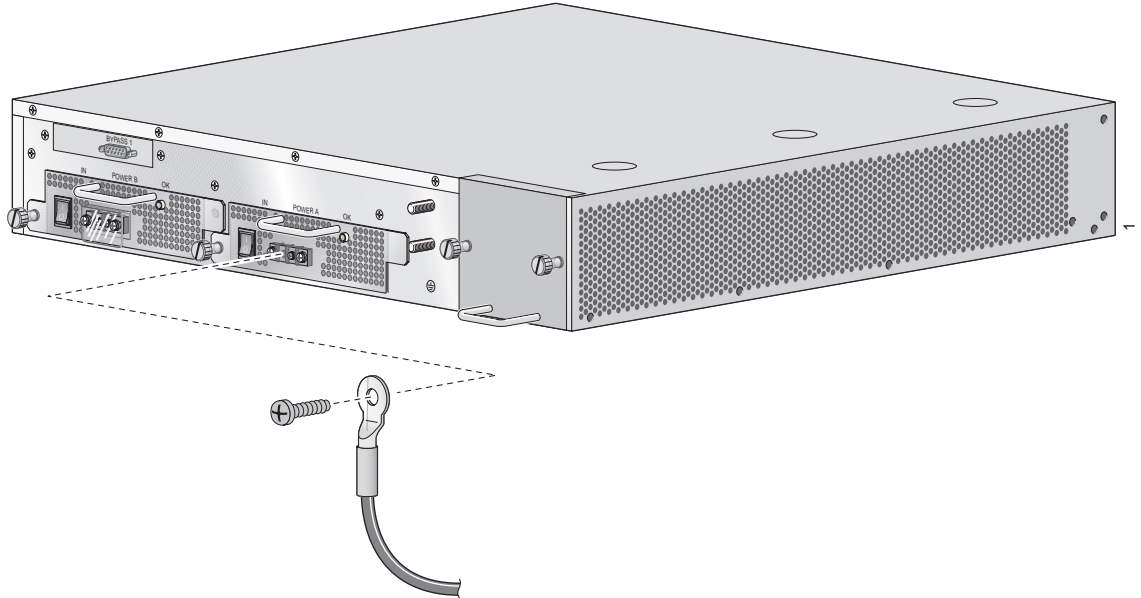
210422.eps



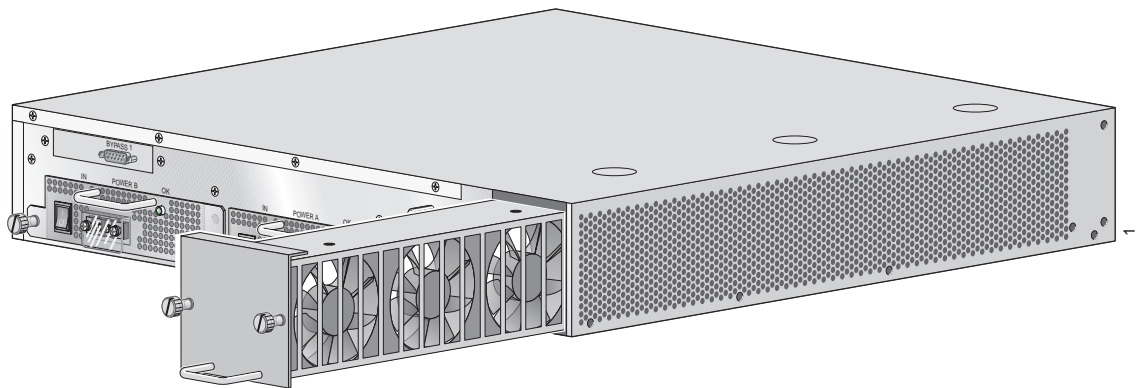
210423.eps



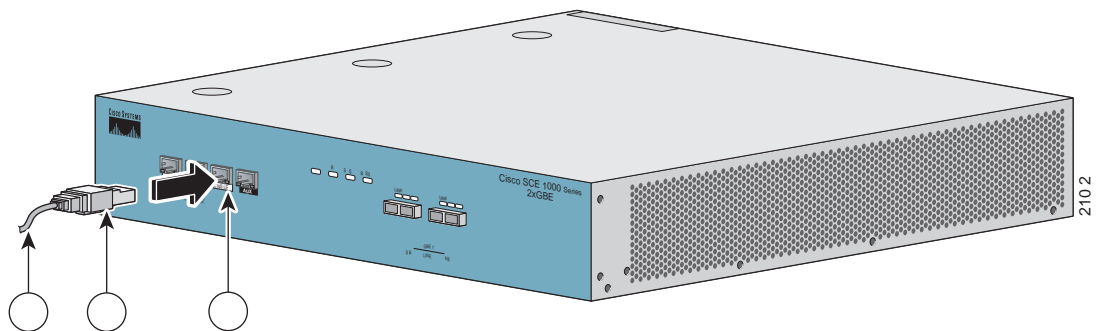
210424.eps



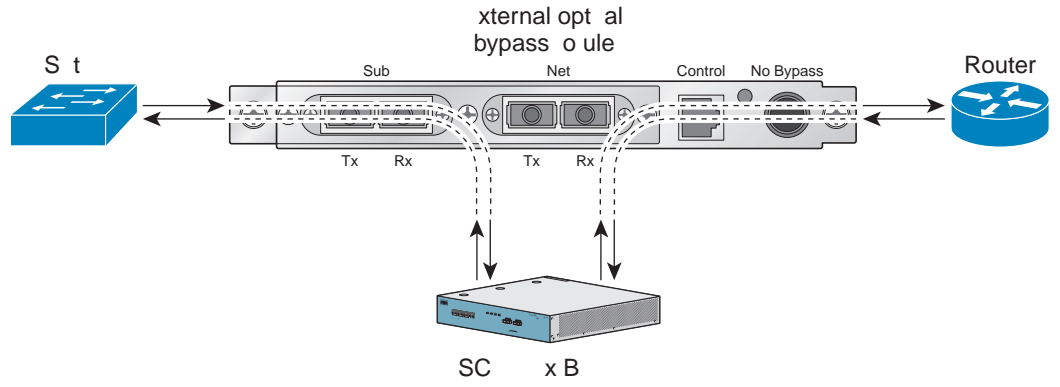
210425.eps



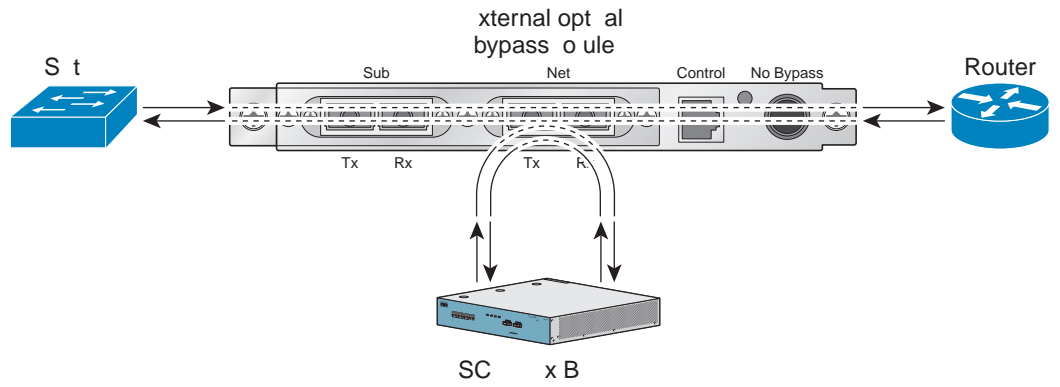
210426.eps



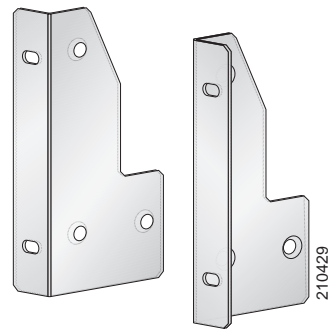
210427.eps



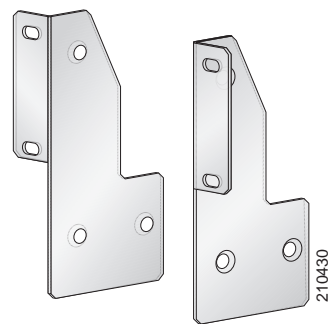
210428.eps



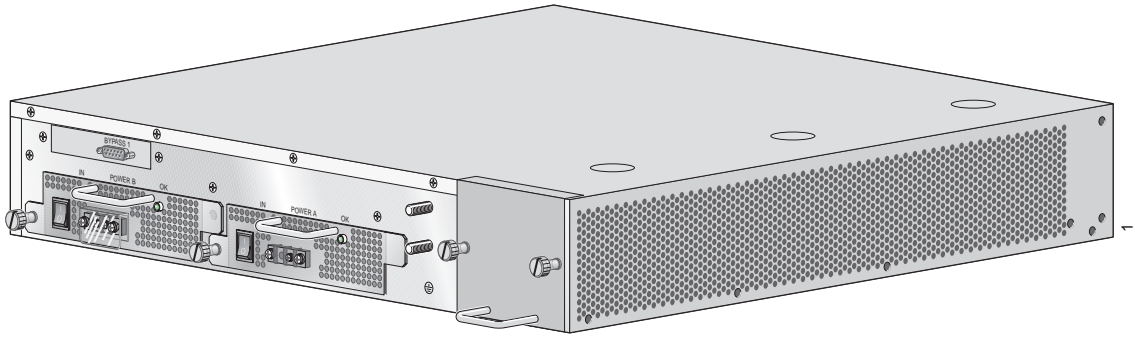
210429.eps



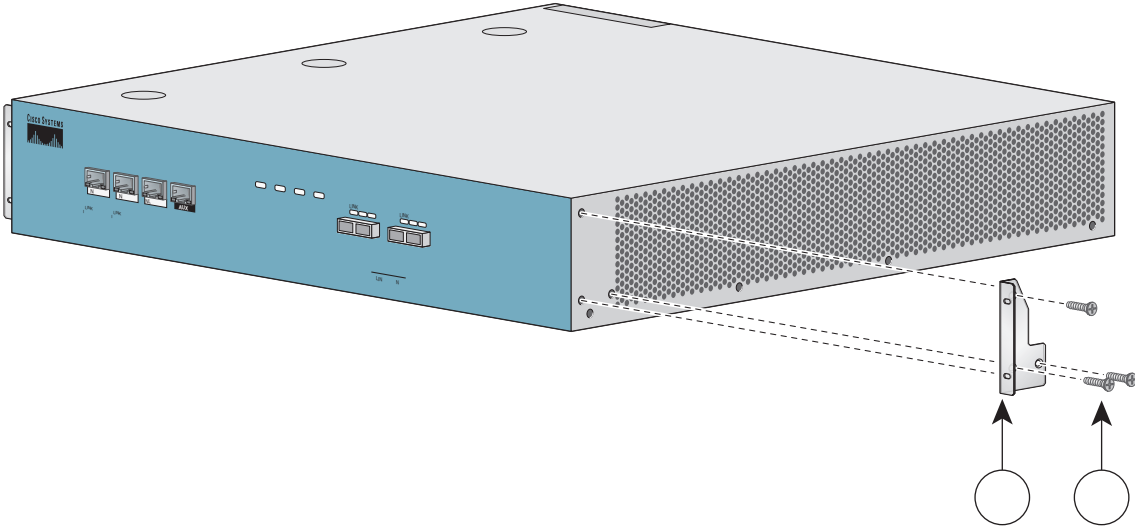
210430.eps



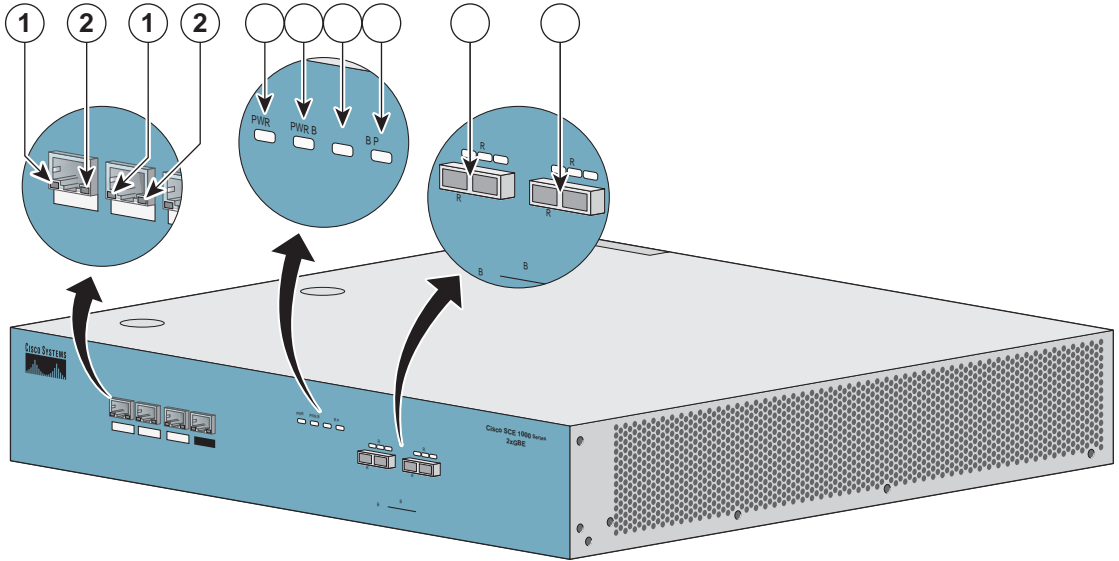
210602.eps



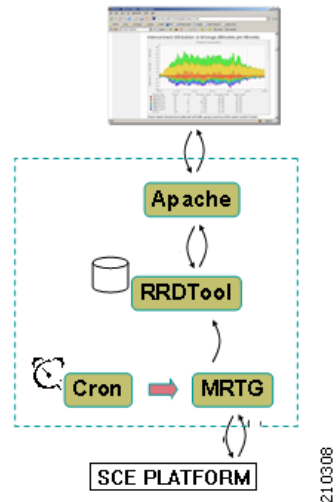
210603.eps



92845.ps



210308.tif

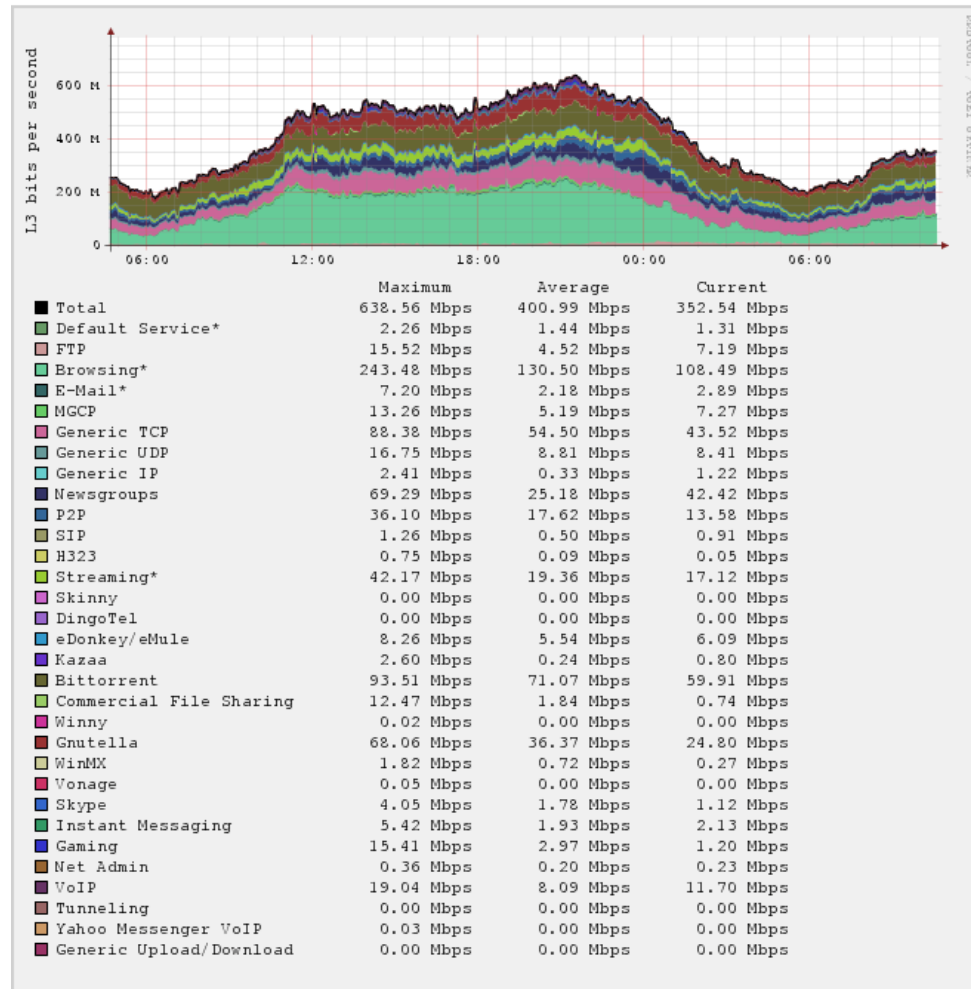


210309.tif

SCE @ 10.10.10.10 - Total Global Downstream BW per Service

Created: Mon Nov 06 17:59:33 2006 ; Refreshed every 5 minutes.

"Daily" Graph (5 Minute Average)



210309

210311.tif

SCE @ 10.10.10.10

- [Link 1 Global Downstream BW per Service](#)
- [Link 1 Global Upstream BW per Service](#)
- [Link 2 Global Downstream BW per Service](#)
- [Link 2 Global Upstream BW per Service](#)
- [Total Global Downstream BW per Service](#)
- [Total Global Upstream BW per Service](#)
- [Global Active Subscribers per Service](#)
- [Global Concurrent Sessions per Service](#)
- [Global Concurrent Voice Calls](#)
- [Log Counters](#)
- [Active Flows per Traffic Processor](#)
- [Traffic Processors Average Utilization](#)
- [Flow Open Rate per Traffic Processor](#)
- [Packets Rate per Traffic Processor](#)
- [Subscriber Counters](#)
- [RDR Counters](#)
- [Downstream Bandwidth per TX Queue](#)
- [Upstream Bandwidth per TX Queue](#)

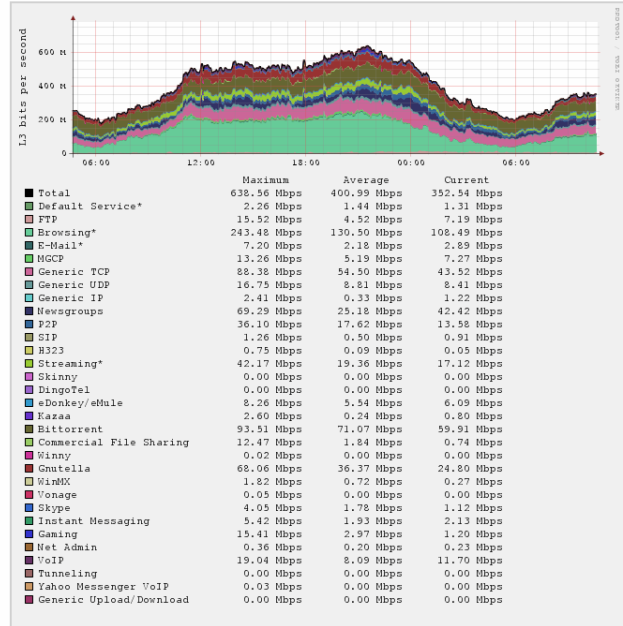


- [Daily](#)
- [Weekly](#)
- [Monthly](#)
- [Yearly](#)

SCE @ 10.10.10.10 - Total Global Downstream BW per Service

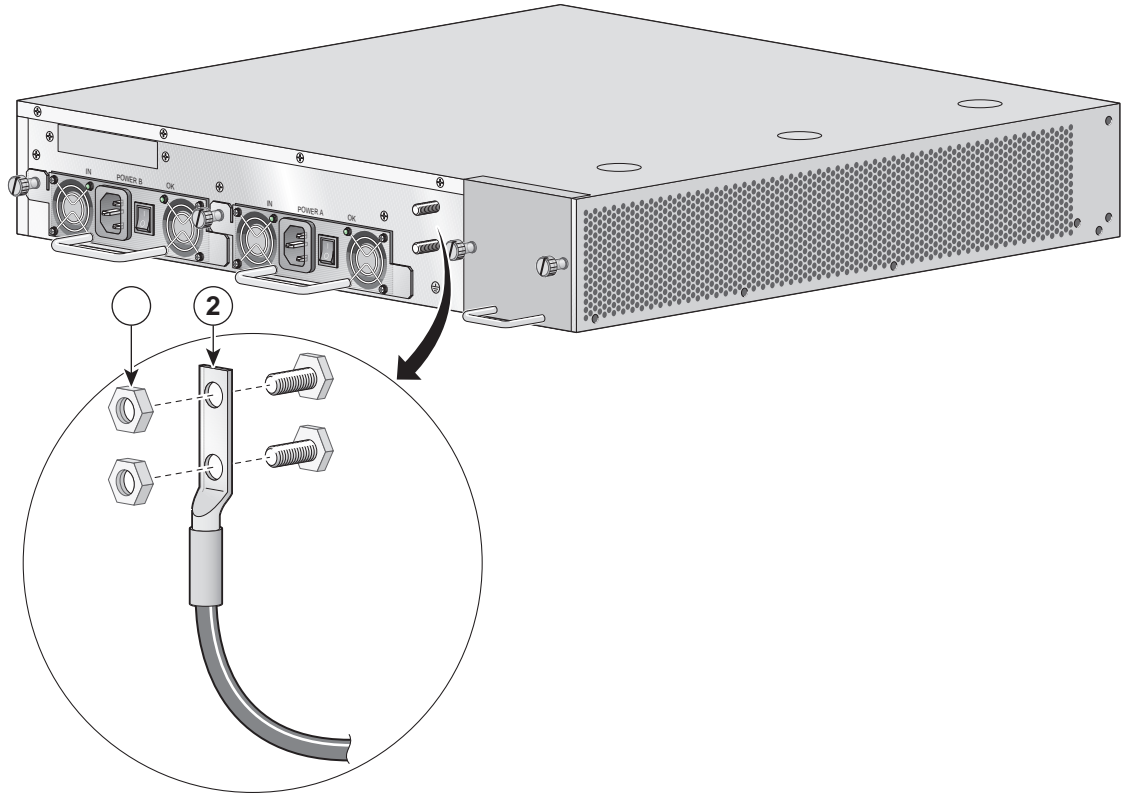
Created: Mon Nov 06 17:59:33 2006 ; Refreshed every 5 minutes.

"Daily" Graph (5 Minute Average)

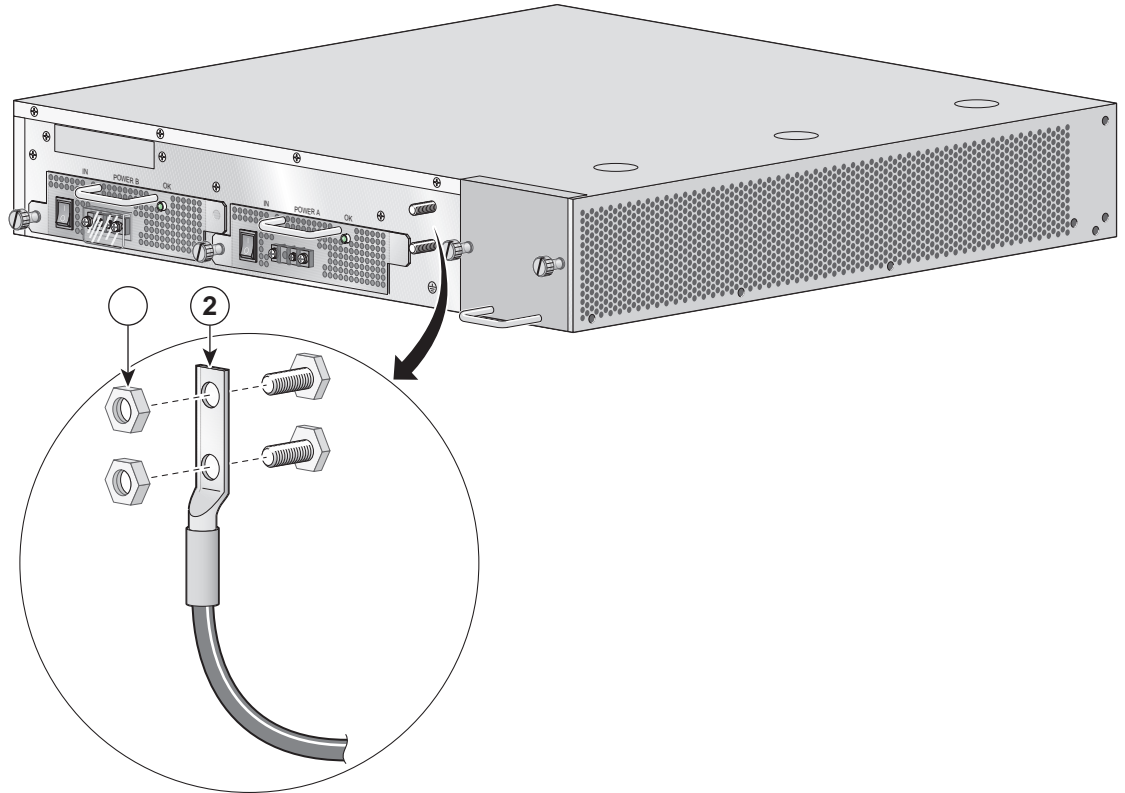


210311

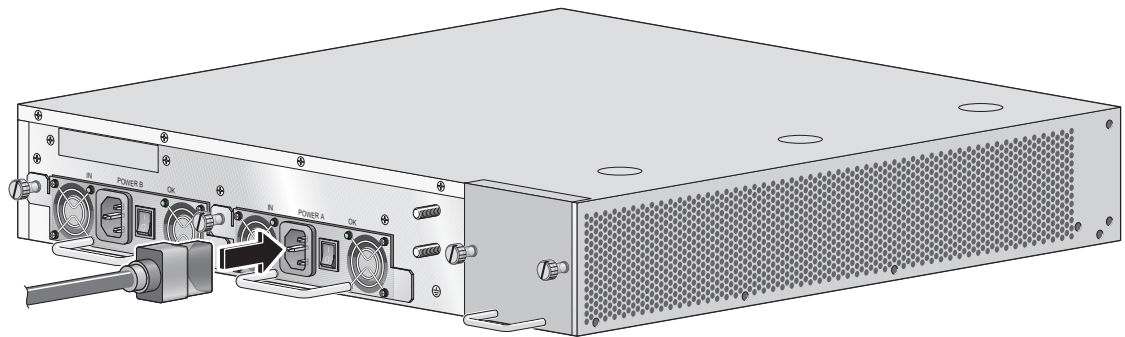
210412.eps



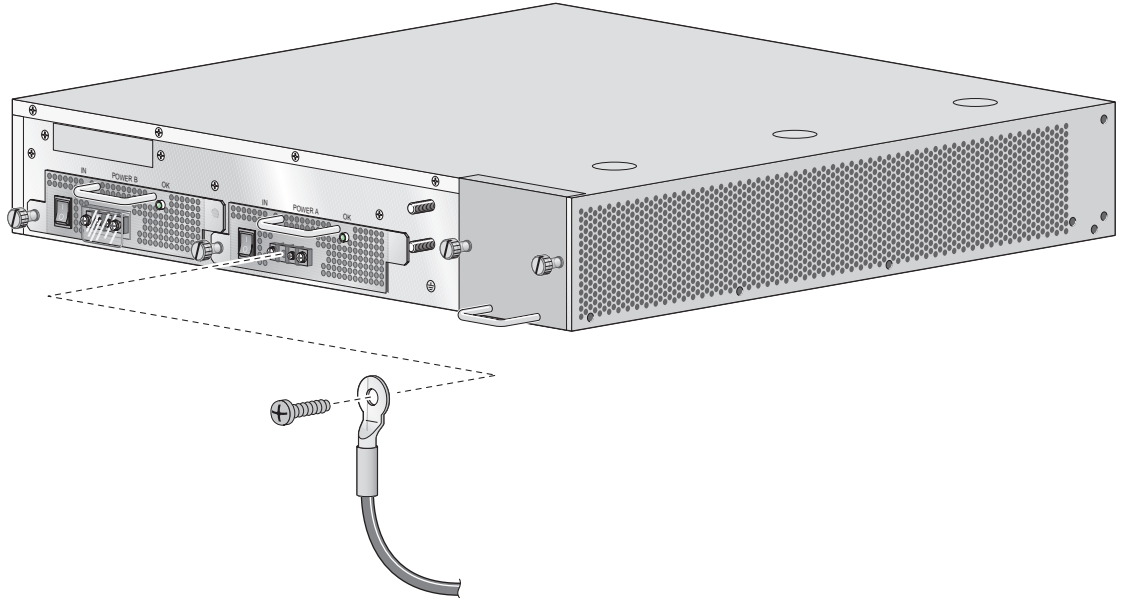
210413.eps



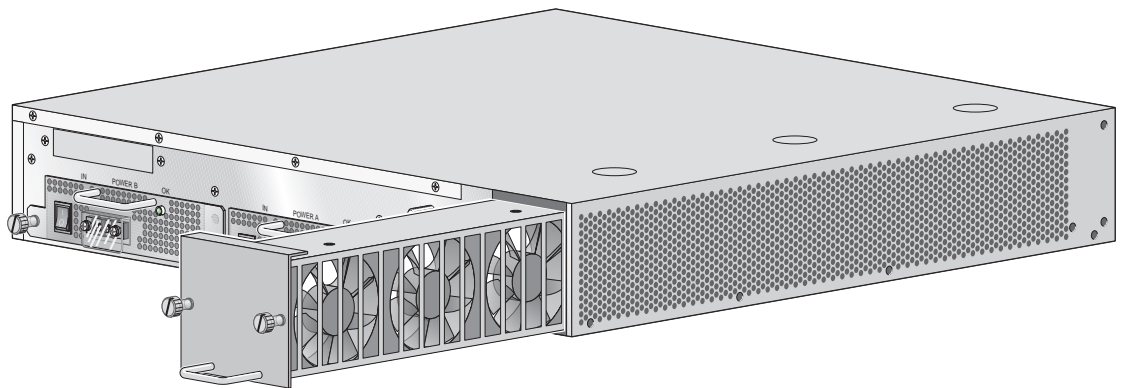
210414.eps



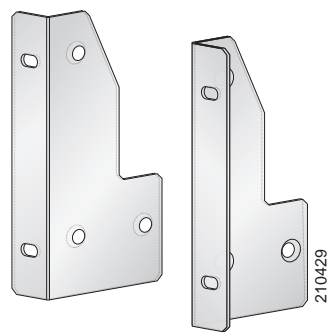
210415.eps



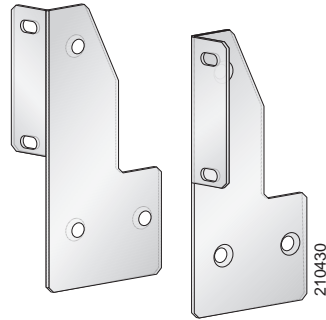
210416.eps



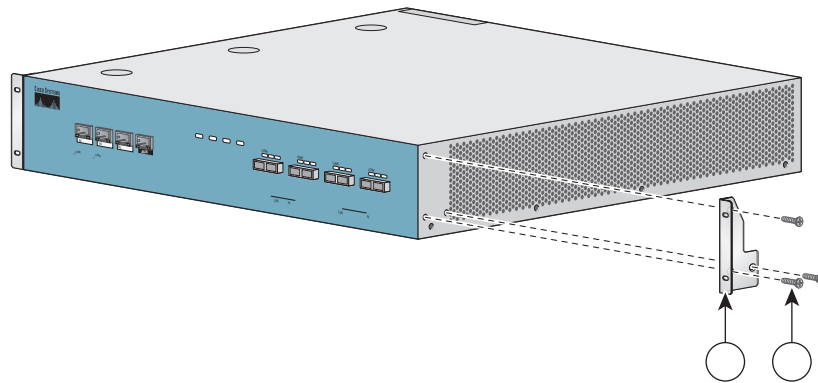
210429.eps



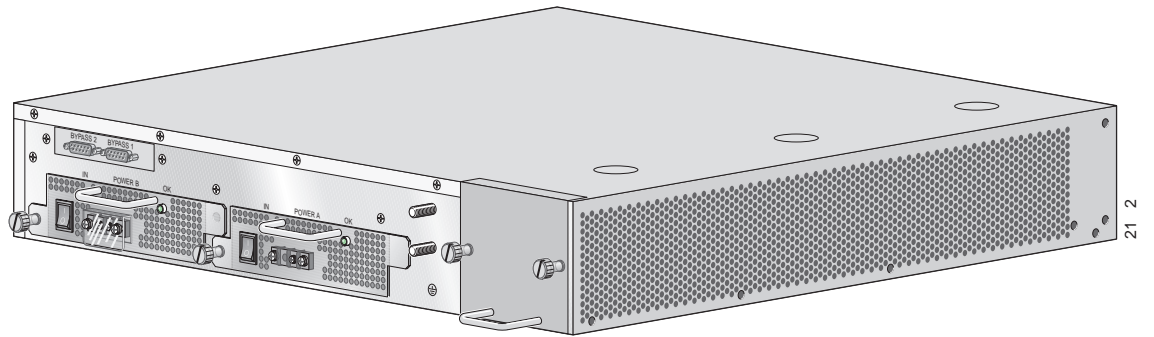
210430.eps



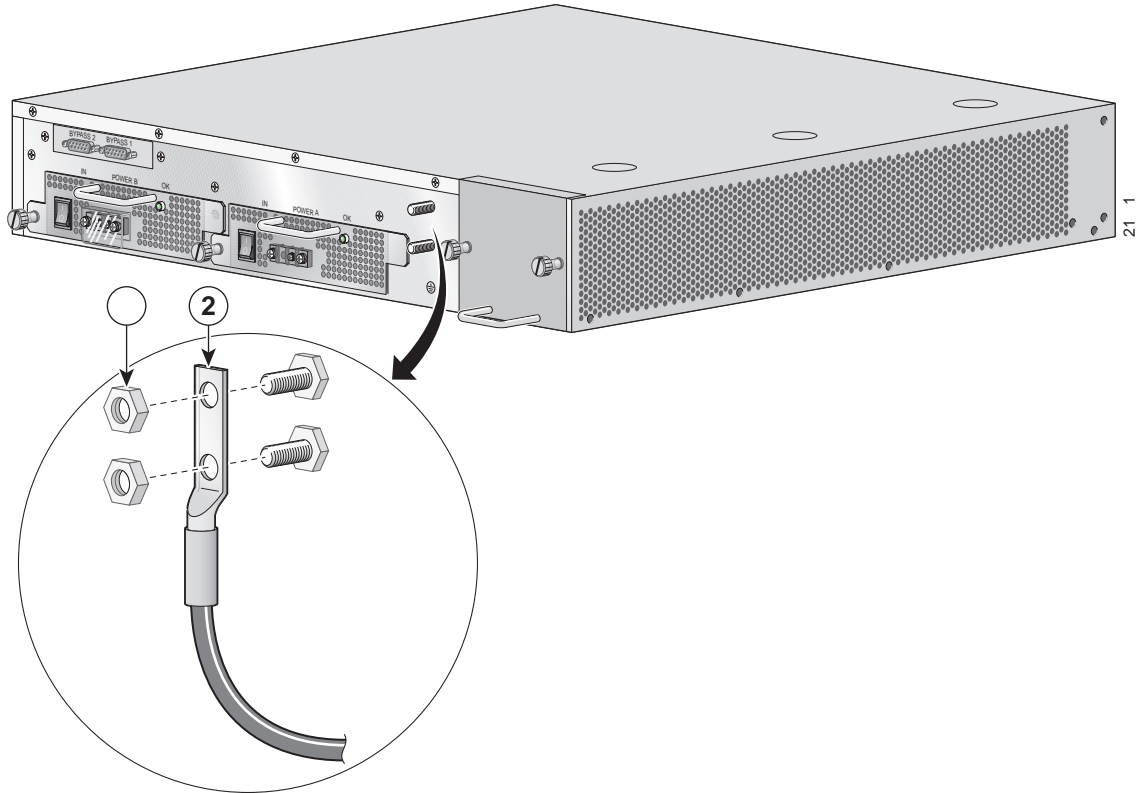
210431.eps



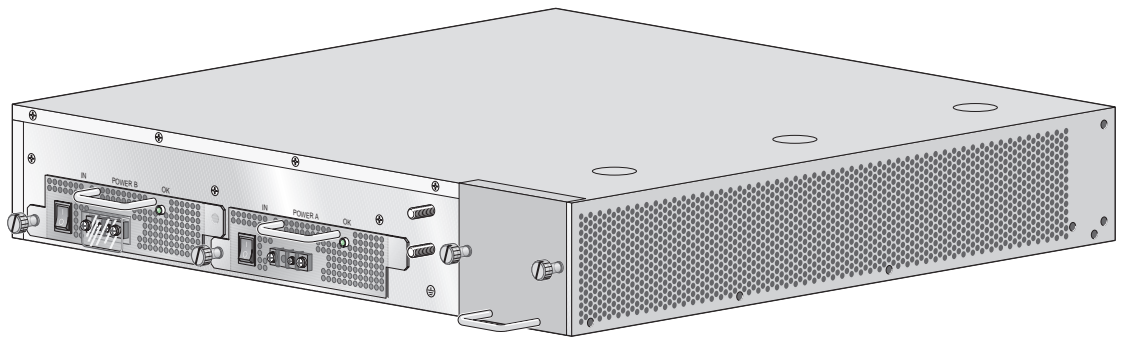
210432.eps



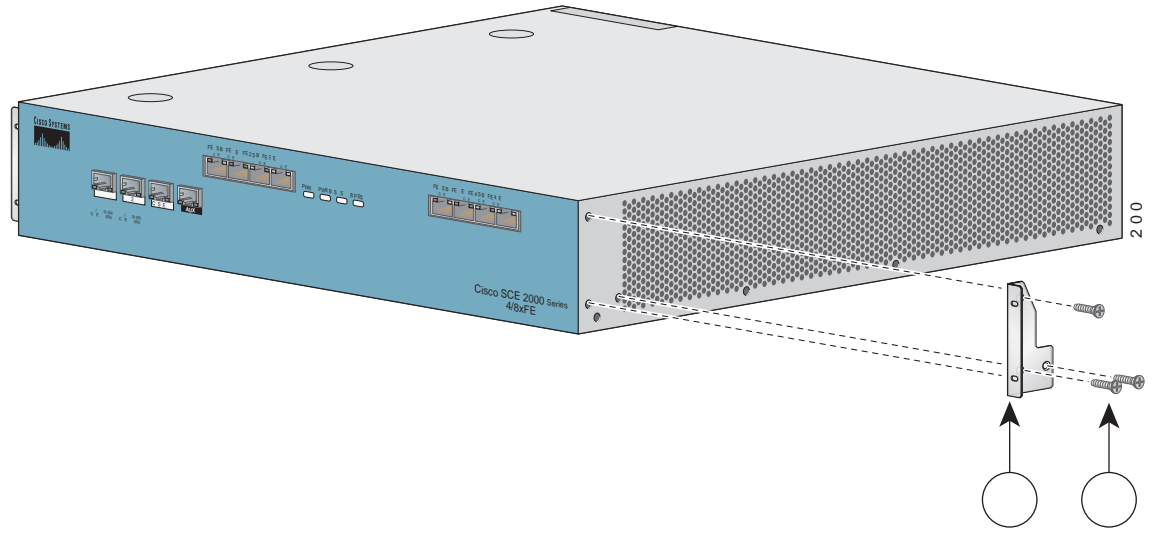
210601.eps



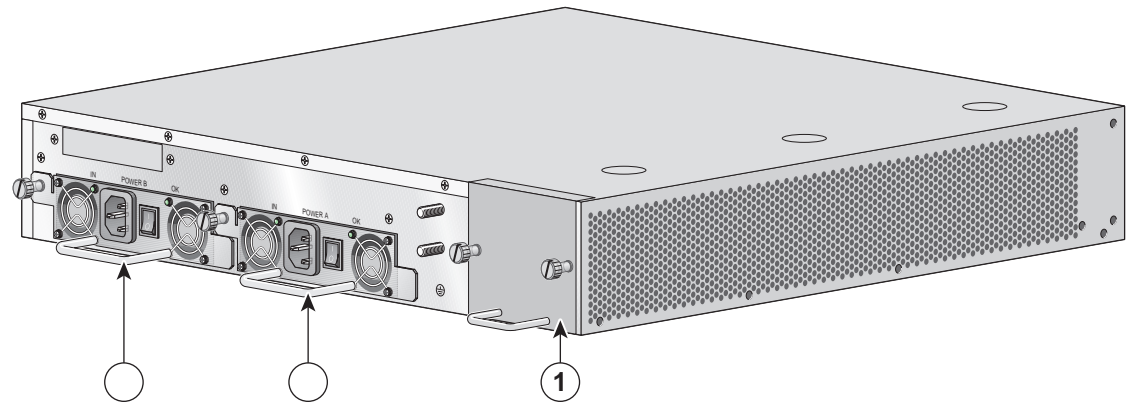
210604.eps



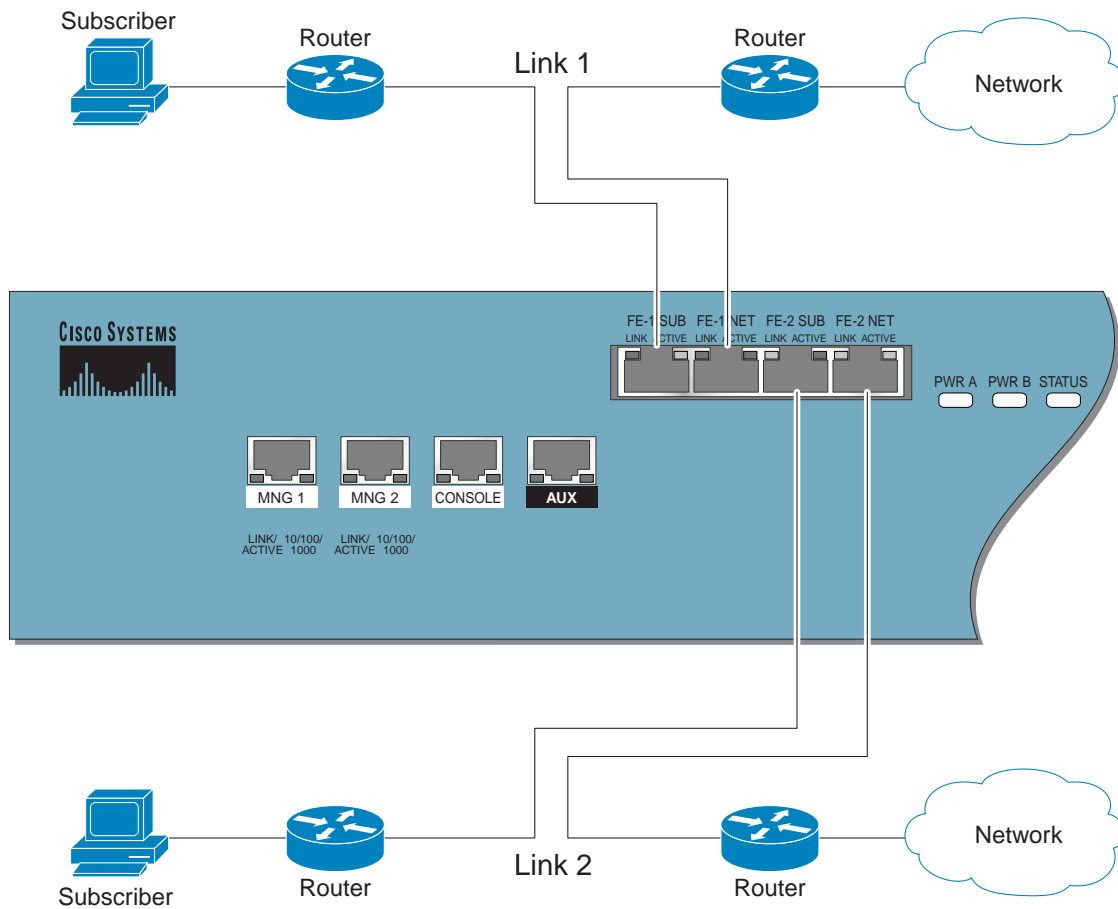
210605.eps



210411.eps



92843.eps



158746.tif

Select an upstream Bandwidth Controller: Default Upstream BWC

Select a downstream Bandwidth Controller: Default Upstream BWC:

- Limit the flow's upstream bandwidth to
- Limit the flow's downstream bandwidth to Kbps

Default Upstream BWC:
 PIR = Unlimited
 CIR = 0 Kbps
 Global Controller = Default Global Controller
 Assurance Level = 1

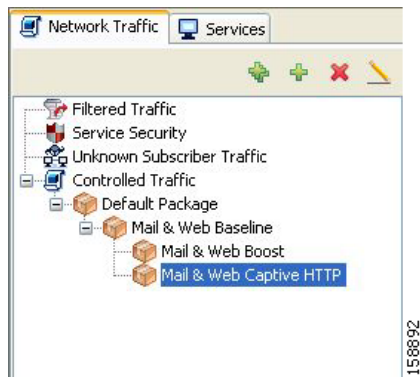
158848.tif

Name	Link 1 BW (%)
Downstream Total Link Limit	100
Default Global Controller	100
Downstream Controller 1	40,,,100

210006.tif



158892.tif



211029.tif



